



**\$ MILLIONS  
SAVED**

Trusted by  
ASX & Fortune  
500 Companies

CERTIFIED



# Swivelpole™

## LOWERING POLE SOLUTIONS

CATALOG 2025/26

NEC

STANDARD PRODUCT RANGE



Cover image courtesy of Alimak

**PROVIDING INNOVATIVE LOWERING POLE SOLUTIONS FOR LIGHTING AND  
POLE MOUNTED EQUIPMENT FOR OVER 25 YEARS!**



Image courtesy of Woodside

## **SOLUTIONS FOR RETROFITTING EXISTING HANDRAIL MOUNTED POLES TO LOWERING POLES AND COMPLETE POLES FOR NEW BUILDS.**

### **PROBLEM**



### **SOLUTION**



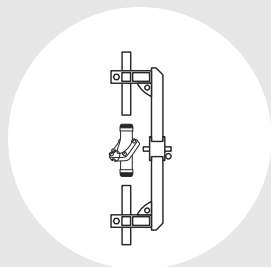
## CONTENTS

---



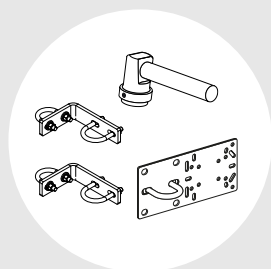
### NEW BUILD (GREENFIELDS)

New Build Solutions	5
New Build Solutions - Standard Product Range	6
New Build Solutions - Standard Product Range with High Vibration Pole Tops (HVPT)	8
Stanchion or Stanchion & Structure Mounted	9
Structure Mounted	11
Column/Wall Mounted	15
Horizontal Outreach (H-Series)	17
High Vibration Pole Top (HVPT Series)	18
Floor/Ground Mounted	19



### RETROFIT (BROWNFIELDS)

Retrofit Solutions	20
Retrofit Solutions - Standard Product Range	21
R1-Range Maxis™ joint only	22
R2-Range Maxis™ joint with pole top	23
Maxis™ joint with high vibration pole top	24
Pole Conversion Tool Kit (PCTK)	25



### RELATED PRODUCTS

Mounting Bracket Kits	26
Luminaire Mounting Kits	28
Junction Box Plate Kits	29
Appendix: Technical Specifications	30

Solutions for all applications

# Swivelpole™

Safely access any fixtures  
in seconds for fast and  
affordable inspection,  
maintenance and upgrades

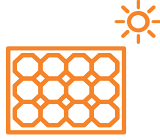
## INDUSTRIAL COMMERCIAL DOMESTIC



Lighting



CCTV



Solar Panels



Sirens & Alarms



Networking



Instruments & more

### Benefits



Cast steel joint  
with minimal  
moving parts



Suitable for  
hazardous  
locations & harsh  
environments



Multiple product  
configurations to  
suit a range of  
requirements



Superior 45°  
lowering pole  
technology



The only solution  
for converting  
existing rigid  
poles to  
lowering poles

## SAVE MILLIONS

Do the math - multiply your cost of access without a Swivelpole™ times the amount of poles you have.

### DID YOU KNOW?

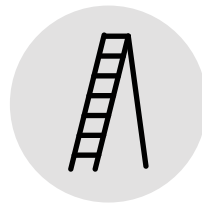
It's cheaper to install  
a Swivelpole than  
build a scaffold



SCAFFOLD



E.W.P.



LADDER



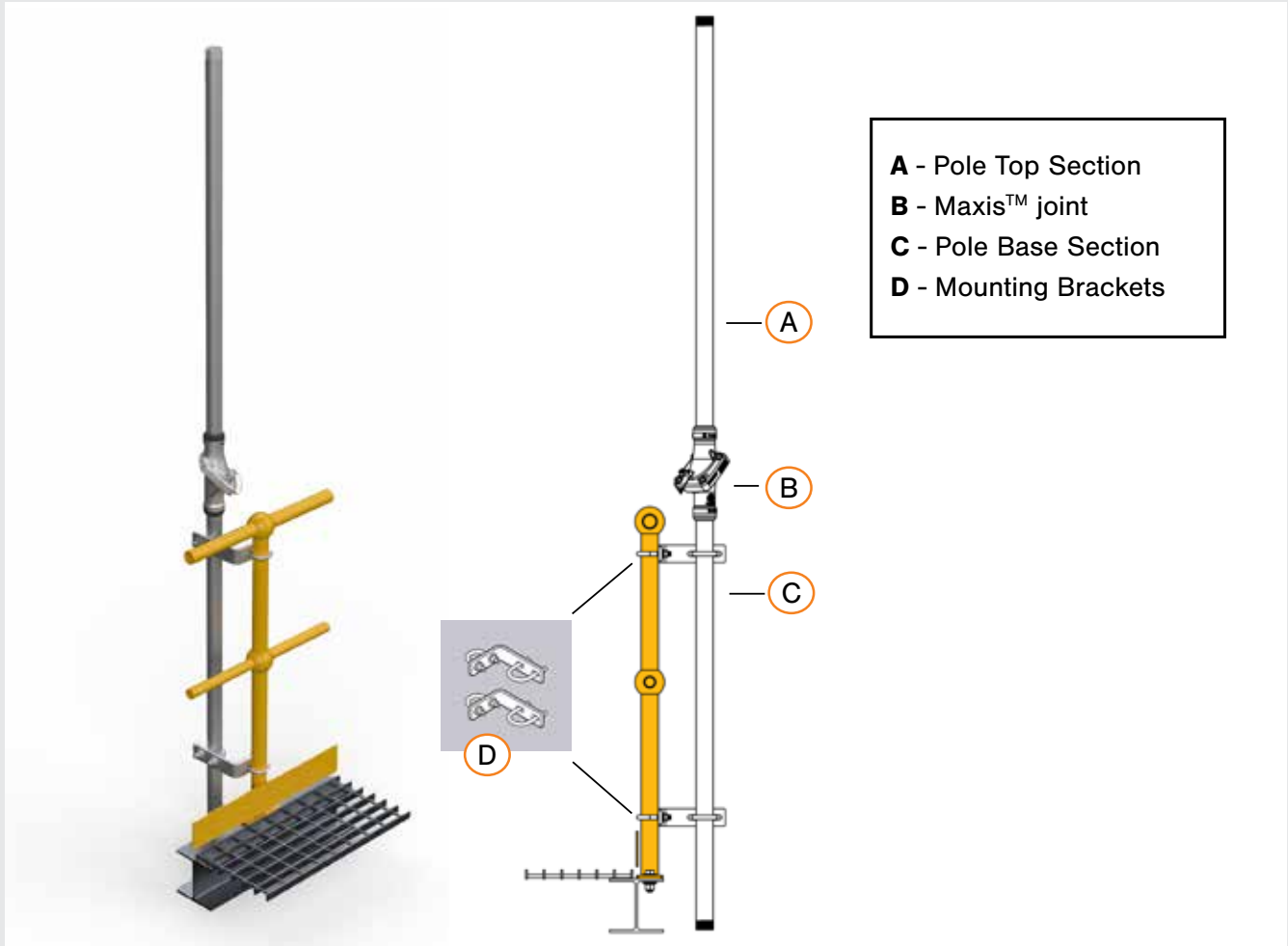
Swivelpole™



# NEW BUILD SOLUTIONS

An entire lowering pole with optional accessories such as mounting brackets, luminaire mounts and junction box plates.

## COMPLETE/FULL POLE SOLUTION - OVERVIEW



## INDUSTRIES



Mining & Metals



Oil & Gas  
Onshore & Offshore



Power Generation



Water & Waste



Infrastructure



Food & Beverage



Chemicals

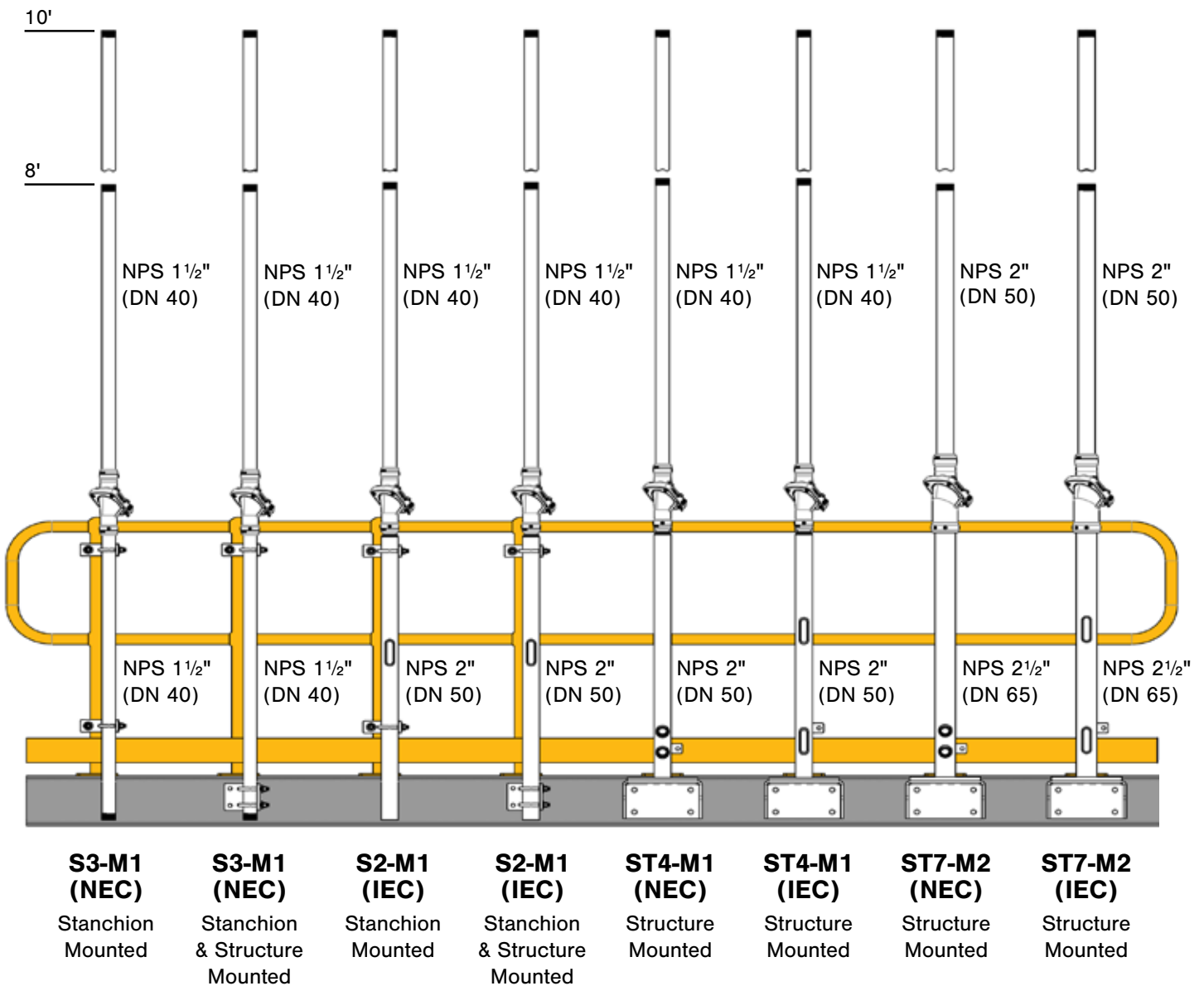


Renewables

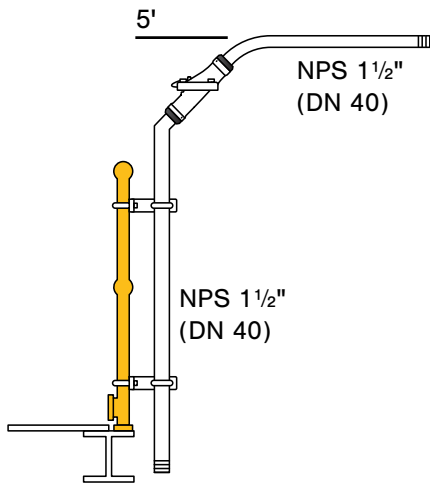


Fertilizer

# Swivelpole™ Standard Product Range - New Build Solutions



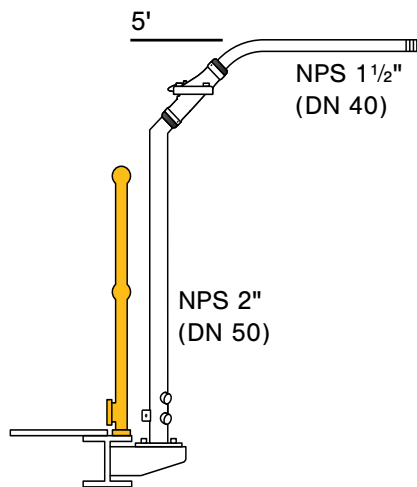
# Swivelpole™ Standard Product Range - New Build Solutions



**H3-M1  
(NEC)**

Stanchion or Stanchion &  
Structure Mounted

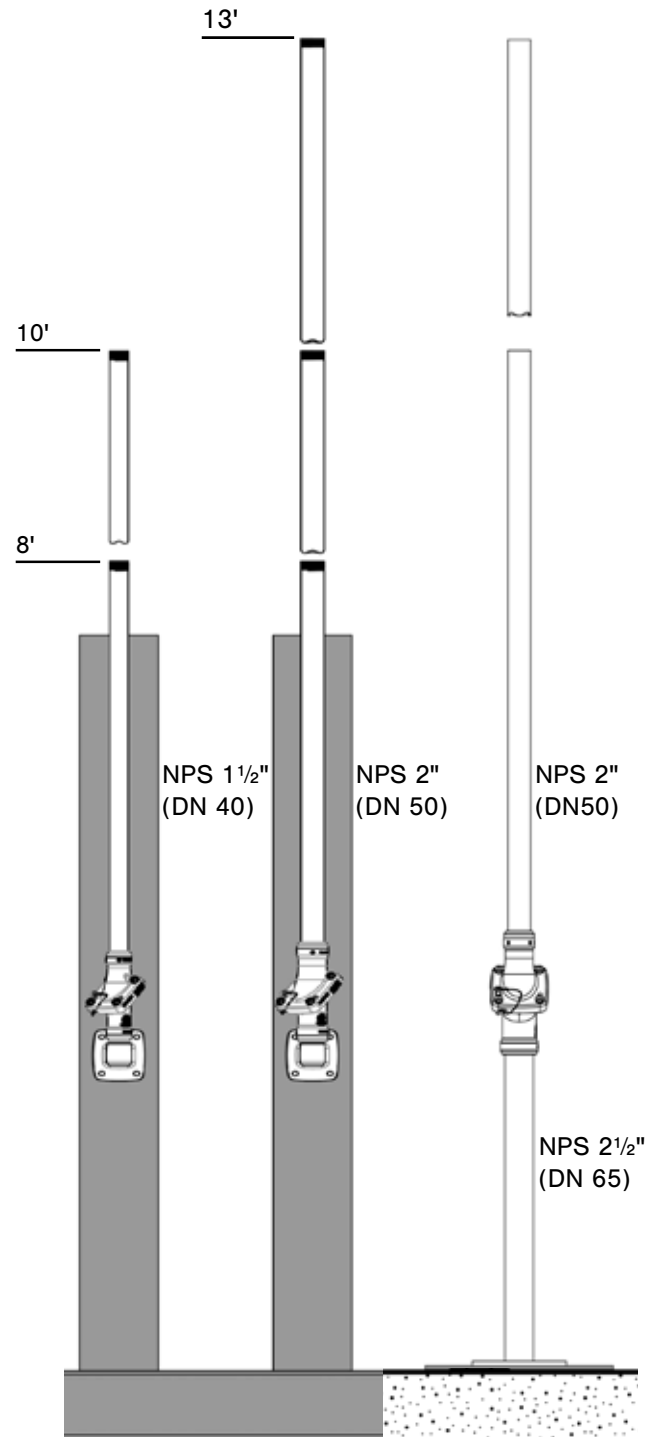
**Horizontal Outreach**



**HST4-M1  
(NEC)**

Structure Mounted

**Horizontal Outreach**



**C1-M1  
(NEC)**

Column/Wall  
Mounted

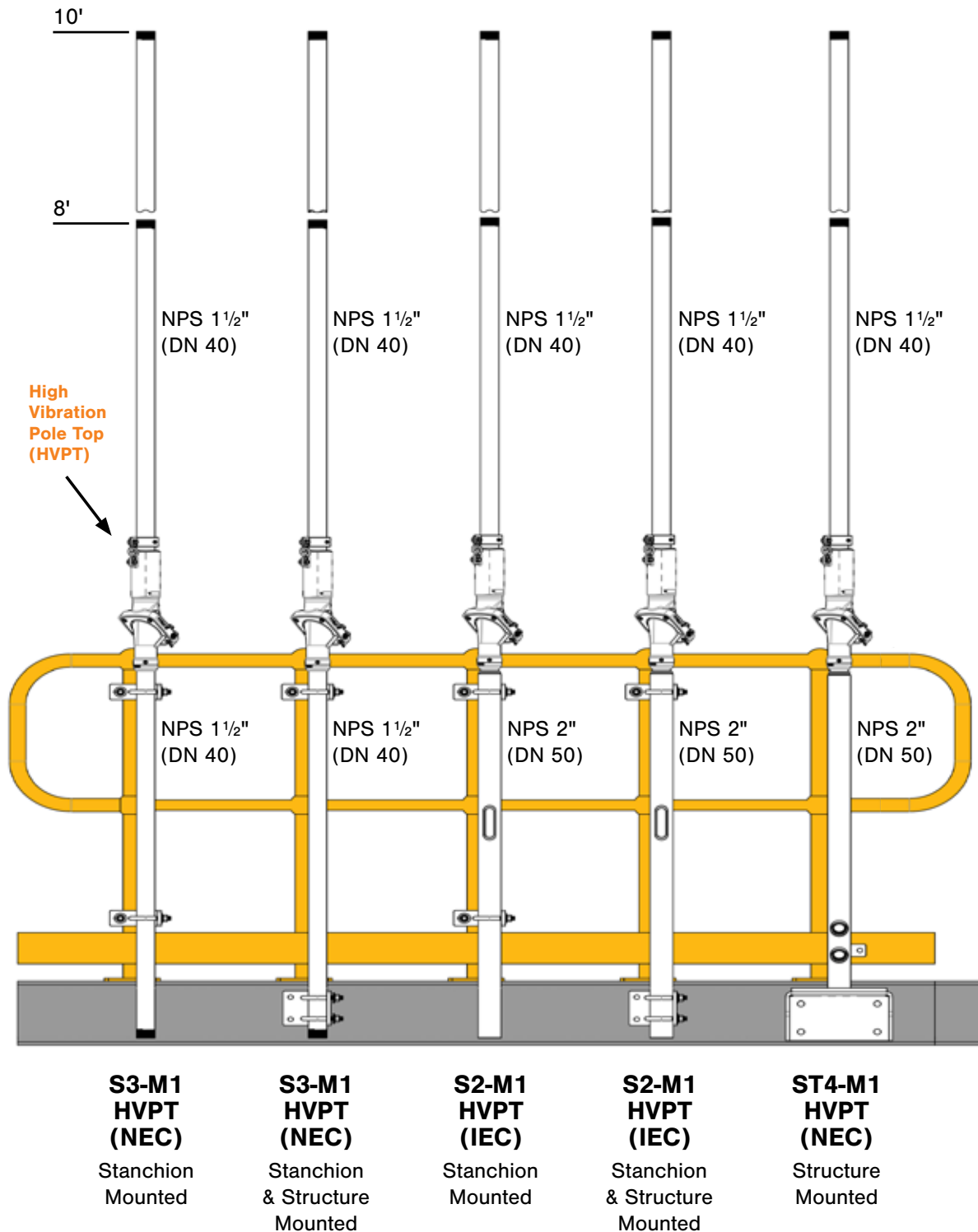
**C2-M2  
(NEC)**

Column/Wall  
Mounted

**F7-M2  
(IEC)**

Floor/Ground  
Mounted

# Swivelpole™ Standard Product Range - New Build Solutions with High Vibration Pole Tops (HVPT)



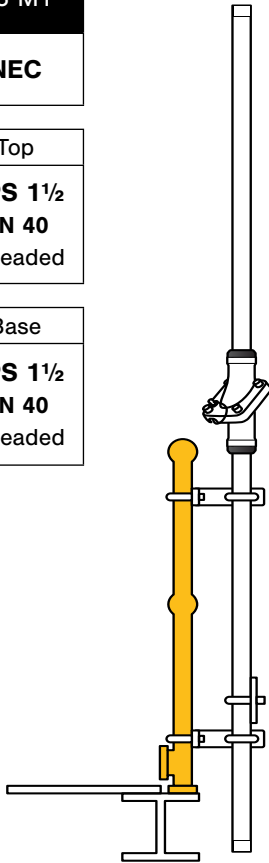
# Swivelpole™ S3 M1

## Stanchion or Stanchion & Structure Mounted

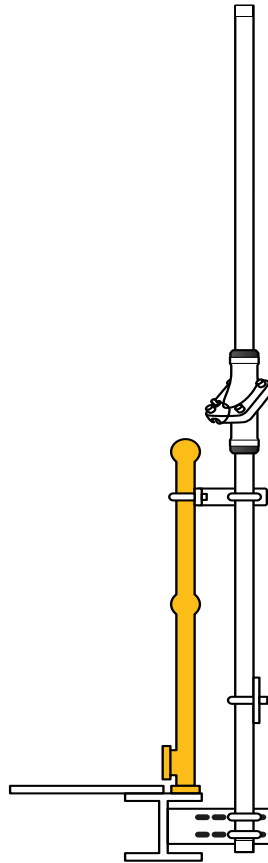
**New Build**

**8ft - 10ft**

<b>S3 M1</b>
<b>NEC</b>
Top
<b>NPS 1½</b> <b>DN 40</b> Threaded
Base
<b>NPS 1½</b> <b>DN 40</b> Threaded



**S3 M1**  
Stanchion  
Mounted



**S3 M1**  
Stanchion  
& Structure  
Mounted

**Designed for installation in accordance with NEC standards**

### Aluminum Option

Light weight - reduced stress on stanchion, corrosion free, cost effective, and suitable for all wind regions.

### Applications

Ideal for lighting on walkways, platforms, stairways, spiral stairways, roof tops, and conveyors.

### Related Products

For optional accessories, see pages 26 - 29.

### ORDERING INFORMATION

#### Swivelpole™ S3 M1

Installed height	Weight (lb)	Pole top/base finish	Product code
8'	19.8	AL	S3-M1-2400-T-AL
10'	22.0	AL	S3-M1-3000-T-AL
8'	31.7	HG	S3-M1-2400-T-HG
10'	36.1	HG	S3-M1-3000-T-HG
8'	33.0	SS	S3-M1-2400-T-SS
10'	37.7	SS	S3-M1-3000-T-SS

HG - Hot-dip Galvanized AL - Aluminum SS - Stainless Steel All dimensions are nominal, in imperial sizes

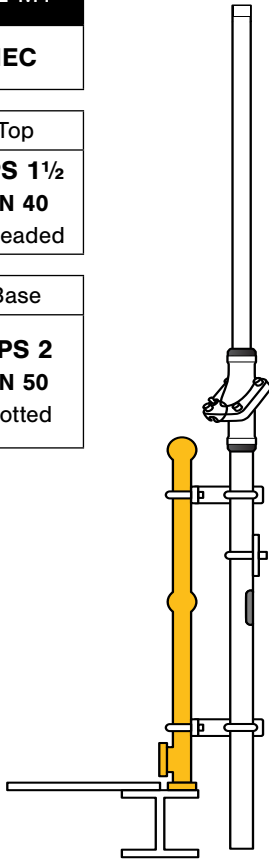
# Swivelpole™ S2 M1

## Stanchion or Stanchion & Structure Mounted

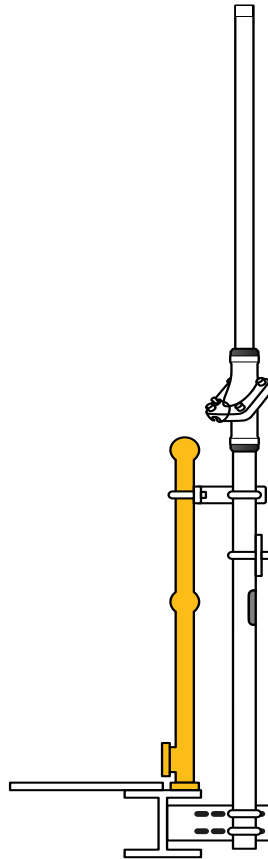
**New Build**

**8ft - 10ft**

<b>S2 M1</b>
<b>IEC</b>
Top
<b>NPS 1½</b> <b>DN 40</b> Threaded
Base
<b>NPS 2</b> <b>DN 50</b> Slotted



**S2 M1**  
Stanchion  
Mounted



**S2 M1**  
Stanchion  
& Structure  
Mounted

**Designed for installation in accordance with IEC standards**

**Applications**

Ideal for lighting on walkways, platforms, stairways, spiral stairways, and conveyors.

**Related Products**

For optional accessories, see pages 26 - 29.

**ORDERING INFORMATION**

**Swivelpole™ S2 M1**

Installed height	Weight (lb)	Pole top/base finish	Product code
8'	35.9	HG	S2-M1-2400-T-HG
10'	40.3	HG	S2-M1-3000-T-HG
8'	37.2	SS	S2-M1-2400-T-SS
10'	41.8	SS	S2-M1-3000-T-SS

HG - Hot-dip Galvanized SS -Stainless Steel All dimensions are nominal, in imperial sizes

# Swivelpole™ ST4 M1

## Structure Mounted

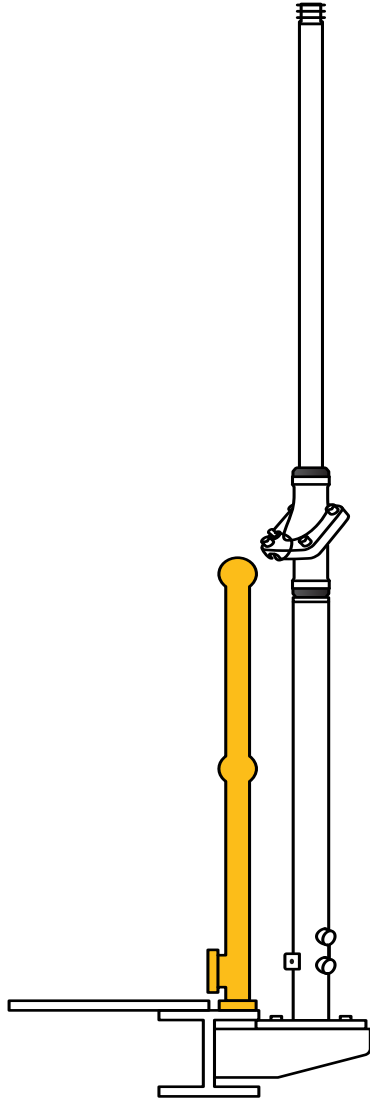
**New Build**

**8ft - 10ft**

**ST4 M1**  
**NEC**

Top  
**NPS 1½**  
**DN 40**  
Threaded

Base  
**NPS 2**  
**DN 50**  
Conduit  
entries



**Designed for installation in accordance with NEC standards**

### Applications

Ideal for lighting on walkways, platforms, stairways, and cooling towers.

### Related Products

For optional accessories, see pages 26 - 29.

## ORDERING INFORMATION

### Swivelpole™ ST4 M1

Installed height	Weight (lb)	Pole top/base finish	Product code
8'	48.4	HG	ST4-M1-2400-T-NCT-HG
10'	54.8	HG	ST4-M1-3000-T-NCT-HG
8'	50.2	SS	ST4-M1-2400-T-NCT-SS
10'	54.8	SS	ST4-M1-3000-T-NCT-SS

HG - Hot-dip Galvanized SS - Stainless Steel All dimensions are nominal, in imperial sizes

# Swivelpole™ ST4 M1

## Structure Mounted

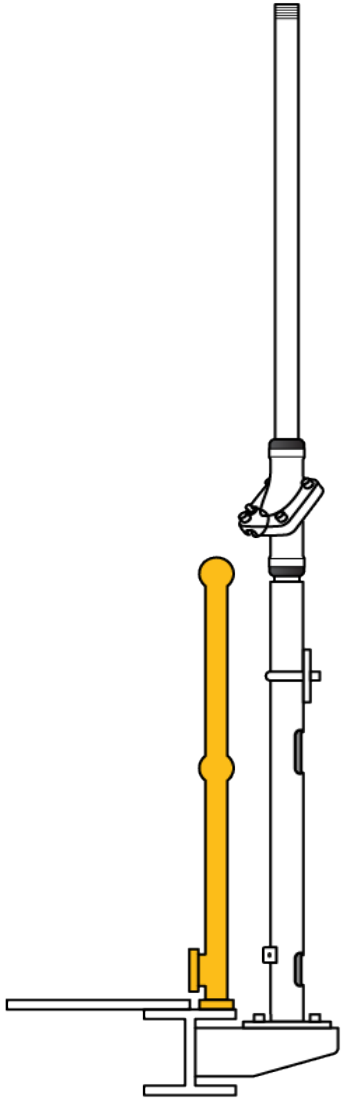
New Build

8ft - 10ft

**ST4 M1**  
IEC

Top  
**NPS 1½**  
**DN 40**  
Threaded

Base  
**NPS 2**  
**DN 50**  
Slotted



**Designed for installation in accordance with IEC standards**

**Applications**

Ideal for lighting on walkways, platforms, stairways, and cooling towers.

**Related Products**

For optional accessories, see pages 26 - 29.

**ORDERING INFORMATION**

**Swivelpole™ ST4 M1**

Installed height	Weight (lb)	Pole top/base finish	Product code
8'	47.5	HG	ST4-M1-2400-T-HG
10'	52.1	HG	ST4-M1-3000-T-HG
8'	49.3	SS	ST4-M1-2400-T-SS
10'	53.9	SS	ST4-M1-3000-T-SS

HG - Hot-dip Galvanized SS - Stainless Steel All dimensions are nominal, in imperial sizes

# Swivelpole™ ST7 M2

## Structure Mounted

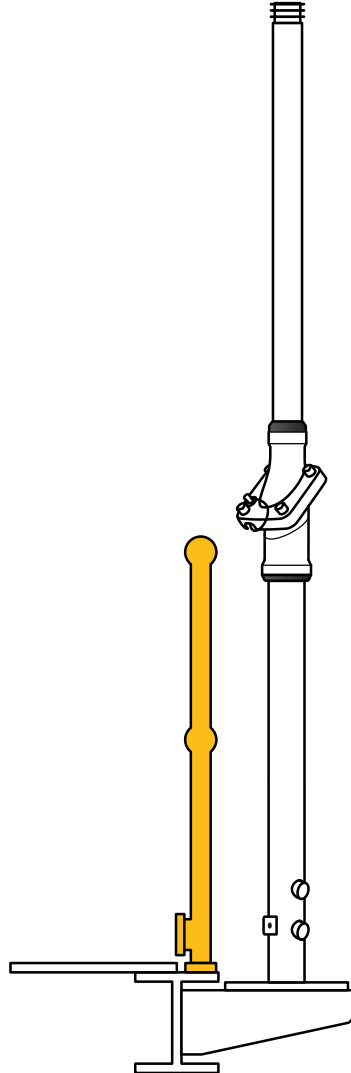
New Build

8ft - 10ft

**ST7 M2**  
**NEC**

Top  
**NPS 2**  
**DN 50**  
Threaded

Base  
**NPS 2½**  
**DN 65**  
Conduit  
entries



**Designed for installation in accordance with NEC standards**

### Applications

Ideal for lighting on walkways, platforms, stairways, and cooling towers.

### Related Products

For optional accessories, see pages 26 - 29.

### ORDERING INFORMATION

#### Swivelpole™ ST7 M2

Installed height	Weight (lb)	Pole top/base finish	Product code
8'	36.8	AL	ST7-M2-2400-T-NCT-AL
10'	40.0	AL	ST7-M2-3000-T-NCT-AL
8'	69.3	HG	ST7-M2-2400-T-NCT-HG
10'	76.0	HG	ST7-M2-3000-T-NCT-HG
8'	73.0	SS	ST7-M2-2400-T-NCT-SS
10'	80.3	SS	ST7-M2-3000-T-NCT-SS

HG - Hot-dip Galvanized AL - Aluminum SS - Stainless Steel All dimensions are nominal, in imperial sizes

# Swivelpole™ ST7 M2

## Structure Mounted

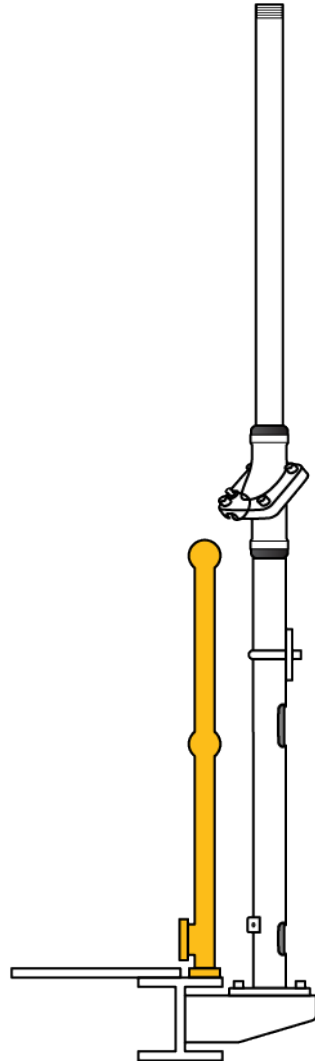
New Build

8ft - 10ft

**ST7 M2**  
IEC

Top  
**NPS 2  
DN 50**  
Threaded

Base  
**NPS 2½  
DN 65**  
Slotted



**Designed for installation in accordance with IEC standards**

### Applications

Ideal for lighting on walkways, platforms, stairways, and cooling towers.

### Related Products

For optional accessories, see pages 26 - 29.

### ORDERING INFORMATION

#### Swivelpole™ ST7 M2

Installed height	Weight (lb)	Pole top/base finish	Product code
8'	32.6	AL	ST7-M2-2400-T-AL
10'	35.2	AL	ST7-M2-3000-T-AL
8'	68.7	HG	ST7-M2-2400-T-HG
10'	75.3	HG	ST7-M2-3000-T-HG
8'	72.2	SS	ST7-M2-2400-T-SS
10'	79.4	SS	ST7-M2-3000-T-SS

HG - Hot-dip Galvanized AL - Aluminum SS - Stainless Steel All dimensions are nominal, in imperial sizes

# Swivelpole™ C1 M1

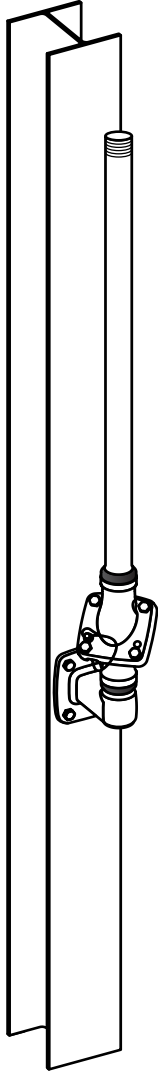
## Column/Wall Mounted

New Build

8ft - 10ft

C1 M1  
NEC

Top  
NPS 1½  
DN 40  
Threaded



**Designed for installation in accordance with NEC standards**

### Applications

Ideal for internal structure lighting, area lighting and sub-station walls.

### Related Products

For optional accessories, see pages 26 - 29.

### ORDERING INFORMATION

#### Swivelpole™ C1 M1

Installed height	Weight (lb)	Pole top/base finish	Product code
8'	27.9	HG	C1-M1-2400-T-HG
10'	32.3	HG	C1-M1-3000-T-HG
8'	22.0	AL	C1-M1-2400-T-HG-AL
10'	24.2	AL	C1-M1-3000-T-HG-AL
8'	29.9	SS	C1-M1-2400-T-SS
10'	34.5	SS	C1-M1-3000-T-SS

HG - Hot-dip Galvanized AL - Aluminum SS - Stainless Steel All dimensions are nominal, in imperial sizes

# Swivelpole™ C2 M2

## Column/Wall Mounted

New Build

8ft - 13ft

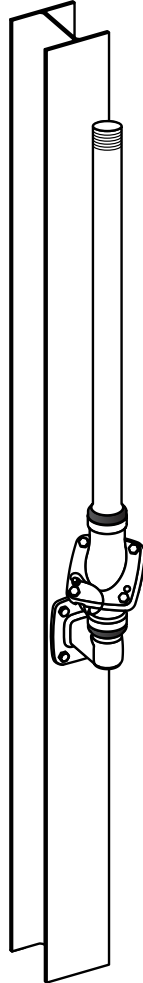
C2 M2

NEC

Top

NPS 2  
DN 50

Threaded



**Designed for installation in accordance with NEC standards**

### Applications

Ideal for internal structure lighting, area lighting and sub-station walls.

### Important information

2 person operation is recommended for poles over 10ft.

### Related Products

For optional accessories, see pages 26 - 29.

## ORDERING INFORMATION

### Swivelpole™ C2 M2

Installed height	Weight (lb)	Pole top/base finish	Product code
8'	36.7	HG	C2-M2-2400-T-HG
10'	43.3	HG	C2-M2-3000-T-HG
13'	54.3	HG	C2-M2-4000-T-HG
8'	29.0	AL	C2-M2-2400-T-HG-AL
10'	32.0	AL	C2-M2-3000-T-HG-AL
13'	36.5	AL	C2-M2-4000-T-HG-AL
8'	40.5	SS	C2-M2-2400-T-SS
10'	47.7	SS	C2-M2-3000-T-SS
13'	60.1	SS	C2-M2-4000-T-SS

HG - Hot-dip Galvanized AL - Aluminum SS-Stainless Steel All dimensions are nominal, in imperial sizes

# Swivelpole™ H-Series

## Horizontal Outreach

New Build

5ft

<b>H3 M1</b>	<b>HST4 M1</b>
<b>NEC</b>	<b>NEC</b>
Top	Top
<b>NPS 1½</b> <b>DN 40</b> Threaded	<b>NPS 1½</b> <b>DN 40</b> Threaded
Base	Base
<b>NPS 1½</b> <b>DN 40</b> Threaded	<b>NPS 2</b> <b>DN 50</b> Conduit Entries

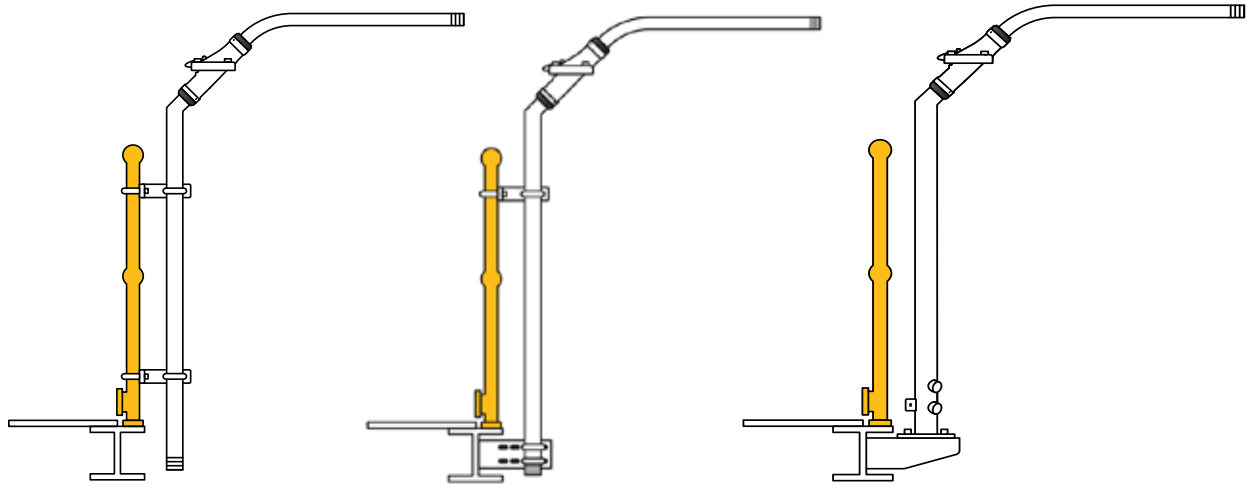
**Designed for installation in accordance with NEC standards**

### Applications

Ideal for lighting outside guardrails and below walkways.

### Related Products

For optional accessories, see pages 26 - 29.



**H3 M1**  
Stanchion Mounted

**H3 M1**  
Stanchion &  
Structure Mounted

**HST4 M1**  
Structure Mounted  
\*IEC Model available

### ORDERING INFORMATION

#### Swivelpole™ H Series

Installed height	Weight (lb)	Pole top/base finish	Product code
5'	27.3	HG	H3-M1-1500-10-T-HG
5'	48.4	HG	HST4-M1-1500-10-T-NCT-HG

HG - Hot-dip Galvanized All dimensions are nominal, in imperial sizes

# Swivelpole™ HVPT Series

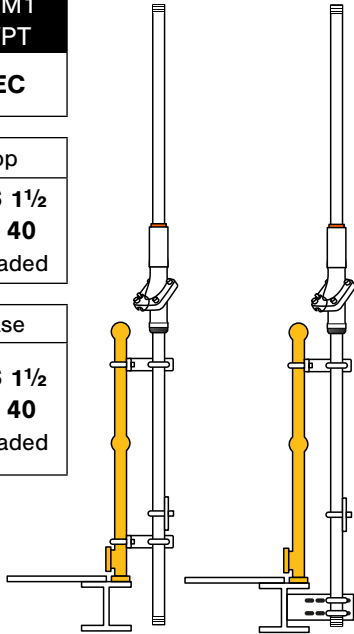
Withstand extreme vibration with a High Vibration Pole Top (HVPT)

**New Build**  
8ft - 10ft

**S3 M1 HVPT**  
**NEC**

Top  
**NPS 1½ DN 40**  
Threaded

Base  
**NPS 1½ DN 40**  
Threaded



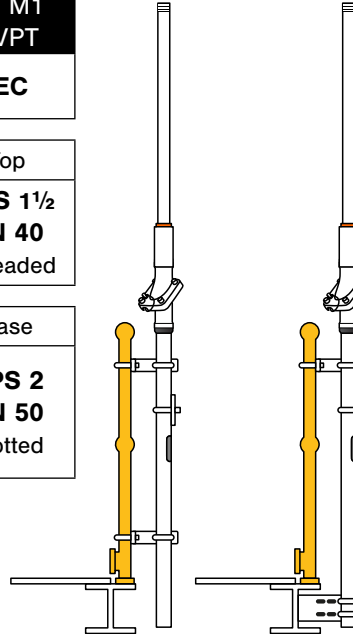
**S3 M1**  
Stanchion Mounted

**S3 M1**  
Stanchion & Structure Mounted

**S2 M1 HVPT**  
**IEC**

Top  
**NPS 1½ DN 40**  
Threaded

Base  
**NPS 2 DN 50**  
Slotted



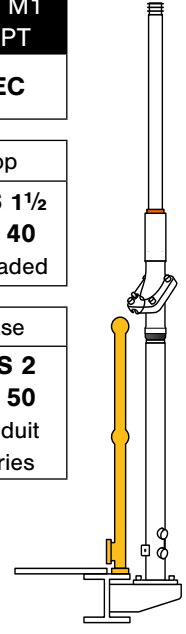
**S2 M1**  
Stanchion Mounted

**S2 M1**  
Stanchion & Structure Mounted

**ST4 M1 HVPT**  
**NEC**

Top  
**NPS 1½ DN 40**  
Threaded

Base  
**NPS 2 DN 50**  
Conduit Entries



**ST4 M1**  
Structure Mounted

## Related Products

For optional accessories, see pages 26 - 29.

## ORDERING INFORMATION

### Swivelpole™ HVPT Series

Installed height	Weight (lb)	Pole top/base finish	Product code
8'	31.7	HG	S3-M1-HVPT-2400-T-HG
10'	35.7	HG	S3-M1-HVPT-3000-T-HG
8'	36.1	HG	S2-M1-HVPT-2400-T-HG
10'	38.8	HG	S2-M1-HVPT-3000-T-HG
8'	49.7	HG	ST4-M1-HVPT-2400-T-NCT-HG
10'	53.7	HG	ST4-M1-HVPT-3000-T-NCT-HG

HG - Hot-dip Galvanized All dimensions are nominal, in imperial sizes

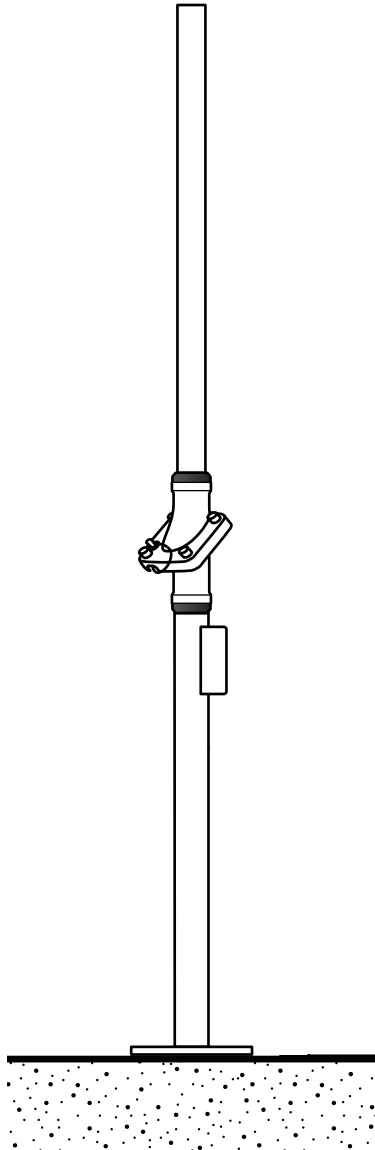
# Swivelpole™ F7 M2

## Floor/Ground Mounted

New Build

10ft - 13ft

- F7 M2**
- IEC
- Top
- NPS 2**  
**DN 50**  
Plain
- Base
- NPS 2½**  
**DN 65**  
Access  
Panel



### Versatile lowering pole solution for light-weight fixtures and equipment

#### Applications

Ideal for accommodation camps and villages, parks, pathways, car parks, tennis courts, railway platforms, amenity and avenue lighting.

#### Important information

2 person operation is recommended for poles over 10ft.

#### Related Products

For optional accessories, see pages 26 - 29.

### ORDERING INFORMATION

#### Swivelpole™ F7 M2

Installed height	Weight (lb)	Pole top/base finish	Product code
10'	53.5	HG	F7-M2-3000-P-HG
13'	62.3	HG	F7-M2-4000-P-HG

HG - Hot-dip Galvanized All dimensions are nominal, in imperial sizes

# RETROFIT SOLUTIONS

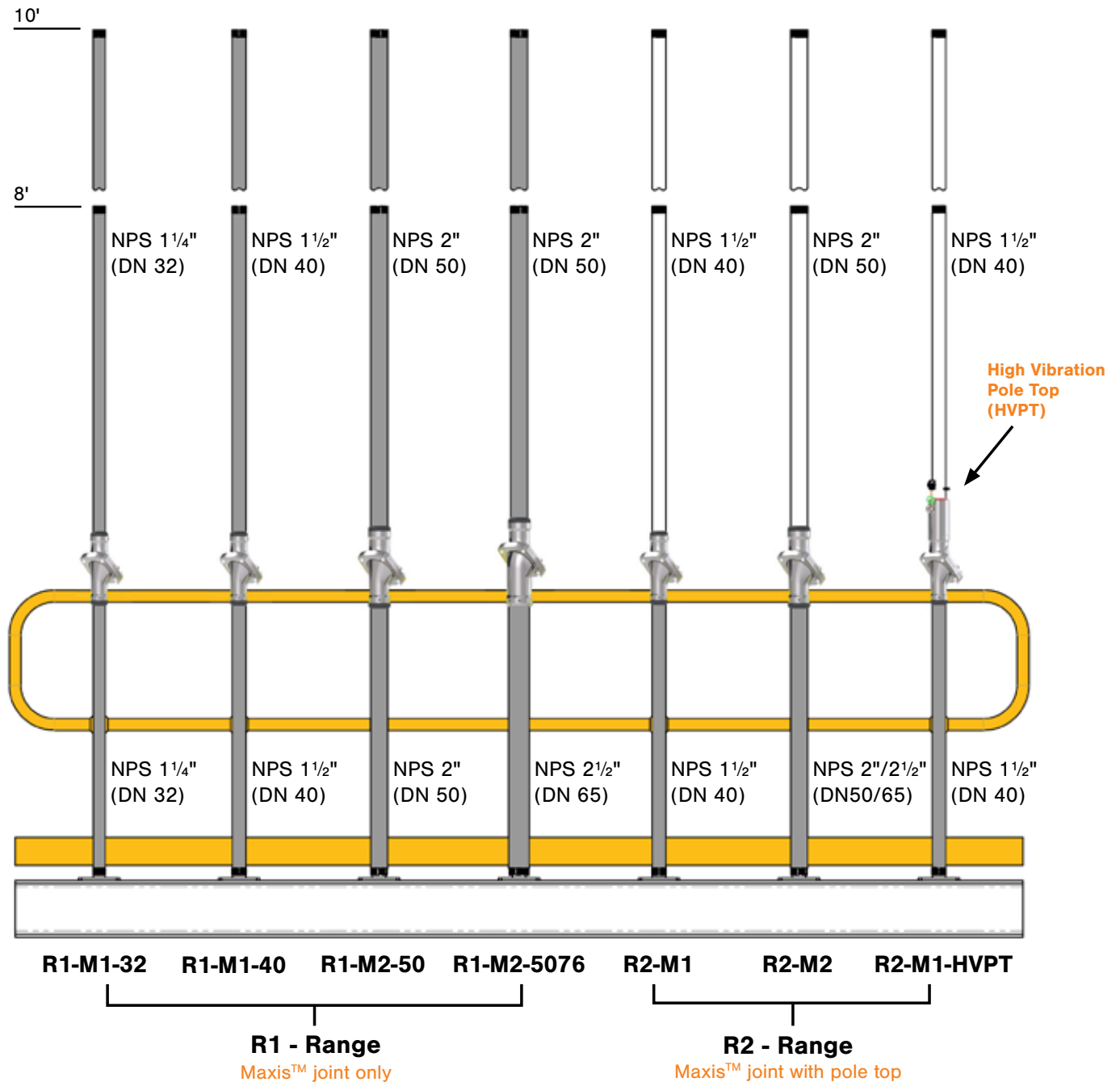
Convert rigid poles to lowering poles by installing a Maxis™ joint using the ingenious Pole Conversion Tool Kit (PCTK) without impact to existing wiring.

## Upgrade to LED **without** using a ladder



*Safely access any fixtures in seconds for fast and affordable inspection, maintenance and upgrades.*

# Swivelpole™ Standard Product Range - Retrofit Solutions



**Key:**

- Existing pole
- New pipe - product supplied by Swivelpole™

# Swivelpole™ R1 - Range

## Maxis™ joint

Retrofit

New Build

<b>R1 M1</b>	<b>R1 M2</b>
<b>NEC</b>	<b>NEC</b>
<b>NPS 1¼</b> DN 32	<b>NPS 2</b> DN 50
<b>NPS 1½</b> DN 40	<b>NPS 2½</b> DN 50/65

### R1 - Range - Maxis™ joint

Available in 4 sizes to suit various poles

#### Retrofit

Convert rigid poles to lowering poles by installing a Maxis™ joint using the pole conversion tool kit, see page 25.

#### New Build

Build a lowering pole by incorporating a Maxis™ joint into your design/structure using your own pipe.



### ORDERING INFORMATION

#### Swivelpole™ R1 M1 & R1 M2

Suits pole size (NPS)	Weight (lb)	Finish*	Maximum equipment Weight (lb)** by height				Product code
			8 ft	10 ft	13 ft	16 ft	
1¼	10.1	Hot-dip Galvanized	44	33	-	-	R1-M1-32-HG
1½	9.7	Hot-dip Galvanized	44	44	-	-	R1-M1-40-HG
2	13.6	Hot-dip Galvanized	44	44	33	22	R1-M2-50-HG
2½	16.1	Hot-dip Galvanized	44	44	33	22	R1-M2-5076-HG
1¼	11.4	Stainless Steel	44	33	-	-	R1-M1-32-SS
1½	10.3	Stainless Steel	44	44	-	-	R1-M1-40-SS
2	14.5	Stainless Steel	44	44	33	22	R1-M2-50-SS
2½	16.0	Stainless Steel	44	44	33	22	R1-M2-5076-SS

HG - Hot-dip Galvanized SS - Stainless Steel All dimensions are nominal, in imperial sizes

# Swivelpole™ R2 - Range

## Maxis™ joint with pole top

Retrofit

8ft - 10ft

<b>R2 M1</b>	<b>R2 M2</b>
<b>NEC</b>	<b>NEC</b>
Top	Top
<b>NPS 1½</b> <b>DN 40</b> Threaded	<b>NPS 2</b> <b>DN 50</b> Threaded



**Designed for installation in accordance with NEC standards.**

### Retrofit

Convert rigid poles to lowering poles by installing a Maxis™ joint and renewing the pole top using the pole conversion tool kit, see page 25.

### Related Products

For optional accessories, see pages 26 - 29.

## ORDERING INFORMATION

### Swivelpole™ R2 M1

Installed height	Weight (lb)	Pole top finish	Product code
8'	14.8	AL	R2-M1-40-2400-T-AL
10'	17.0	AL	R2-M1-40-3000-T-AL
8'	20.7	HG	R2-M1-40-2400-T-HG
10'	25.1	HG	R2-M1-40-3000-T-HG
8'	21.8	SS	R2-M1-40-2400-T-SS
10'	26.2	SS	R2-M1-40-3000-T-SS
8'	19.2	AL	R2-M2-50-2400-T-AL
10'	22.0	AL	R2-M2-50-3000-T-AL
8'	28.0	HG	R2-M2-50-2400-T-HG
10'	35.0	HG	R2-M2-50-3000-T-HG
8'	29.3	SS	R2-M2-50-2400-T-SS
10'	35.9	SS	R2-M2-50-3000-T-SS

HG - Hot-dip Galvanized AL - Aluminum SS - Stainless Steel All dimensions are nominal, in imperial sizes

# Swivelpole™ R2 M1 HVPT

Maxis™ joint with High Vibration Pole Top (HVPT)

Retrofit

8ft - 10ft

R2 M1  
HVPT

NEC

Top

NPS 1½  
DN 40  
Threaded



**Designed for installation in accordance with NEC standards.**

**Withstand extreme vibration with a High Vibration Pole Top (HVPT)**

### Retrofit

Convert rigid poles to lowering poles by installing a Maxis™ joint and renewing the pole top using the pole conversion tool kit, see page 25.

### Related Products

For optional accessories, see pages 26 - 29.

## ORDERING INFORMATION

### Swivelpole™ R2 M1 HVPT

Installed height	Weight (lb)	Pole top finish	Product code
8'	21.6	HG	R2-M1-HVPT-40-2400-T-001-HG
10'	26.2	HG	R2-M1-HVPT-40-3000-T-001-HG

HG - Hot-dip Galvanized All dimensions are nominal, in imperial sizes

# Swivelpole™ PCTK

## Pole Conversion Tool Kit (PCTK)

Retrofit

Convert rigid poles to lowering poles by installing a Maxis™ joint using the Pole Conversion Tool Kit.

Simple conversion process without impact to existing wiring or design intent. All work takes place at walkway level, eliminating the risks of working at heights. There is no need for hot work permits.



### ORDERING INFORMATION

#### Swivelpole™ PCTK

Suits Pole Sizes		Kit includes		Product code
NPS	OD			
1 1/4"	1.661"	Pole conversion tool	Spare blades	PCTK-01
1 1/2"	1.900"	Ratchet pipe cutter	Socket wrench	
2"	2.375"	Marking tool	Cutting Oil*, Riggers bag	

All dimensions are nominal.

\*Not included for international orders.

# Swivelpole™ Accessories/Related Products

## Mounting Bracket Kits

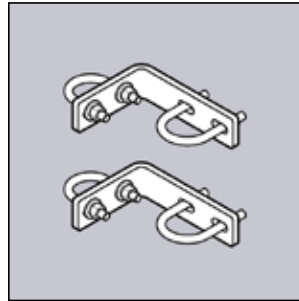
Kit includes brackets and fasteners.

### Suits Stanchion Mounted Models

S3 M1

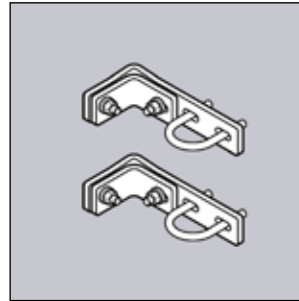
S3 M1 HVPT

H3 M1



**MBK2-2-40**

U-Bolt to stanchion



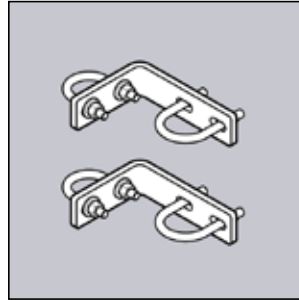
**MBK6-6-40**

Clamp to stanchion

---

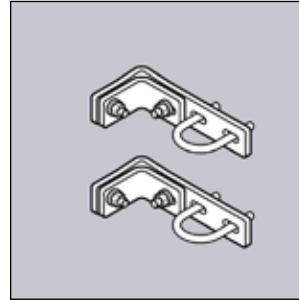
### Suits Stanchion Mounted Models

S2 M1



**MBK2-2-50**

U-Bolt to stanchion



**MBK6-6-50**

Clamp to stanchion

---

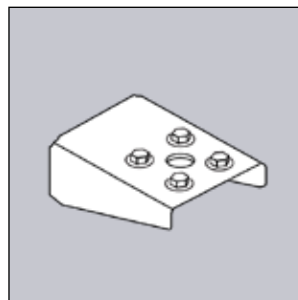
### Suits Structure Mounted Models

ST4 M1

ST4 M1 HVPT

HST4 M1

ST7 M2



**MBK9-002**

Bolt to structure

# Mounting Bracket Kits

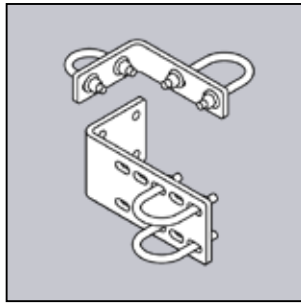
Kit includes brackets and fasteners.

Suits **Stanchion & Structure Mounted Models**

**S3 M1**

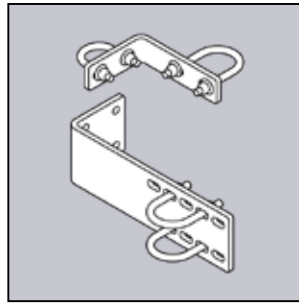
**S3 M1 HVPT**

**H3 M1**



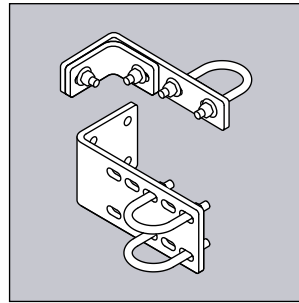
### **MBK2-5-40**

U-Bolt to stanchion  
& Bolt to structure



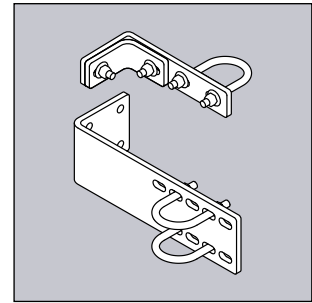
### **MBK2-5A-40**

U-Bolt to stanchion  
& Bolt to *offset* structure



### **MBK6-5-40**

Clamp to stanchion  
& Bolt to structure



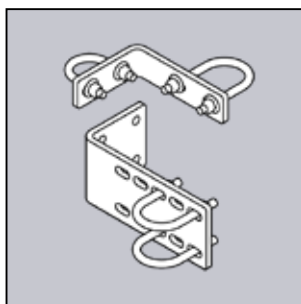
### **MBK6-5A-40**

Clamp to stanchion  
& Bolt to *offset* structure

Suits **Stanchion & Structure Mounted Models**

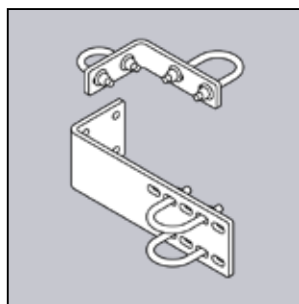
**S2 M1**

**S2 M1 HVPT**



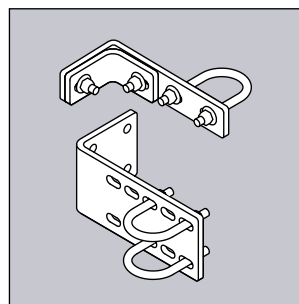
### **MBK2-5-50**

U-Bolt to stanchion  
& Bolt to structure



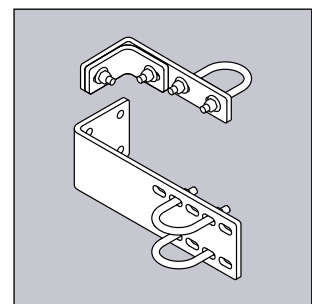
### **MBK2-5A-50**

U-Bolt to stanchion  
& Bolt to *offset* structure



### **MBK6-5-50**

Clamp to stanchion  
& Bolt to structure



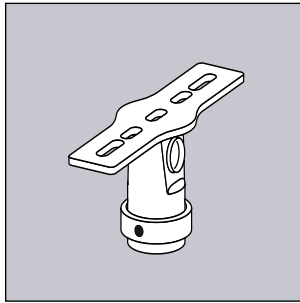
### **MBK6-5A-50**

Clamp to stanchion  
& Bolt to *offset* structure

# Luminaire Mounting Kits

## Floodlight

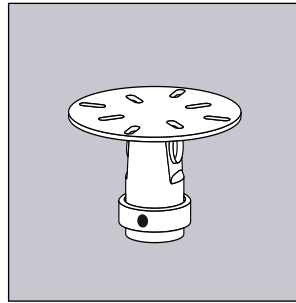
Suits NPS 1½ & 2 pole tops



**LMK5101**  
Bolt-On

## Alarm · Beacon · Siren

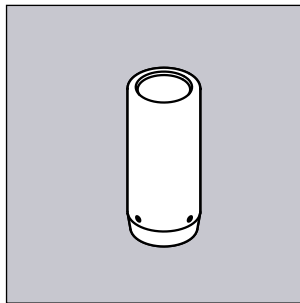
Suits NPS 1½ & 2 pole tops



**LMK6101**  
Bolt-On

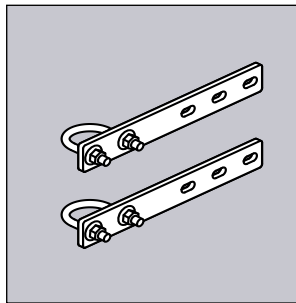
## Expander

Suits NPS 1½ pole tops



**LMK8401**  
Accessories

Suits NPS 1½ & 2 poles



**LMK8011**  
Accessories

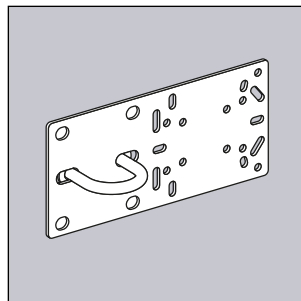
# Junction Box Plate Kits

Designed for installations in accordance with IEC standards

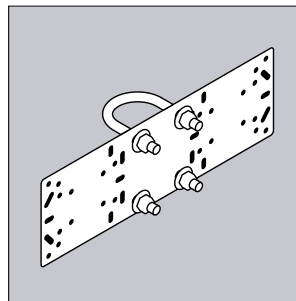
Suits Models

**S3 M1**

**S3 M1 HVPT**



**JBPK1208-40**  
Single Offset



**JBPK1201-40**  
Double, centre mounted

# Junction Box Plate Kits

Designed for installations in accordance with IEC standards

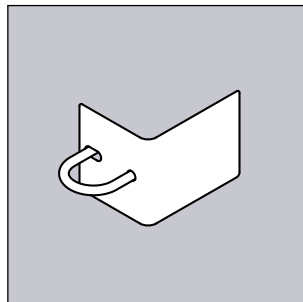
## Suits Models

**S2 M1**

**ST4 M1**

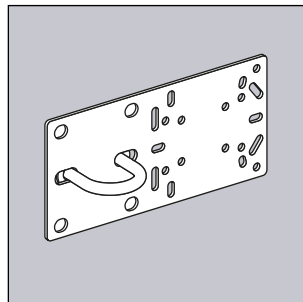
**ST4 M1 HVPT**

**HST4 M1**



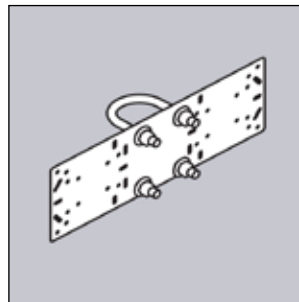
**JBPK1100-UNI-50**

Blank,  
offset mounted



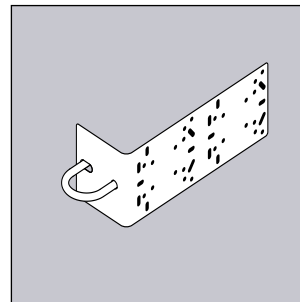
**JBPK1208-50**

Offset mounted



**JBPK1201-50**

Double,  
centre mounted

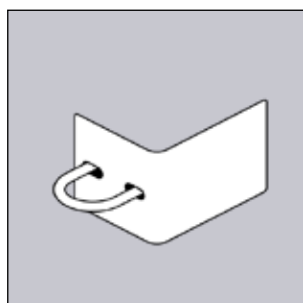


**JBPK1301-50**

Double,  
offset mounted

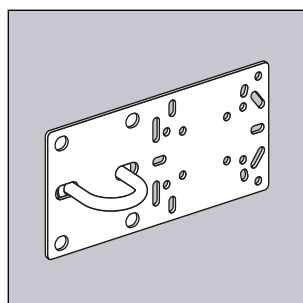
## Suits Models

**ST7 M2**



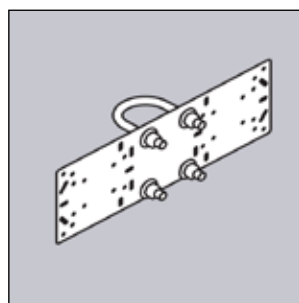
**JBPK1100-UNI-65**

Blank,  
offset mounted



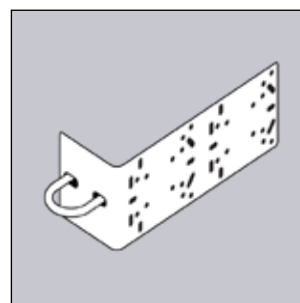
**JBPK1208-65**

Offset mounted



**JBPK1201-65**

Double,  
centre mounted



**JBPK1301-65**

Double,  
offset mounted


## Technical Specifications & Warranties

MAXIS™ JOINT MATERIAL & FINISH	
Material: Cast AISI 1045 Steel / EN-GJS-500-7 Ductile Iron	Material: Stainless Steel - Grade AISI 316 Investment Cast
Finish: Hot-dip galvanized (HG)	Finish: Electrolytic polishing
Compatible with aluminum products.	

Note: Maxis™ M1 and M2 components form part of lowering light poles which are supplied independent of light fixture. As the final structural loading is dependent on the light fixture fitted and installation location, it is the design responsibility of the specifying engineer to ensure the structural adequacy of the model contained in the final installed light pole assembly, based on the limits of its structural elements provided above.

MANUFACTURING STANDARDS – MAXIS™ ASSEMBLIES	
Steel Structures	AS 4100
Structural Design Actions	AS/NZS 1170
Steel Pipe	AS/NZS 1163 & ASTM A500
Stainless Steel Pipe	ASTM A312 & ASME B36.19
Hot-dip galvanizing	ASTM A123 (USA) CSA G164 (Canada) AS/NZS 4680 (Australia)
Aluminum Pipe 6061 T6 or 6082 T6	AS/NZS 1866 (Australia) ASTM B429 (USA & Canada)

**DISCLAIMER**  
The adequacy of the guardrail and supporting structure must be verified by a site approved engineer. Swivelpole and or Exemplar Products Pty Ltd, subsidiaries and related entities ("Swivelpole") will accept no responsibility for failure due to inadequacy of the supporting structure or guardrail to which the Maxis™ is mounted.

CERTIFICATION & CLASSIFICATION	
<p>Maxis™ M1 and M2 models are listed by CSA as Certified under Master Contract number 257018, Certificate of Compliance 2568504, to the following standards:</p> <ul style="list-style-type: none"> <li>• CSA Class 3426 02 - CSA C22.2 No.250.00-18 (Canada)</li> <li>• CSA Class 3426 82 - UL 1598; 4th Edition (US):</li> </ul> <p>Acceptable for installation in Class 1, Division 2, Group A, B, C, and D Hazardous Locations, CSA Document 70216456. Complies with the following standards, to the extent applicable:</p> <ul style="list-style-type: none"> <li>• CSA C22.2 No. 213-17/UL12.12.01_9th Edition Requirements for Class I, Division 2 equipment</li> <li>• C22.1 – 2018 Canadian Electrical Code Part 1; Safety Standard for Electrical Installation</li> </ul> <p>ATEX - TUV RHEINLAND - Statement for non-applicability of Directive 2014/34/EU - Maxis™ M1 &amp; M2 Series. Manufacturers EU Declaration of Conformity - CE - Maxis™ M1 and M2 Series. Manufacturers UK Declaration of Conformity - UKCA - Maxis™ M1 and M2 Series.</p> <p>Acceptable for installation in Class II Division 2, Groups E, F and G Hazardous Locations, CSA Document 70216455. Class II Division 2 product available upon request.</p> <p>Maxis™ M1 and M2 models have been evaluated as structurally adequate by a 3<sup>rd</sup> party Structural Engineer (Structural Certificate T-18-462, T-19-066 (Stainless Steel)) in accordance with the following relevant publications:</p> <ul style="list-style-type: none"> <li>• National Building Code of Canada - Canadian wind-load data</li> <li>• CSA Standard S6 - Canadian Highway Bridge Design Code</li> <li>• CSA standard S16 (steel poles)</li> <li>• AASHTO (American Association of State Highway and Transportation Officials), standard</li> <li>• LTS (Standard Specifications for Structural Supports for Highway Signs, Luminaires and Traffic Signals)</li> </ul> <p>The models are suitable for specification in the USA and Canada when loadings have been calculated in accordance with the above standards and design actions as listed in the Structural Certificate referenced above.</p>	

**DESIGN COMPLIANCE**  
The Swivelpole™ product range has been developed to meet the design criteria of a range of site conditions, including hurricane/cyclonic winds and hazardous environments.  
For additional information on our products and product configurations to suit your design compliance needs, please contact us at sales@swivelpole.com. Site engineers are responsible for determining the relevant design criteria, including design wind speed and to select the appropriate products from the Swivelpole™ product range to meet this criteria.

**WARRANTIES\***

**10 year limited warranty**

1. All equipment and goods are warranted by the seller to be free from defects in material and workmanship for ten (10) years from the date of shipment.  
Normal wear of equipment or goods, equipment or goods which are misused, abused, or damaged, or not used in accordance with the seller's instructions are excluded in this warranty.  
No warranty shall apply or responsibility be taken for any modifications, alterations or additions to the standard product design. This includes exceeding recommended maximum weights for any fittings or exceeding the installed height.  
Where the product is exposed to caustic chemicals or harsh chemical, marine and salt environments, the protective coating or finish is not warranted, nor any subsequent corrosion of unprotected product or components.  
Optional material finish of powder coating is completed by third parties and whilst all care is taken by Swivelpole™, warranty is limited to the (12) months Supplier's standard warranty. This warranty does not apply to equipment or goods which are misused, abused or damaged or not used in accordance with seller's instructions. Normal wear of equipment or goods are excluded in this warranty. All care should be taken for the longevity of the powder coat finish.  
The adequacy of the High Vibration Pole Top (HVPT) is not guaranteed/ warranted for specific site suitability due to the vibration frequency variances in site and structure conditions. We can guarantee that the HVPT will improve performance and extend design life when compared to an ordinary pole exposed to the same vibrations. Swivelpole and or Exemplar Products Pty Ltd, subsidiaries and related entities ("Swivelpole") will accept no responsibility or liability, direct or consequential, for failure of this product.

2. Equipment or goods not manufactured by the seller but supplied through the seller shall carry the warranty of the original manufacturer.  
The seller's sole liability under this warranty shall be limited to either replacing or repairing without charge, at its factory or elsewhere at its discretion, any equipment or goods not meeting this warranty, or at seller's option, refunding the purchase price. The seller shall in no event be liable for any other direct or any special indirect or consequential damages of any kind under this contract or otherwise.  
\* Subject to change without notice.

BENDING MOMENT CAPACITY			
The following summarises the capacity of pole tops tested with the Maxis™ joint assembly and the load exceeded in testing. The tabulated capacities represent the loading in which testing was terminated and the joint remained functional.			
Maxis™ Model	Max Top Pole Size (GR350 Carbon Steel / GR205 Stainless Steel)	Joint capacity exceeded in testing (kNm)	
		Carbon steel	Stainless steel
M1	DN32 (42.4x4.9)	3.11	1.64
M1	DN40 (48.3x3.67)	3.11	1.64
M2	DN50 (60.3x5.54)	5.23	2.76

**COPYRIGHT & PATENT**  
This document is the property of and protected by copyright owned by Swivelpole and or Exemplar Products Pty Ltd. The designs and other information embodied in this document comprise confidential information of Swivelpole and or Exemplar Products Pty Ltd and form part of products covered by international patents and registered designs including US patent No 6957832 and US patent No 9945143. Unauthorised use, reproduction and disclosure are strictly prohibited.





## **SWIVELPOLE™ LOWERING POLE SOLUTIONS**

**TRUSTED GLOBALLY BY  
ASX & FORTUNE 500  
COMPANIES**

Swivelpole™ is recognized globally for providing customers with simple, fast and affordable access to light fixtures and equipment.

Our innovative access solutions eliminate the risk of working at heights, through the controlled lowering of equipment and fixtures to a safe and comfortable working position.

After over 25 years of continuous development and improvement, Swivelpole™ has developed a comprehensive product range to suit industrial, commercial, and domestic applications up to 7 meters.

Swivelpole™ has an extensive global sales history to some of the world's largest companies and in the most remote and challenging environments. We continue to be specified as the product of choice for proven performance and return on investment.

**UNITED STATES**  
**1428 North Post Oak Road**  
**Houston, TX 77055**

**CANADA**  
**134 Clearview Drive**  
**Reinfeld MB, R6W 4A1**  
**Building - Plant 2**

For international offices see website.

**SALES & SUPPORT**  
**TOLL-FREE**  
**US : +1 855 979 4835**  
**CA : +1 855 309 4023**  
**sales@swivelpole.com**

Swivelpole™ © 2026

This document and all its contents is the property of Swivelpole and or Exemplar Products Pty Ltd and is protected by copyright worldwide. Unauthorized use and reproduction is strictly prohibited. All rights reserved.

Every effort has been made to ensure that the information in this document is accurate. Swivelpole and or Exemplar Products Pty Ltd are not responsible for printing or clerical errors.

The Maxis™ joint and Swivelpole™ product range is protected by patents and registered designs worldwide. All rights reserved.

# **ACCESS MADE EASY.**

