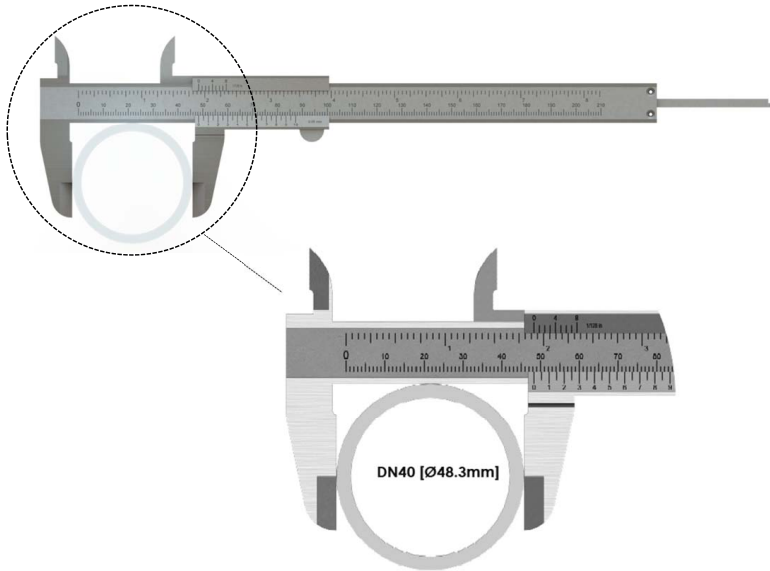
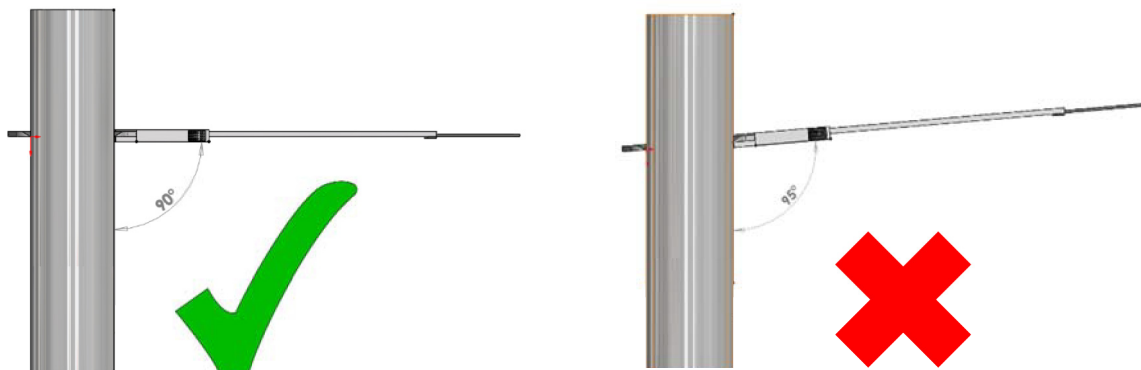


Determining Outside Diameter (OD) of Rigid Pole

When converting rigid poles to lowering poles, it is important to ensure the exact outside diameter of the rigid pole. To get an accurate reading, vernier calipers should be used.



Ensure the calipers are at 90 degrees to the rigid pole when measurement is taken.



The following 3 sizes can be used with Maxis™

NPS	DN	OD (mm)	Maxis™ ID (mm)
1 1/4"	32	42.2	43.4
1 1/2"	40	48.3	49.5
2"	50	60.3	61.5

NPS - Nominal Pipe Size DN - Nominal Pipe Size OD - Outside Diameter ID - Inside Diameter