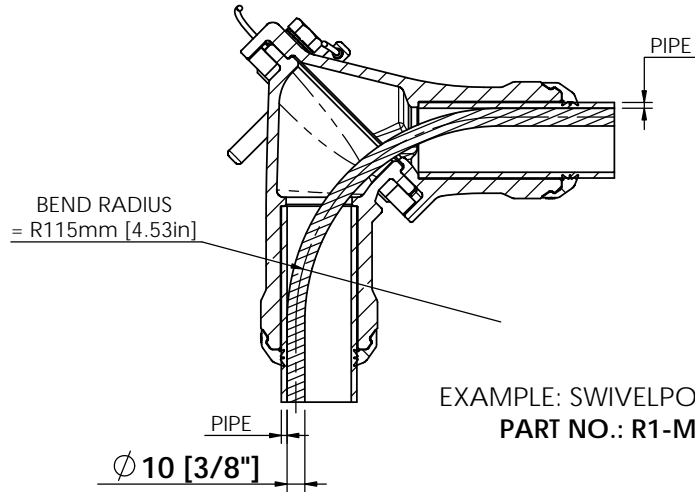
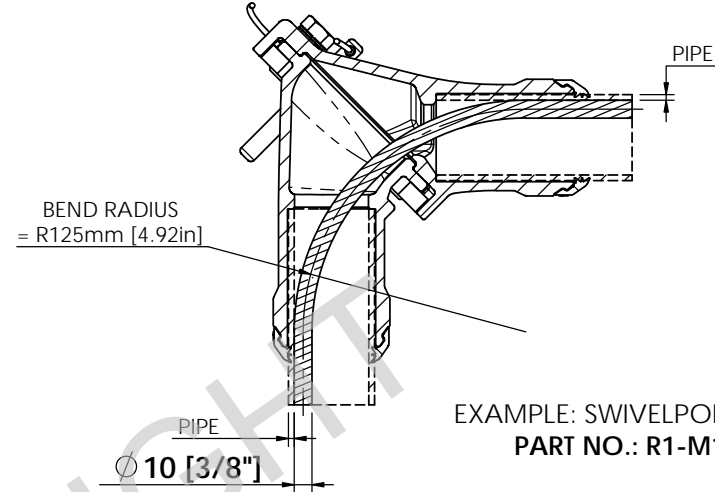


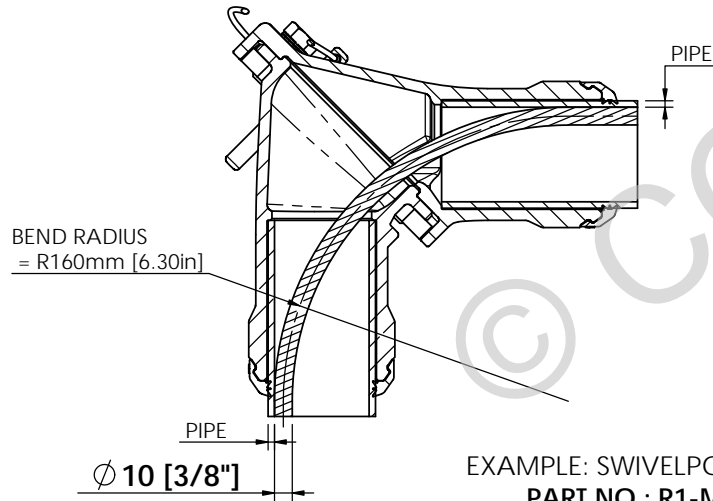
Maxis™ Cable Bending Radius shown in the lowered orientation



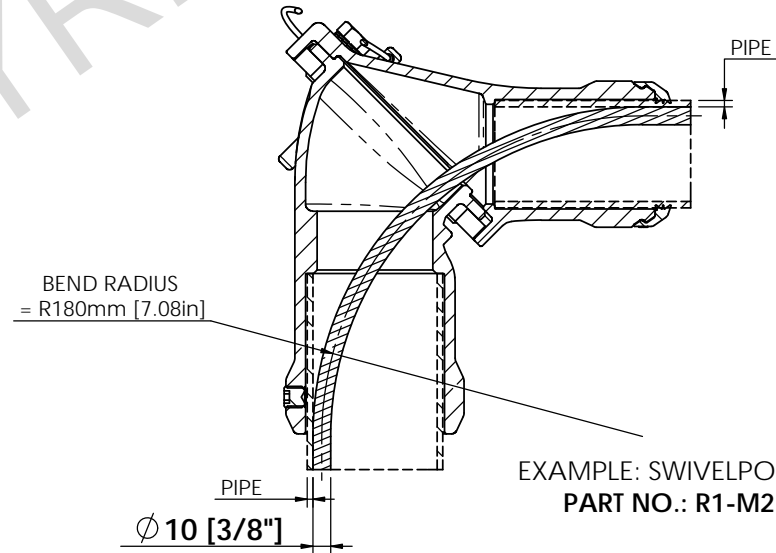
EXAMPLE: SWIVELPOLE MAXIS™
PART NO.: R1-M1-32-Z



EXAMPLE: SWIVELPOLE MAXIS™
PART NO.: R1-M1-40-Z



EXAMPLE: SWIVELPOLE MAXIS™
PART NO.: R1-M2-50-Z



EXAMPLE: SWIVELPOLE MAXIS™
PART NO.: R1-M2-5076-Z



Scan Code with
QR Reader app for more
Swivelpole™ Solutions

maxis®
PATENTED
PRODUCTS

www.maxisjoint.com

PATENTED
PRODUCTS

www.swivelpole.com

Swivelpole

This document is the property of and protected by copyright owned by Swivelpole Group Pty Ltd and/or Exemplar Products Pty Ltd. The designs and other information embodied in this document comprise confidential information of Swivelpole Group Pty Ltd and/or Exemplar Products Pty Ltd and form part of products covered by international patents and registered designs including US patent No 6957832 and US patent No 9945143. Unauthorised use, reproduction and disclosure are strictly prohibited. This document must not be removed from the premises of the licensed user of this document without Swivelpole Group Pty Ltd's and/or Exemplar Products Pty Ltd's prior approval.

ALL DIMENSIONS ARE IN MILLIMETERS / INCHES		SERIES / CODE	PART NUMBER
		Maxis™	As Noted
DRAWN BY	KM	DATE	7/2/20
CHECKED BY	AI	DATE	7/2/20
APPROVED BY	RP	DATE	7/2/20
THIRD ANGLE PROJECTION	⊕ - 1	SCALE	N.T.S.
TITLE			REV
Swivelpole™ Maxis™ M1 & M2 Ø10mm - Cable Bend Radius General Assembly			0
DRG No			A3
C-M1-M2-DIA10-CABLE BEND RADIUS (TQ2832)			