



**\$ MILLIONS  
SAVED**

Trusted by  
ASX & Fortune  
500 Companies



CERTIFIED



# Swivelpole™

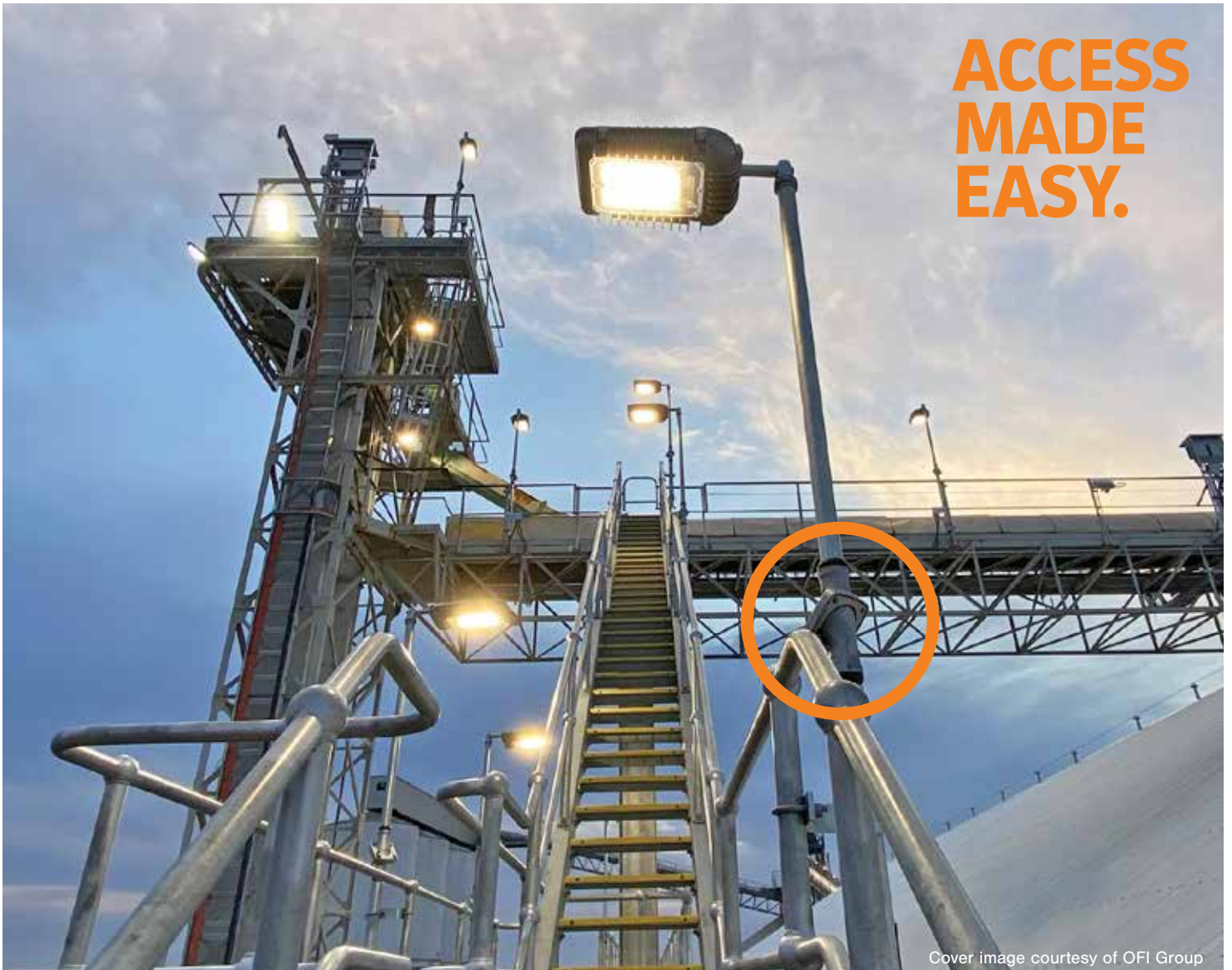
## LOWERING POLE SOLUTIONS

CATALOGUE 2026

AUS

STANDARD PRODUCT RANGE

# ACCESS MADE EASY.



Cover image courtesy of OFI Group

**PROVIDING INNOVATIVE LOWERING POLE SOLUTIONS FOR LIGHTING AND  
POLE MOUNTED EQUIPMENT FOR OVER 25 YEARS!**

**SWIVELPOLE.COM**



Image courtesy of Woodside

## **SOLUTIONS FOR INCORPORATING INTO NEW BUILD AND CONVERTING EXISTING RIGID POLES TO LOWERING POLES**

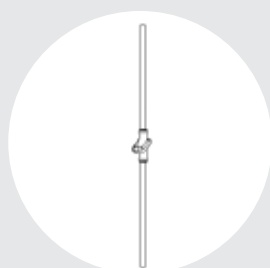
### **PROBLEM**



### **SOLUTION**

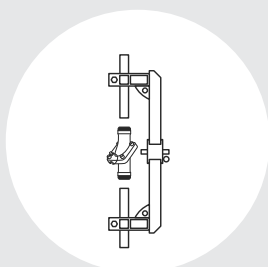


## CONTENTS



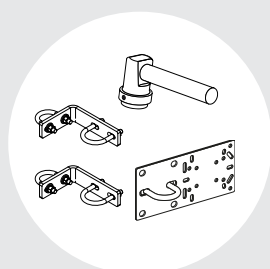
### GREENFIELDS (NEW BUILD)

Greenfield Solutions	5
Greenfields - Standard Product Range	6
Greenfields - Standard Product Range with High Vibration Pole Tops (HVPT)	8
Autonomous Vehicle High Vibration Pole Top	9
Stanchion Mounted	10
Stanchion & Structure Mounted	11
Stanchion or Stanchion & Structure Mounted	12
Structure Mounted	13
Column/Wall Mounted	15
Horizontal Outreach (H-Series)	17
High Vibration Pole Top (HVPT Series)	18
Floor/Ground Mounted	20



### BROWNFIELDS (EXISTING)

Brownfield Solutions	22
Brownfields - Standard Product Range	23
R1-Range Maxis™ joint only	24
R2-Range Maxis™ joint with pole top	25
Maxis™ joint with high vibration pole top	26
Pole Conversion Tool Kit (PCTK)	27



### ACCESSORIES

Mounting Bracket Kits	28
Luminaire Mounting Kits	30
Footing Solutions	31
Junction Box Plate Kits	32
Appendix: Technical Specifications	33

Solutions for all applications

# Swivelpole™

# INDUSTRIAL COMMERCIAL DOMESTIC

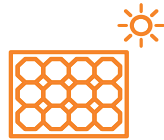
**Safely access any fixtures  
in seconds for fast and  
affordable inspection,  
maintenance and upgrades**



Lighting



CCTV



Solar Panels



Sirens & Alarms



Networking



Instruments & more

## Benefits



Cast steel joint  
with minimal  
moving parts



Suitable for  
hazardous  
locations & harsh  
environments



Multiple product  
configurations to  
suit a range of  
requirements



Superior 45°  
lowering pole  
technology



The only solution  
for converting  
existing rigid  
poles to  
lowering poles

# SAVE MILLIONS

**Do the math - multiply your cost of access without a Swivelpole™ times the amount of poles you have**

## DID YOU KNOW?

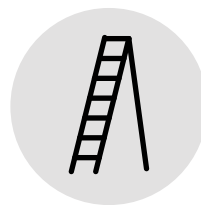
It's cheaper to install a Swivelpole than build a scaffold



SCAFFOLD



E.W.P.



LADDER



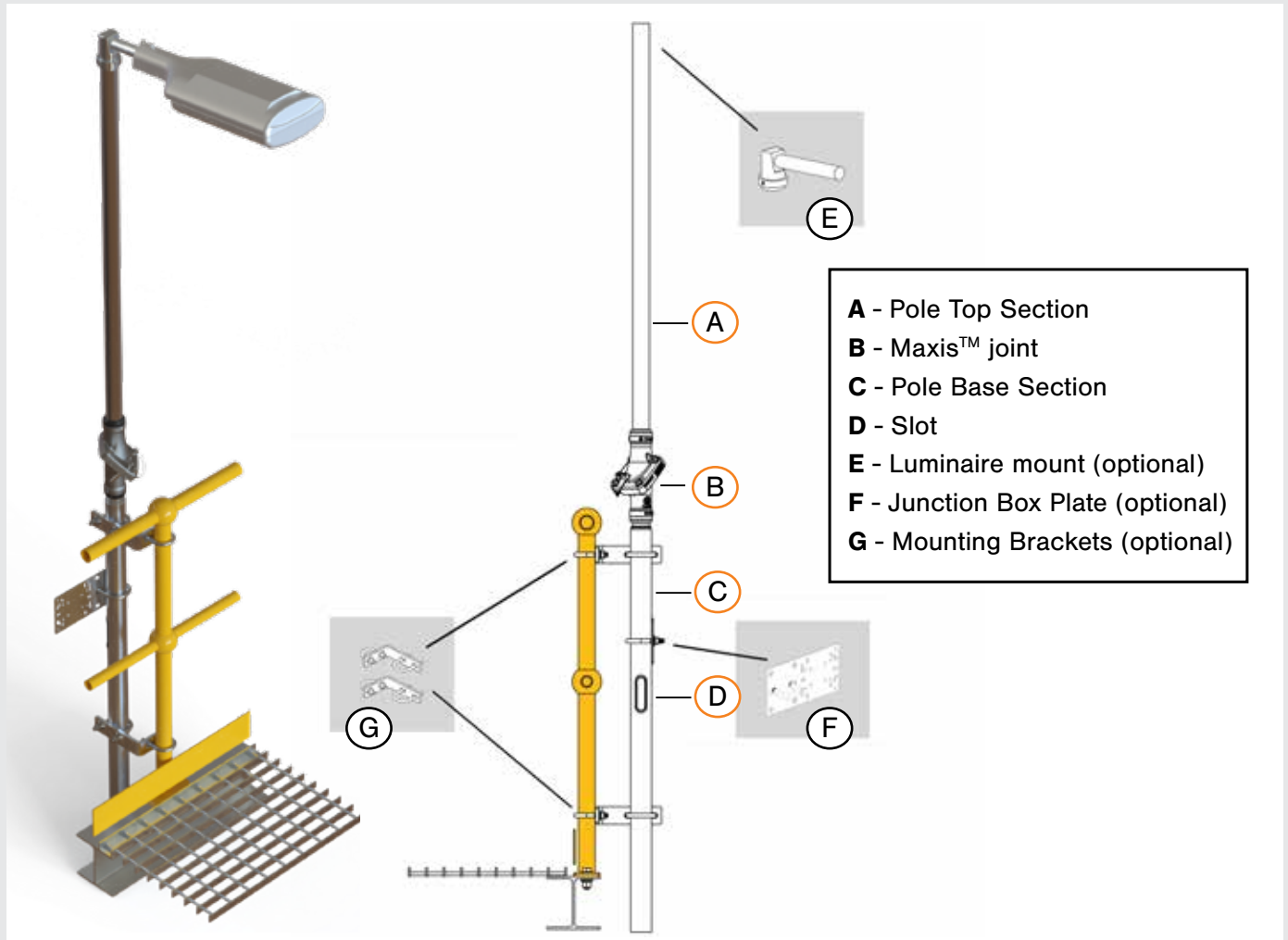
Swivelpole™



# GREENFIELD SOLUTIONS

An entire lowering pole with optional accessories such as mounting brackets, luminaire mounts and junction box plates.

## COMPLETE/FULL POLE SOLUTION - OVERVIEW



## INDUSTRIES



Mining & Metals



Oil & Gas  
Onshore & Offshore



Power Generation



Water & Waste



Infrastructure



Food & Beverage



Chemicals

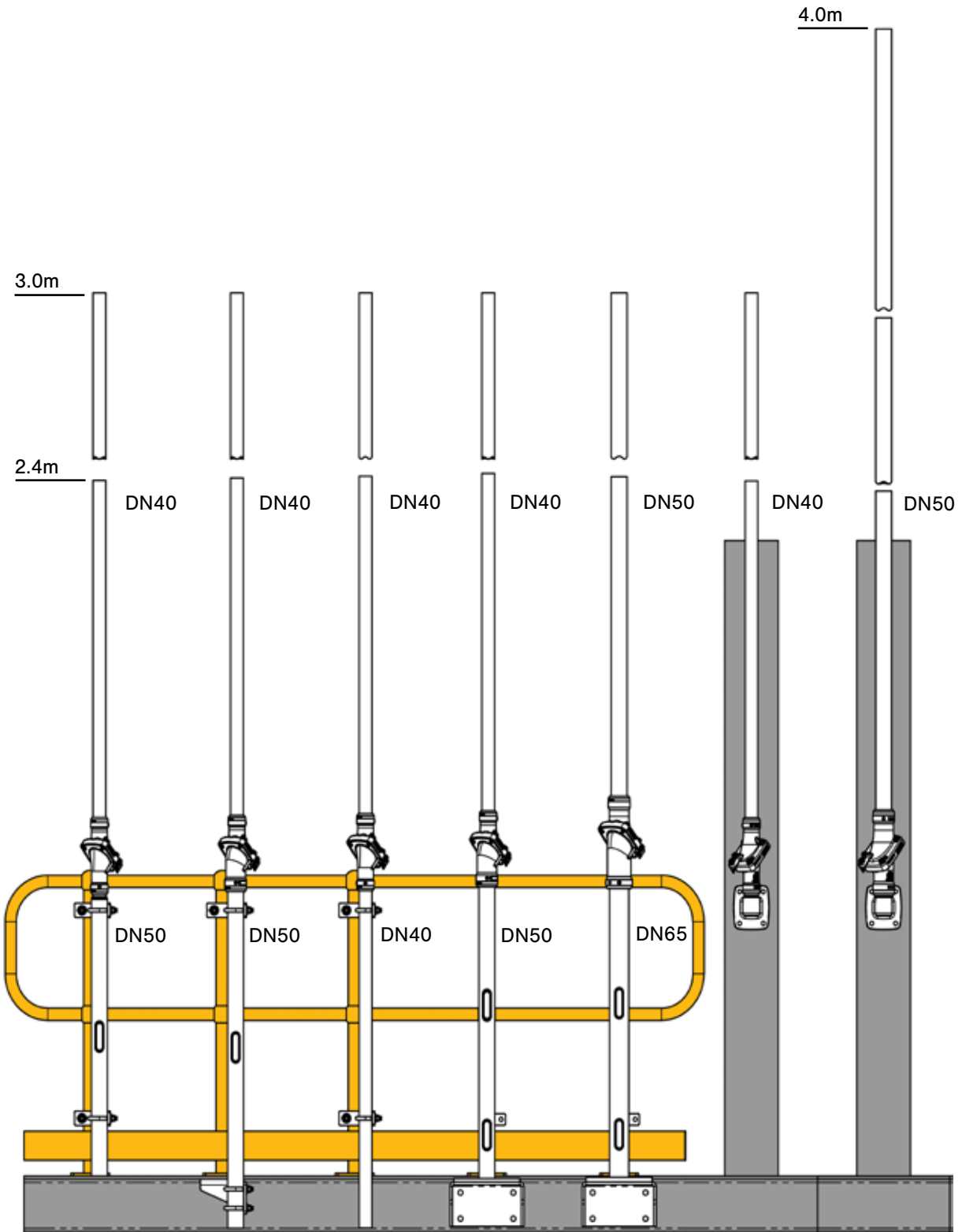


Renewables



Fertiliser

# Swivelpole™ Standard Product Range - Greenfields



**S1-M1**  
Stanchion Mounted

**S2-M1**  
Stanchion & Structure Mounted

**S3-M1**  
Stanchion or Stanchion & Structure Mounted

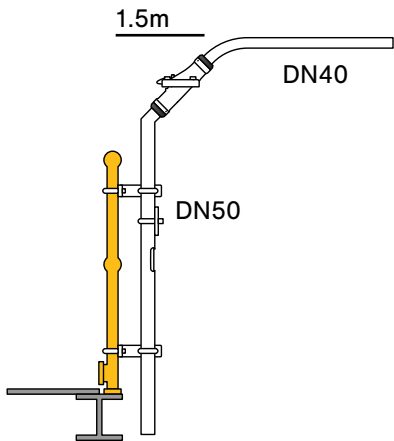
**ST4-M1**  
Structure Mounted

**ST7-M2**  
Structure Mounted

**C1-M1**  
Column/Wall Mounted

**C2-M2**  
Column/Wall Mounted

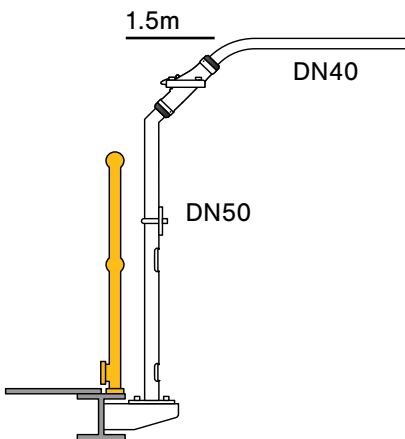
# Swivelpole™ Standard Product Range - Greenfields



## H2-M1

Stanchion or Stanchion & Structure Mounted

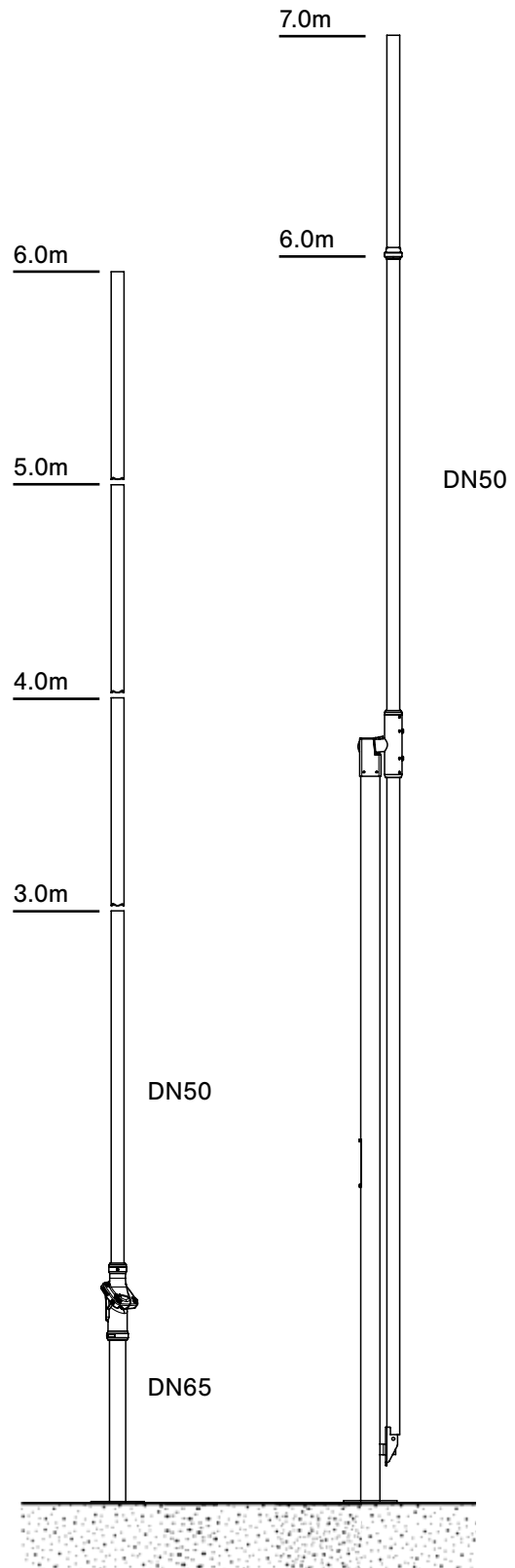
**Horizontal Outreach**



## HST4-M1

Structure Mounted

**Horizontal Outreach**

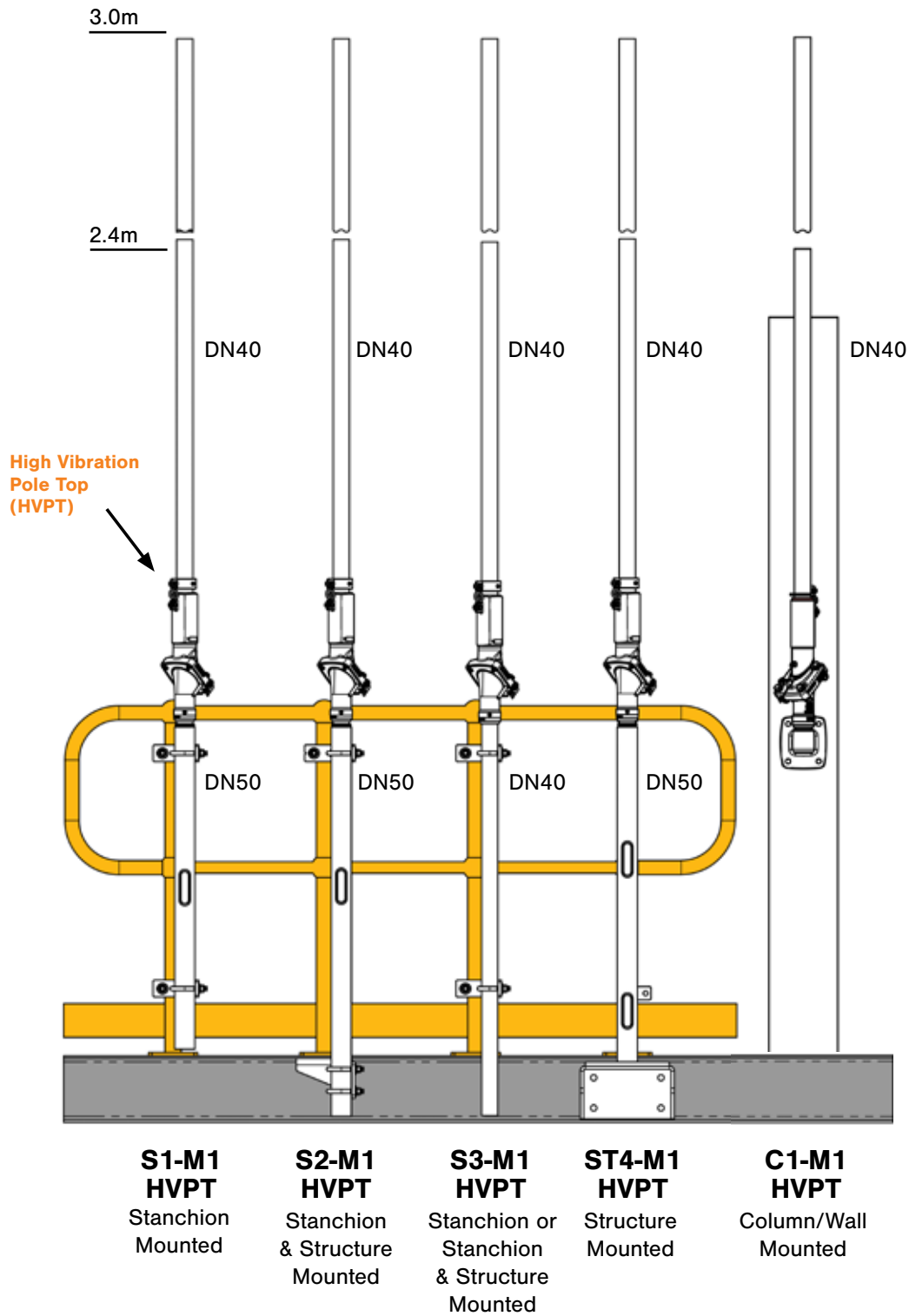


F7-M2

Giraffe Pole™ G5

**Floor/Ground Mounted**

# Swivelpole™ Standard Product Range - Greenfield Solutions with High Vibration Pole Tops (HVPT)



# Swivelpole™ Autonomous Vehicle HVPT

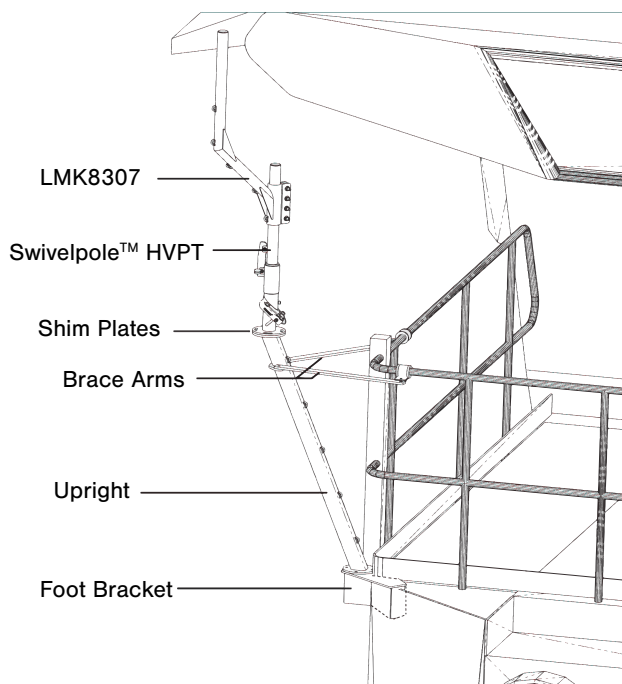
## Withstand extreme vibration with a High Vibration Pole Top

The autonomous vehicle HVPT pole is proven to withstand the harsh vibrations of autonomous vehicles compared to rigid poles that are prone to break easily.

- Tailored solutions for a variety of Site Aware Vehicles and Equipped Manned Vehicles (EMVs)
- Over 5 years of proven performance – minimising breakdowns and reducing maintenance costs
- Ideal for mounting technology such as GNSS receivers, wireless antennas, lights, radio antennas, and more



### Example Arrangement



In the event of an aerial breakage, the pole can be quickly lowered and a new antenna installed ensuring your autonomous vehicle is operational again as quickly as possible.

Swivelpole™ offers a range of mounting solutions tailored to suit a number of makes and models of autonomous vehicles and if we don't have an existing solution, we have an experienced team ready to help.

To request more information about our autonomous vehicle HVPT solutions scan the QR code.



# Swivelpole™ S1 M1

## Stanchion Mounted

Greenfields

2.4 – 3m

S1 M1

Top

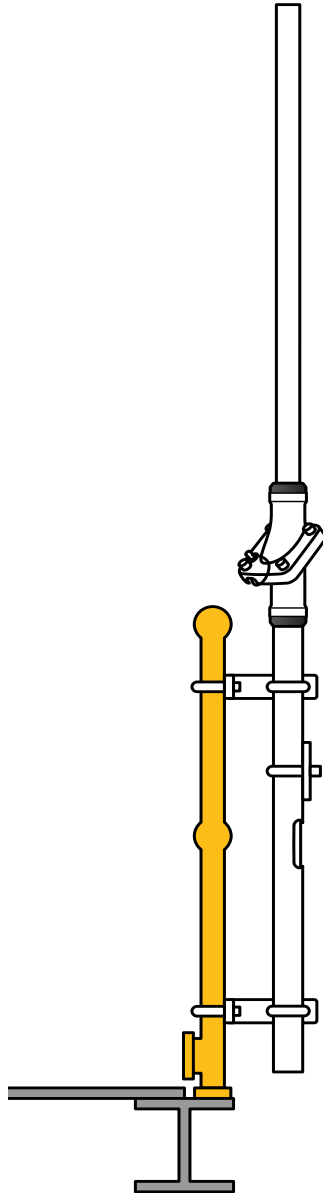
**DN40**

Plain

Base

**DN50**

Slotted



**Designed for installation in accordance with IEC standards**

### Applications

Ideal for lighting on walkways, platforms, stairways, and conveyors.

### Related Products

For optional accessories, see pages 28 - 32.

## ORDERING INFORMATION

### Swivelpole™ S1 M1

Installed height	Weight (kg)	Pole top/base finish	Product code
2.4m	14.3	HG	S1-M1-2400-P-HG
3.0m	16.0	HG	S1-M1-3000-P-HG
2.4m	15.9	SS	S1-M1-2400-P-SS
3.0m	17.9	SS	S1-M1-3000-P-SS

HG - Hot-dip Galvanised SS - Stainless Steel All dimensions are nominal, in metric sizes

# Swivelpole™ S2 M1

## Stanchion & Structure Mounted

Greenfields

2.4 – 3m

S2 M1

Top

**DN40**

Plain

Base

**DN50**

Slotted

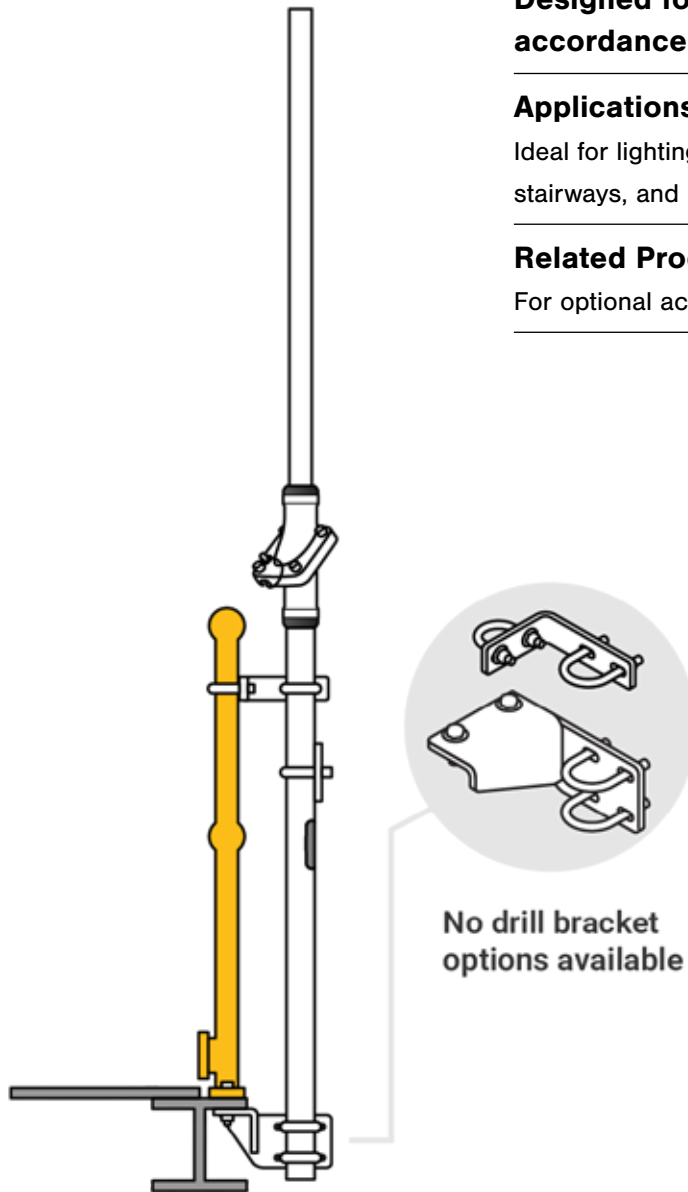
**Designed for installation in accordance with IEC standards**

### Applications

Ideal for lighting on walkways, platforms, stairways, and conveyors.

### Related Products

For optional accessories, see pages 28 - 32.



No drill bracket options available

## ORDERING INFORMATION

### Swivelpole™ S2 M1

Installed height	Weight (kg)	Pole top/base finish	Product code
2.4m	15.6	HG	S2-M1-2400-P-HG
3.0m	17.3	HG	S2-M1-3000-P-HG
2.4m	17.0	SS	S2-M1-2400-P-SS
3.0m	19.0	SS	S2-M1-3000-P-SS

HG - Hot-dip Galvanised SS - Stainless Steel All dimensions are nominal, in metric sizes

# Swivelpole™ S3 M1

## Stanchion or Stanchion & Structure Mounted

Greenfields

2.4 – 3m

S3 M1

Top

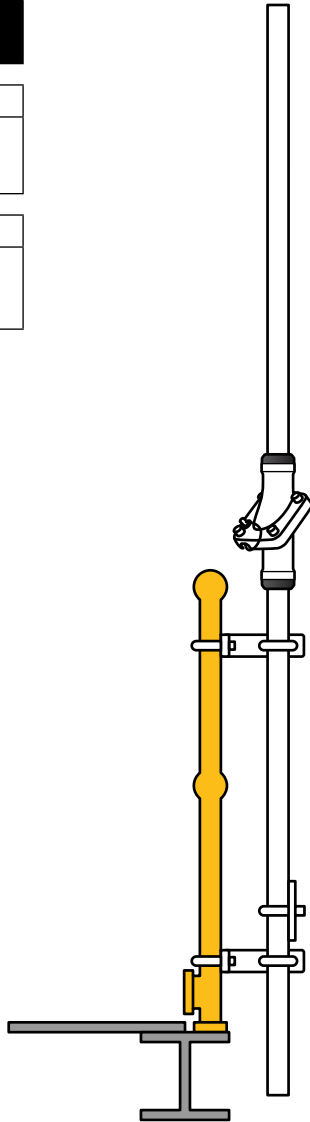
**DN40**

Plain

Base

**DN40**

Plain



**Designed for installation in accordance with IEC standards**

### Aluminium Option

Light weight - reduced stress on stanchion, corrosion free, cost effective, suitable for all wind regions.

### Applications

Ideal for lighting on walkways, platforms, stairways, and conveyors.

### Related Products

For optional accessories, see pages 28 - 32.

## ORDERING INFORMATION

### Swivelpole™ S3 M1

Installed height	Weight (kg)	Pole top/base finish	Product code
2.4m	13.3	HG	S3-M1-2400-P-003-HG
3.0m	15.0	HG	S3-M1-3000-P-003-HG
2.4m	8.6	AL	S3-M1-2400-P-003-AL
3.0m	9.4	AL	S3-M1-3000-P-003-AL
2.4m	15.1	SS	S3-M1-2400-P-003-SS
3.0m	17.1	SS	S3-M1-3000-P-003-SS

HG - Hot-dip Galvanised SS - Stainless Steel AL - Aluminium All dimensions are nominal, in metric sizes

# Swivelpole™ ST4 M1

## Structure Mounted

Greenfields

2.4 – 3m

### ST4 M1

Top

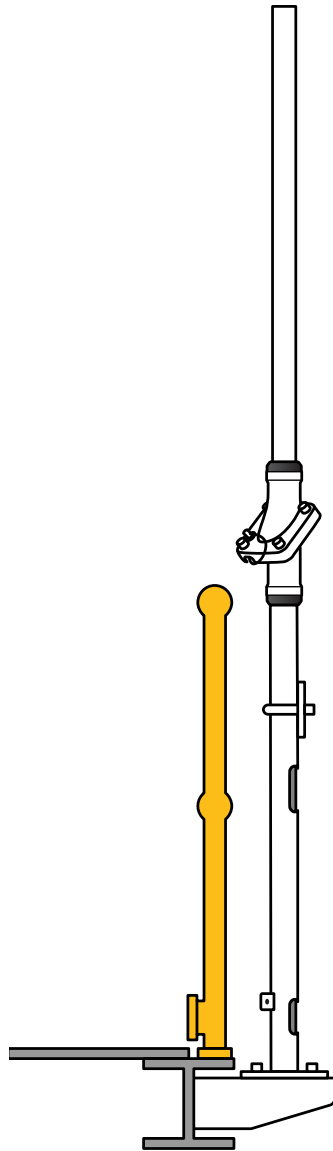
**DN40**

Plain

Base

**DN50**

Slotted



**Designed for installation in accordance with IEC standards**

### Applications

Ideal for lighting on walkways, platforms, stairways, and conveyors.

### Related Products

For optional accessories, see pages 28 - 32.

## ORDERING INFORMATION

### Swivelpole™ ST4 M1

Installed height	Weight (kg)	Pole top/base finish	Product code
2.4m	21.7	HG	ST4-M1-2400-P-HG
3.0m	23.4	HG	ST4-M1-3000-P-HG
2.4m	22.5	SS	ST4-M1-2400-P-SS
3.0m	24.5	SS	ST4-M1-3000-P-SS

HG - Hot-dip Galvanised SS - Stainless Steel All dimensions are nominal, in metric sizes

# Swivelpole™ ST7 M2

## Structure Mounted

Greenfields

2.4 – 3m

### ST7 M2

Top

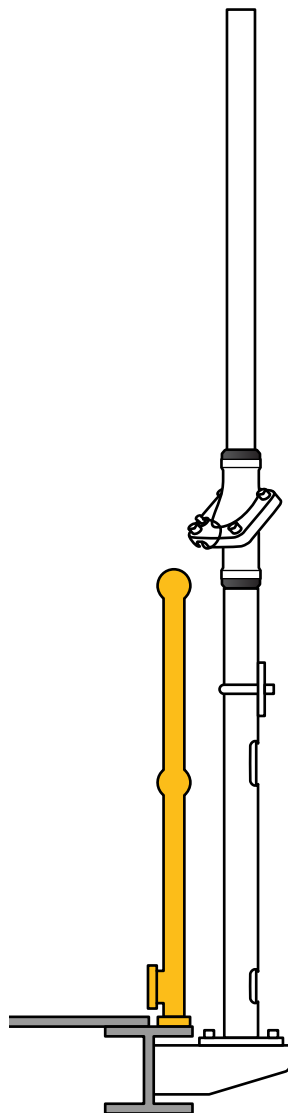
**DN50**

Plain

Base

**DN65**

Slotted



**Designed for installation in accordance with IEC standards**

### Applications

Ideal for lighting on walkways, platforms, stairways, and conveyors.

### Related Products

For optional accessories, see pages 28 - 32.

## ORDERING INFORMATION

### Swivelpole™ ST7 M2

Installed height	Weight (kg)	Pole top/base finish	Product code
2.4m	28.2	HG	ST7-M2-2400-P-HG
3.0m	31.2	HG	ST7-M2-3000-P-HG
2.4m	14.9	AL	ST7-M2-2400-P-AL
3.0m	16.2	AL	ST7-M2-3000-P-AL
2.4m	32.8	SS	ST7-M2-2400-P-SS
3.0m	36.2	SS	ST7-M2-3000-P-SS

HG - Hot-dip Galvanised AL - Aluminium SS - Stainless Steel All dimensions are nominal, in metric sizes

# Swivelpole™ C1 M1

## Column/Wall Mounted

Greenfields

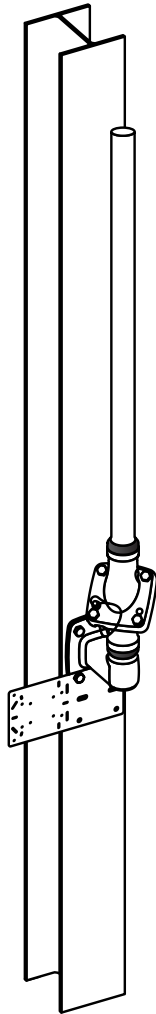
2.4 – 3m

C1 M1

Top

**DN40**

Plain



**Designed for installation in accordance with IEC standards**

### Applications

Ideal for internal structure lighting, area lighting and sub-station walls.

### Related Products

For optional accessories, see pages 28 - 32.

## ORDERING INFORMATION

### Swivelpole™ C1 M1

Installed height	Weight (kg)	Pole top/base finish	Product code
2.4m	13.1	HG	C1-M1-2400-P-HG
3.0m	14.9	HG	C1-M1-3000-P-HG
2.4m	13.7	SS	C1-M1-2400-P-SS
3.0m	15.8	SS	C1-M1-3000-P-SS
2.4m	10.8	AL	C1-M1-2400-P-HG-AL
3.0m	11.6	AL	C1-M1-3000-P-HG-AL

HG - Hot-dip Galvanised AL - Aluminium SS - Stainless Steel All dimensions are nominal, in metric sizes

# Swivelpole™ C2 M2

## Column/Wall Mounted

Greenfields

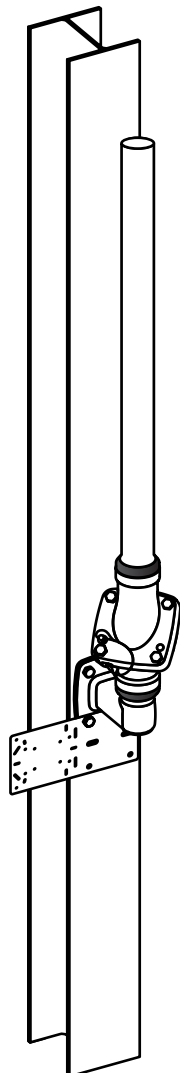
2.4 – 4m

C2 M2

Top

DN50

Plain



**Designed for installation in accordance with IEC standards**

### Applications

Ideal for internal structure lighting, area lighting and sub-station walls.

### Important information

2 person operation is recommended for poles over 3 metres.

### Related Products

For optional accessories, see pages 28 - 32.

## ORDERING INFORMATION

### Swivelpole™ C2 M2

Installed height	Weight (kg)	Pole top/base finish	Product code
2.4m	16.7	HG	C2-M2-2400-P-HG
3.0m	19.7	HG	C2-M2-3000-P-HG
4.0m	24.7	HG	C2-M2-4000-P-HG
2.4m	18.3	SS	C2-M2-2400-P-SS
3.0m	21.7	SS	C2-M2-3000-P-SS
4.0m	26.7	SS	C2-M2-4000-P-SS
2.4m	13.2	AL	C2-M2-2400-P-HG-AL
3.0m	14.5	AL	C2-M2-3000-P-HG-AL
4.0m	16.6	AL	C2-M2-4000-P-HG-AL

HG - Hot-dip Galvanised AL - Aluminium SS - Stainless Steel All dimensions are nominal, in metric sizes

# Swivelpole™ H-Series

## Horizontal Outreach

Greenfields

1.5m

**H2 M1**

**HST4 M1**

Top
<b>DN 40</b>
Plain

Top
<b>DN 40</b>
Plain

Base
<b>DN 50</b>
Slotted

Base
<b>DN 50</b>
Slotted

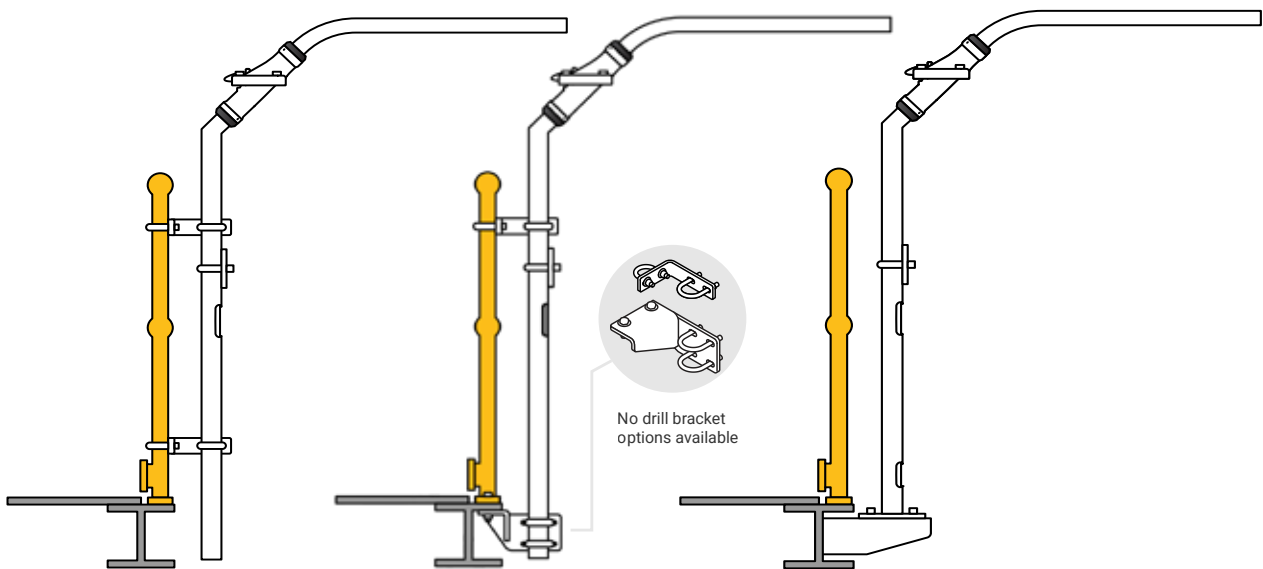
**Designed for installation in accordance with IEC standards**

### Applications

Ideal for lighting outside guardrails and below walkways.

### Related Products

For optional accessories, see pages 28 - 32.



**H2 M1**  
Stanchion Mounted

**H2 M1**  
Stanchion & Structure Mounted

**HST4 M1**  
Structure Mounted

## ORDERING INFORMATION

### Swivelpole™ H-Series

Installed height	Weight (kg)	Pole top/base finish	Product code
1.5m	15.3	HG	H2-M1-1500-10-P-HG
1.5m	16.9	SS	H2-M1-1500-10-P-SS
1.5m	21.8	HG	HST4-M1-1500-10-P-HG
1.5m	21.8	SS	HST4-M1-1500-10-P-SS

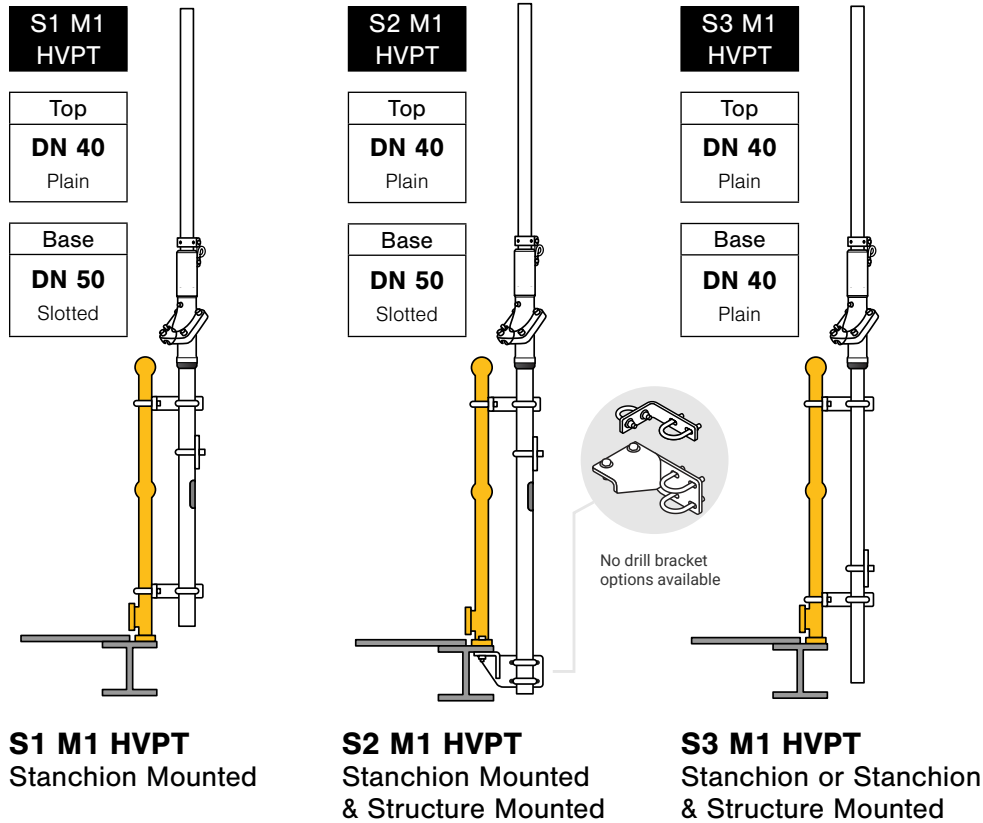
HG - Hot-dip Galvanised SS - Stainless Steel All dimensions are nominal, in metric sizes

# Swivelpole™ HVPT Series

Greenfields

Withstand extreme vibration with a High Vibration Pole Top (HVPT)

2.4 – 3m



## Related Products

For optional accessories, see pages 28 - 32.

## ORDERING INFORMATION

### Swivelpole™ HVPT Series

Installed height	Weight (kg)	Pole top/base finish	Product code
2.4m	16.6	HG	S1-M1-HVPT-2400-P-001-HG
3.0m	18.4	HG	S1-M1-HVPT-3000-P-001-HG
2.4m	17.6	HG	S2-M1-HVPT-2400-P-001-HG
3.0m	19.4	HG	S2-M1-HVPT-3000-P-001-HG
2.4m	15.7	HG	S3-M1-HVPT-2400-P-013-HG
3.0m	17.5	HG	S3-M1-HVPT-3000-P-013-HG
2.4m	17.3	AL	S3-M1-HVPT-2400-P-013-HG-AL
3.0m	19.7	AL	S3-M1-HVPT-3000-P-013-HG-AL

HG - Hot-dip Galvanised AL - Aluminium All dimensions are nominal, in metric sizes

# Swivelpole™ HVPT Series

Withstand extreme vibration with a High Vibration Pole Top (HVPT)

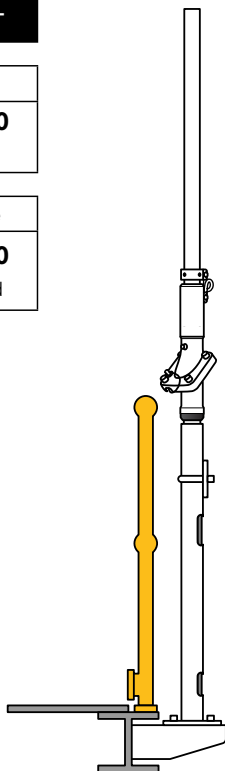
Greenfields

2.4 – 3m

**ST4 M1 HVPT**

Top  
**DN 40**  
Plain

Base  
**DN 50**  
Slotted



**ST4 M1 HVPT**  
Structure Mounted

**C1 M1 HVPT**

Top  
**DN 40**  
Plain



**C1 M1 HVPT**  
Column/Wall Mounted

## Related Products

For optional accessories, see pages 28 - 32.

## ORDERING INFORMATION

### Swivelpole™ HVPT Series

Installed height	Weight (kg)	Pole top/base finish	Product code
2.4m	23.5	HG	ST4-M1-HVPT-2400-P-001-HG
3.0m	25.3	HG	ST4-M1-HVPT-3000-P-001-HG
2.4m	15.6	HG	C1-M1-HVPT-2400-P-001-HG
3.0m	17.3	HG	C1-M1-HVPT-3000-P-001-HG
2.4m	17.1	AL	C1-M1-HVPT-2400-P-001-HG-AL
3.0m	19.5	AL	C1-M1-HVPT-3000-P-001-HG-AL

HG - Hot-dip Galvanised AL - Aluminium All dimensions are nominal, in metric sizes

# Swivelpole™ F7 M2

## Floor/Ground Mounted

Greenfields

3 – 6m

F7 M2

Top

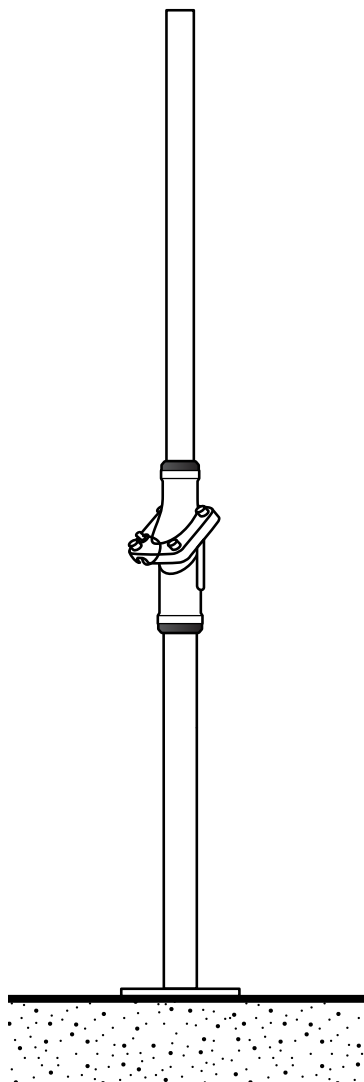
**DN 50**

Plain

Base

**DN 65**

Plain



**Versatile lowering pole solution for light-weight fixtures and equipment.**

### Applications

Ideal for accommodation camps and villages, parks, pathways, car parks, tennis courts, railway platforms, amenity and avenue lighting.

### Details

Access panel located at back of Maxis joint - for connecting cables.

### Related Products

For optional accessories, see pages 28 - 32.



Scan Code for more information on Swivelpole™ F7 M2. Including EPA Matrix for suitability.

## ORDERING INFORMATION

### Swivelpole™ F7 M2

Installed height	Weight (kg)	Pole top/base finish	Product code
3.0m	24.7	HG	F7-M2-3000-P-HG
4.0m	28.8	HG	F7-M2-4000-P-HG
5.0m	32.9	HG	F7-M2-5000-P-HG
6.0m	37.0	HG	F7-M2-6000-P-HG
3.0m	17.4	AL	F7-M2-3000-P-AL
4.0m	19.6	AL	F7-M2-4000-P-AL
5.0m	21.7	AL	F7-M2-5000-P-AL
6.0m	23.8	AL	F7-M2-6000-P-AL

HG - Hot-dip Galvanised AL - Aluminium All dimensions are nominal, in metric sizes

# Giraffe Pole™ G5

## Floor/Ground Mounted

Greenfields

4 – 7m

G5

Top

**DN 50**

Plain

Base

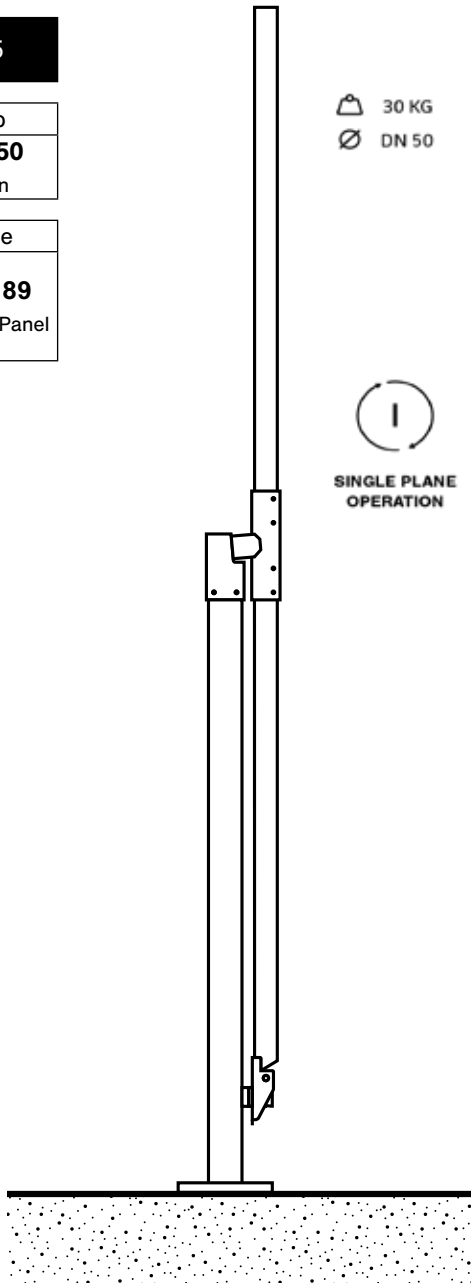
**SHS 89**

Access Panel

30 KG  
DN 50



SINGLE PLANE  
OPERATION



**A medium-duty solution for mounting equipment at heights up to 7 metres.**

### Applications

Ideal for roadways, pathways, accommodation villages, schools, universities, prisons, car parks, retirement villages and tennis courts.

### Details

Locking mechanism with padlock facility and access panel at convenient height.

### Related Products

For optional accessories, see pages 28 - 32.



Scan Code for more information on Swivelpole™ G5. Including EPA Matrix for suitability.

## ORDERING INFORMATION

### Swivelpole™ G5

Installed height	Weight (kg)	Pole top/base finish	Product code
4.0m	56.9	HG	G5-4000-P-HG
5.0m	64.3	HG	G5-5000-P-HG
6.0m	75.9	HG	G5-6000-P-HG
7.0m	81.3	HG	G5-7000-P-HG

HG - Hot-dip Galvanised All dimensions are nominal, in metric sizes

# BROWNFIELD SOLUTIONS

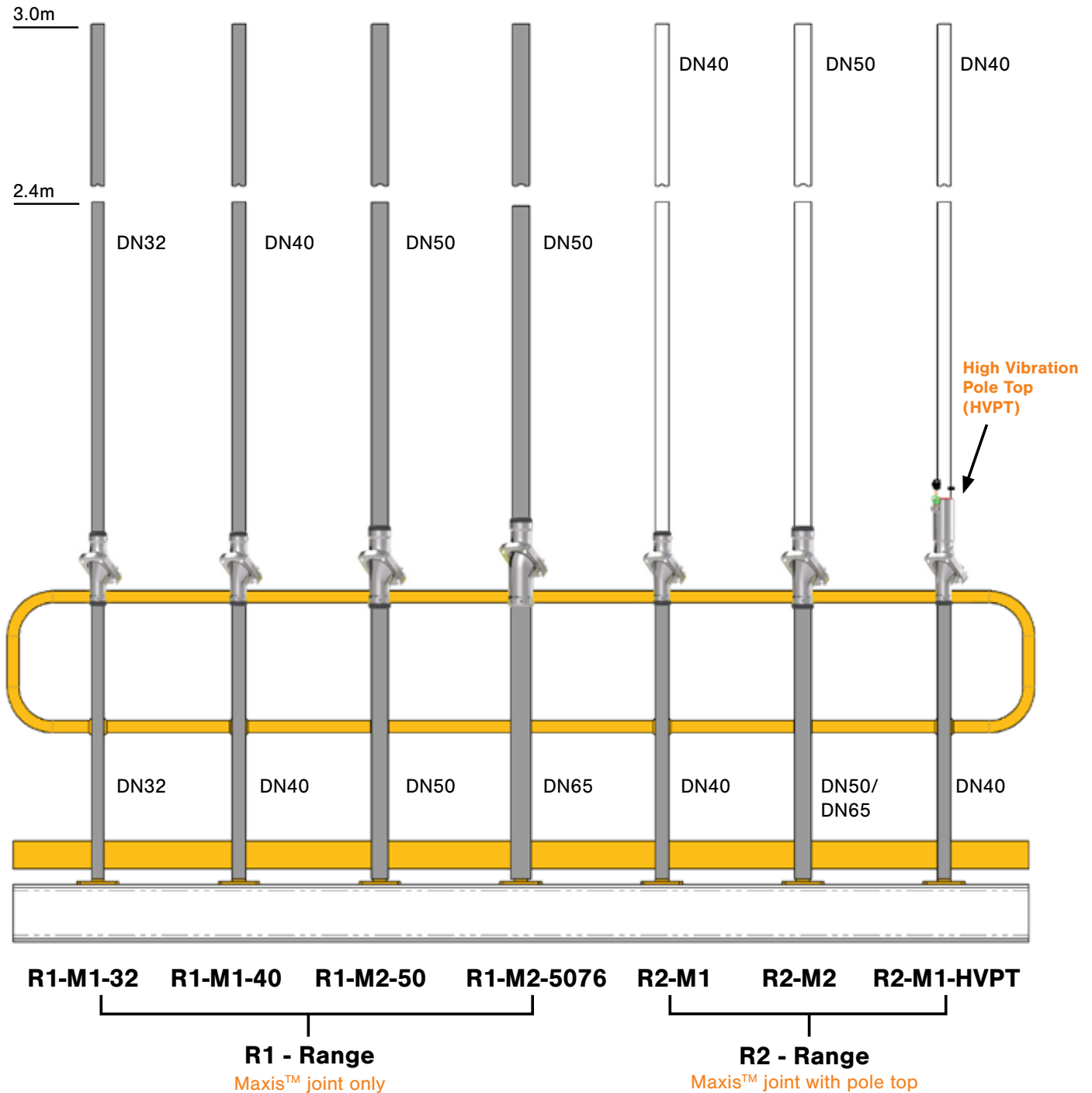
Convert rigid poles to lowering poles by installing a Maxis™ joint using the ingenious Pole Conversion Tool Kit (PCTK) without impact to existing wiring.

## Upgrade to LED **without** using a ladder



*Safely access any fixtures in seconds for fast and affordable inspection, maintenance and upgrades.*

# Swivelpole™ Standard Product Range - Brownfield Solutions



**Key:**

- Existing pole
- New pipe - product supplied by Swivelpole™

# Swivelpole™ R1 - Range

Maxis™ joint only

Brownfields

Greenfields

R1 M1

R1 M2

DN 32

DN 50

DN 40

DN 50/65

## R1 - Range - Maxis™ joint

Available in four sizes to suit various poles

### Brownfields

Convert rigid poles to lowering poles by installing a Maxis™ joint using the pole conversion tool kit, see page 27.

### Greenfields

Build a lowering pole by incorporating a Maxis™ joint into your design/structure using your own pipe.



## ORDERING INFORMATION

### Swivelpole™ R1 M1 & R1 M2

Suits pole size (DN)	Weight (kg)	Finish*	Maximum equipment Weight (kg) by height				Product code
			2.4 m	3 m	4 m	5 m	
32	4.6	Hot-Dip Galvanised	20	15	-	-	R1-M1-32-HG
40	4.4	Hot-Dip Galvanised	20	20	-	-	R1-M1-40-HG
50	6.2	Hot-Dip Galvanised	20	20	15	10	R1-M2-50-HG
65	7.3	Hot-Dip Galvanised	20	20	15	10	R1-M2-5076-HG
32	5.2	Stainless Steel	20	15	-	-	R1-M1-32-SS
40	4.7	Stainless Steel	20	20	-	-	R1-M1-40-SS
50	6.6	Stainless Steel	20	20	15	10	R1-M2-50-SS
65	7.3	Stainless Steel	20	20	15	10	R1-M2-5076-SS

HG - Hot-dip Galvanised SS - Stainless Steel All dimensions are nominal, in metric sizes

# Swivelpole™ R2 - Range

## Maxis™ joint with pole top

Brownfields

2.4 - 3m

R2 M1

Top

**DN 40**

Plain

R2 M2

Top

**DN 50**

Plain



**R2 - Range - Maxis™ joint with pole top**  
**Available in two sizes to suit various poles**

### Brownfields

Convert rigid poles to lowering poles by installing a Maxis™ joint with pole top using the pole conversion tool kit, see page 27.

### Related Products

For optional accessories, see pages 28 - 32.

## ORDERING INFORMATION

### Swivelpole™ R2-M1 & R2-M2

Suits pole size (DN)	Installed height	Weight (kg)	Pole top finish	Product code
40	2.4m	8.9	HG	R2-M1-40-2400-P-HG
40	3.0m	10.6	HG	R2-M1-40-3000-P-HG
40	2.4m	9.9	SS	R2-M1-40-2400-P-SS
40	3.0m	11.9	SS	R2-M1-40-3000-P-SS
40	2.4m	6.5	AL	R2-M1-40-2400-P-AL
40	3.0m	7.4	AL	R2-M1-40-3000-P-AL
50	2.4m	12.2	HG	R2-M2-50-2400-P-HG
50	3.0m	15.2	HG	R2-M2-50-3000-P-HG
50	2.4m	13.3	SS	R2-M2-50-2400-P-SS
50	3.0m	16.6	SS	R2-M2-50-3000-P-SS
50	2.4m	9.9	AL	R2-M2-50-2400-P-AL
50	3.0m	11.7	AL	R2-M2-50-3000-P-AL

HG - Hot-dip Galvanised SS - Stainless Steel AL - Aluminium All dimensions are nominal, in metric sizes

# Swivelpole™ R2 M1 HVPT

Brownfields

Maxis™ joint with High Vibration Pole Top (HVPT)

2.4 - 3m

R2 M1 HVPT

Top

**DN 40**  
Plain



**Withstand extreme vibration with a High Vibration Pole Top (HVPT).**

## Brownfields

Convert rigid poles to lowering poles by installing a Maxis™ joint and renewing the pole top using the pole conversion tool kit, see page 27.

## Related Products

For optional accessories, see pages 28 - 32.

## ORDERING INFORMATION

### Swivelpole™ R2-M1 HVPT

Installed height	Weight (kg)	Pole top/base finish	Product code
2.4m	11.2	HG	R2-M1-HVPT-40-2400-P-HG
3.0m	13.0	HG	R2-M1-HVPT-40-3000-P-HG

HG - Hot-dip Galvanised All dimensions are nominal, in metric sizes

# Swivelpole™ PCTK

## Pole Conversion Tool Kit (PCTK)

Brownfields

Convert rigid poles to lowering poles by installing a Maxis™ joint using the Pole Conversion Tool Kit.

Simple conversion process without impact to existing wiring or design intent. All work takes place at platform level, eliminating the risks of working at heights. There is no need for hot work permits.



### ORDERING INFORMATION

#### Swivelpole™ PCTK

Suits Pole Sizes		Kit includes		Product code
DN	OD			
32	42.2mm	Pole conversion tool	Spare blades	PCTK-01
40	48.3mm	Ratchet pipe cutter	Socket wrench	
50	60.3mm	Marking tool	Cutting Oil*, Riggers bag	

All dimensions are nominal.

\*Not included for international orders.

# Swivelpole™ Accessories/Related Products

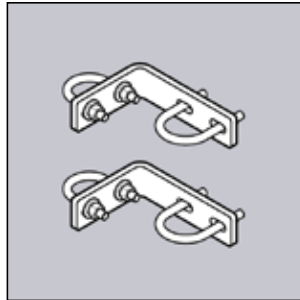
## Mounting Bracket Kits

Kit includes brackets and fasteners.

### Suits Stanchion Mounted Models

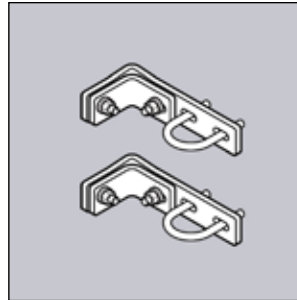
S3 M1

S3 M1 HVPT



**MBK2-2-40**

U-Bolt to stanchion



**MBK6-6-40**

Clamp to stanchion

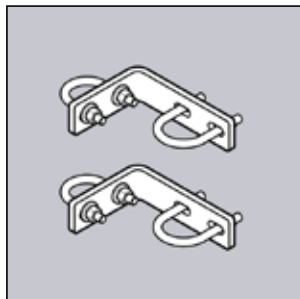
---

### Suits Stanchion Mounted Models

S1 M1

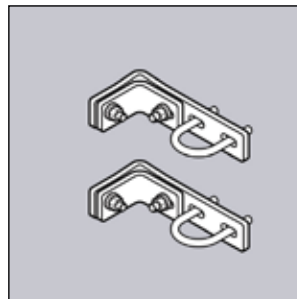
H2 M1

S1 M1 HVPT



**MBK2-2-50**

U-Bolt to stanchion



**MBK6-6-50**

Clamp to stanchion

---

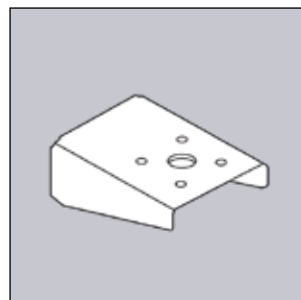
### Suits Structure Mounted Models

ST4 M1

ST4 M1 HVPT

HST4 M1

ST7 M2



**MBK9-002**

Bolt to structure

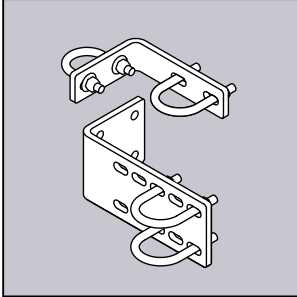
# Mounting Bracket Kits

Kit includes brackets and fasteners.

## Suits Stanchion & Structure Mounted Models

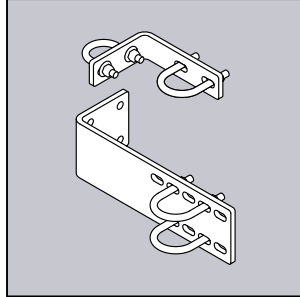
S3 M1

S3 M1 HVPT



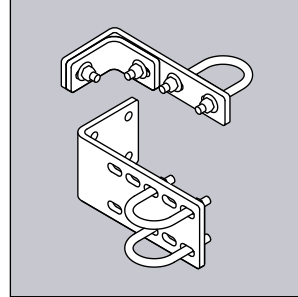
**MBK2-5-40**

U-Bolt to stanchion  
& Bolt to structure



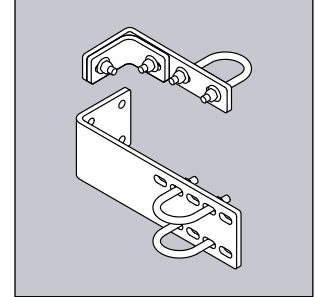
**MBK2-5A-40**

U-Bolt to stanchion  
& Bolt to *offset* structure



**MBK6-5-40**

Clamp to stanchion  
& Bolt to structure



**MBK6-5A-40**

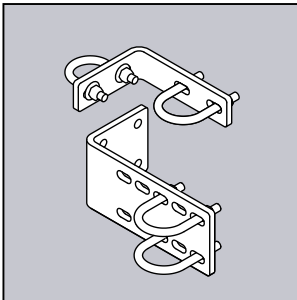
Clamp to stanchion  
& Bolt to *offset* structure

## Suits Stanchion & Structure Mounted Models

S2 M1

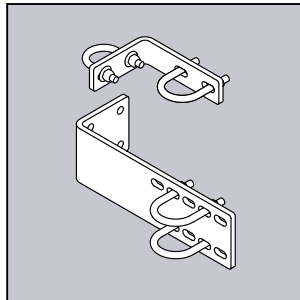
H2 M1

S2 M1 HVPT



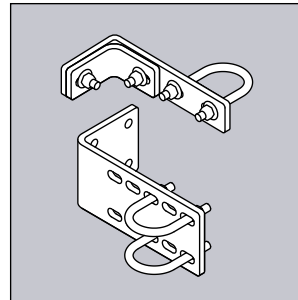
**MBK2-5-50**

U-Bolt to stanchion  
& Bolt to structure



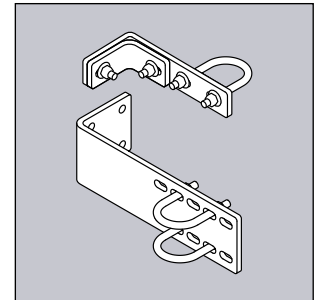
**MBK2-5A-50**

U-Bolt to stanchion  
& Bolt to *offset* structure



**MBK6-5-50**

Clamp to stanchion  
& Bolt to structure



**MBK6-5A-50**

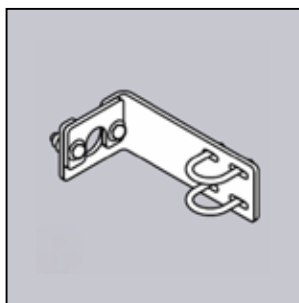
Clamp to stanchion  
& Bolt to *offset* structure

## Suits Stanchion & Structure Mounted Models

S2 M1

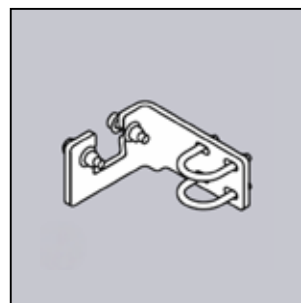
H2 M1

S2 M1 HVPT



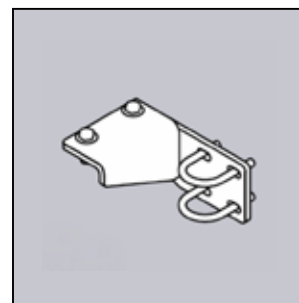
**MBK2S-10A-50**

No-drill



**MBK2S-10B-50**

No-drill



**MBK2S-10C-50**

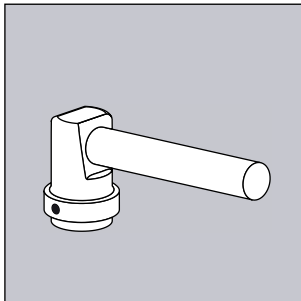
No-drill

Suitable for SO stanchion Suitable for S or SC stanchion Suitable for P stanchion

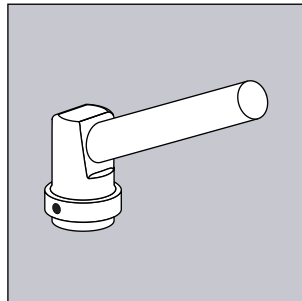
# Luminaire Mounting Kits

Suits DN40 and DN50 pole tops.

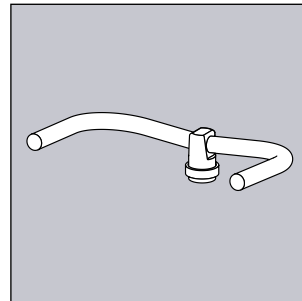
## Fluorescent · LED · Other



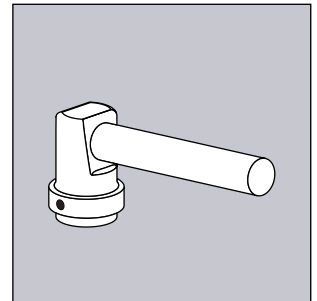
**LMK1101**



**LMK1111**

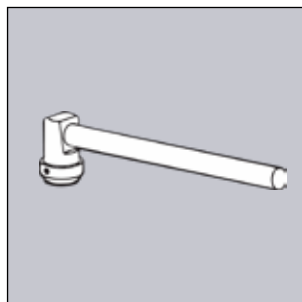


**LMK1205**

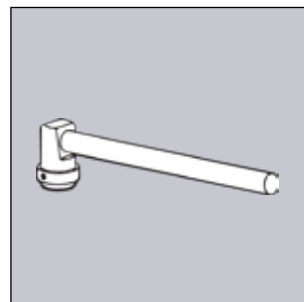


**LMK2101**

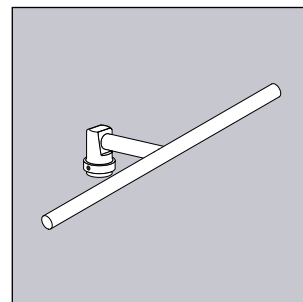
## Fluorescent



**LMK2301**

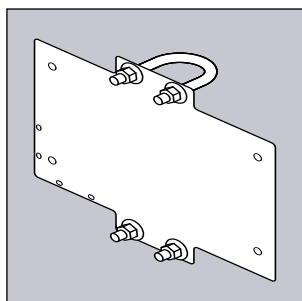


**LMK2302**

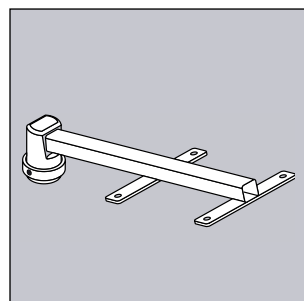


**LMK2304**

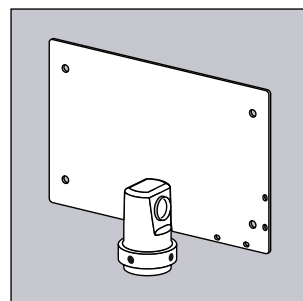
## Bulkhead



**LMK4101**



**LMK4303**

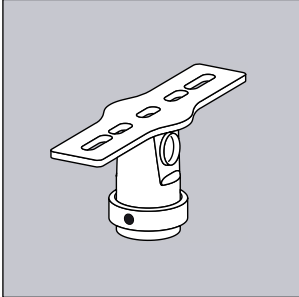


**LMK4402**

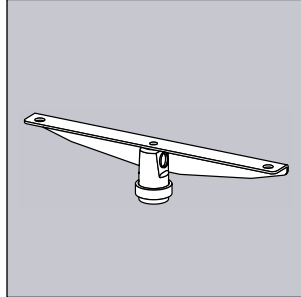
# Luminaire Mounting Kits

## Floodlight

Suits DN40 and DN50 pole tops.



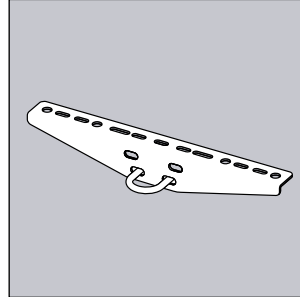
**LMK5101**



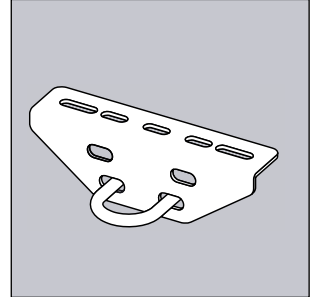
**LMK5201**

## Universal - CCTV

Suits DN40, DN50 and DN65 pole tops.



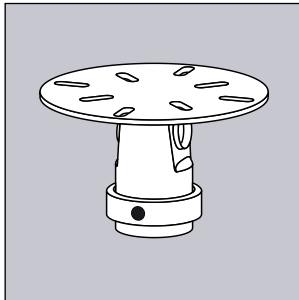
**LMK5211**



**LMK5129**

## Alarm - Beacon - Siren

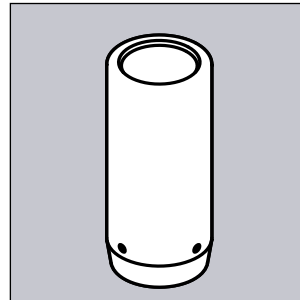
Suits DN40 and DN50 pole tops.



**LMK6101**

## Expander

Suits DN40 pole tops.



**LMK8401**

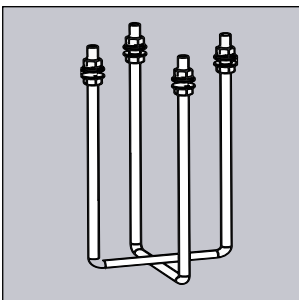
# Footing Solutions

Suits Models

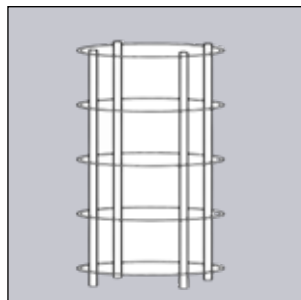
**F7 M2**

**G5**

## Concrete



**Cage Bolt  
CBK130**



**Reinforcement  
Cage**

## Concrete Free



Note: Swivelpole collaborates with Surefoot to offer optional footing solutions. Contact Surefoot directly for purchases and enquiries regarding their footing systems.



# Junction Box Plate Kits

Designed for installations in accordance with IEC standards.

Suits Models

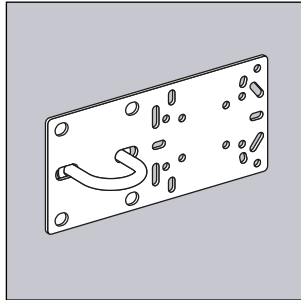
**S1 M1**

**S2 M1**

**ST4 M1**

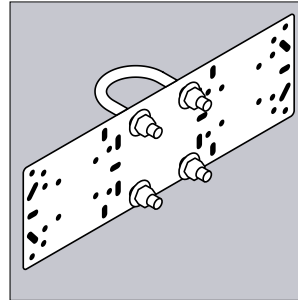
**HST4 M1**

**H2 M1**



**JBPK1208-50**

Single Offset



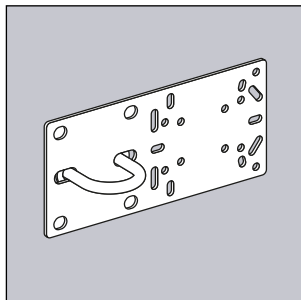
**JBPK1201-50**

Double, centre mounted

Suits Models

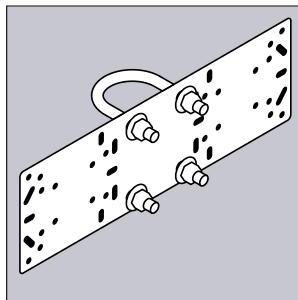
**S3 M1**

**S3 M1 HVPT**



**JBPK1208-40**

Single Offset



**JBPK1201-40**

Double, centre mounted

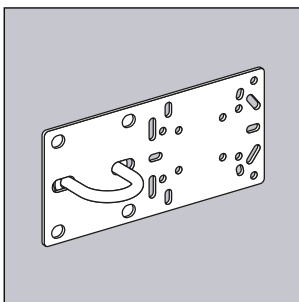
Suits Models

**ST7 M2**

Suits Models

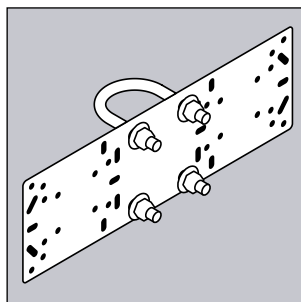
**C1 M1**

**C2 M2**



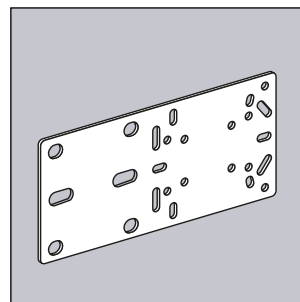
**JBPK1208-65**

Single Offset



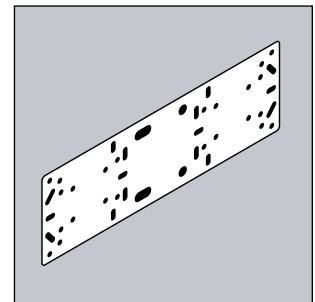
**JBPK1201-65**

Double, centre mounted



**JBP1208**

Single Offset



**JBP1201**

Double, centre mounted

## Technical Specifications & Warranties

MAXIS™ JOINT MATERIAL & FINISH	
Material: Cast AISI 1045 Steel / EN-GJS-500-7 Ductile Iron	Material: Stainless Steel - Grade AISI 316 Investment Cast
Finish: Hot-dip galvanised (HG)	Finish: Electrolytic polishing
Compatible with aluminium products.	

Note: Maxis™ M1 and M2 components form part of lowering light poles which are supplied independent of light fixture. As the final structural loading is dependent on the light fixture fitted and installation location, it is the design responsibility of the specifying engineer to ensure the structural adequacy of the model contained in the final installed light pole assembly, based on the limits of its structural elements provided above.

MANUFACTURING STANDARDS – MAXIS™ ASSEMBLIES	
Steel Structures	AS 4100
Structural Design Actions	AS/NZS 1170
Steel Pipe	AS/NZS 1163 & ASTM A500
Stainless Steel Pipe	ASTM A312 & ASME B36.19
Hot-dip galvanising	ASTM A123 (USA) CSA G164 (Canada) AS/NZS 4680 (Australia)
Aluminium Pipe 6061 T6 or 6082 T6	AS/NZS 1866 (Australia) ASTM B429 (USA & Canada)

**DISCLAIMER**  
The adequacy of the guardrail and supporting structure must be verified by a site approved engineer. Swivelpole and or Exemplar Products Pty Ltd, subsidiaries and related entities (“Swivelpole”) will accept no responsibility for failure due to inadequacy of the supporting structure or guardrail to which the Maxis™ is mounted.

CERTIFICATION & CLASSIFICATION	
<p>Maxis™ M1 and M2 models are listed by CSA as Certified under Master Contract number 257018, Certificate of Compliance 2568504, to the following standards:</p> <ul style="list-style-type: none"> <li>• CSA Class 3426 02 - CSA C22.2 No.250.00-18 (Canada)</li> <li>• CSA Class 3426 82 - UL 1598; 4th Edition (US):</li> </ul> <p>Acceptable for installation in Class 1, Division 2, Group A, B, C, and D Hazardous Locations, CSA Document 70216456. Complies with the following standards, to the extent applicable:</p> <ul style="list-style-type: none"> <li>• CSA C22.2 No. 213-17/UL12.12.01_9th Edition Requirements for Class I, Division 2 equipment</li> <li>• C22.1 – 2018 Canadian Electrical Code Part 1; Safety Standard for Electrical Installation</li> </ul> <p>ATEX - TUV RHEINLAND - Statement for non-applicability of Directive 2014/34/EU - Maxis™ M1 &amp; M2 Series. Manufacturers EU Declaration of Conformity - CE - Maxis™ M1 and M2 Series. Manufacturers UK Declaration of Conformity - UKCA - Maxis™ M1 and M2 Series.</p> <p>Acceptable for installation in Class II Division 2, Groups E, F and G Hazardous Locations, CSA Document 70216455. Class II Division 2 product available upon request.</p>	
<p>Maxis™ M1 and M2 models have been evaluated as structurally adequate by a 3<sup>rd</sup> party Structural Engineer (Structural Certificate T-18-462, T-19-066 (Stainless Steel)) in accordance with the following relevant publications:</p> <ul style="list-style-type: none"> <li>• National Building Code of Canada - Canadian wind-load data</li> <li>• CSA Standard S6 - Canadian Highway Bridge Design Code</li> <li>• CSA standard S16 (steel poles)</li> <li>• AASHTO (American Association of State Highway and Transportation Officials), standard</li> <li>• LTS (Standard Specifications for Structural Supports for Highway Signs, Luminaires and Traffic Signals)</li> </ul> <p>The models are suitable for specification in the USA and Canada when loadings have been calculated in accordance with the above standards and design actions as listed in the Structural Certificate referenced above.</p>	



**DESIGN COMPLIANCE**  
The Swivelpole™ product range has been developed to meet the design criteria of a range of site conditions, including hurricane/cyclonic winds and hazardous environments.  
For additional information on our products and product configurations to suit your design compliance needs, please contact us at sales@swivelpole.com. Site engineers are responsible for determining the relevant design criteria, including design wind speed and to select the appropriate products from the Swivelpole™ product range to meet this criteria.

**WARRANTIES\***

**10 year limited warranty**

1. All equipment and goods are warranted by the seller to be free from defects in material and workmanship for ten (10) years from the date of shipment.  
Normal wear of equipment or goods, equipment or goods which are misused, abused, or damaged, or not used in accordance with the seller's instructions are excluded in this warranty.  
No warranty shall apply or responsibility be taken for any modifications, alterations or additions to the standard product design. This includes exceeding recommended maximum weights for any fittings or exceeding the installed height.  
Where the product is exposed to caustic chemicals or harsh chemical, marine and salt environments, the protective coating or finish is not warranted, nor any subsequent corrosion of unprotected product or components.  
Optional material finish of powder coating is completed by third parties and whilst all care is taken by Swivelpole™, warranty is limited to the (12) months Supplier's standard warranty. This warranty does not apply to equipment or goods which are misused, abused or damaged or not used in accordance with seller's instructions. Normal wear of equipment or goods are excluded in this warranty. All care should be taken for the longevity of the powder coat finish.  
The adequacy of the High Vibration Pole Top (HVPT) is not guaranteed/warranted for specific site suitability due to the vibration frequency variances in site and structure conditions. We can guarantee that the HVPT will improve performance and extend design life when compared to an ordinary pole exposed to the same vibrations. Swivelpole and or Exemplar Products Pty Ltd, subsidiaries and related entities (“Swivelpole”) will accept no responsibility or liability, direct or consequential, for failure of this product.

2. Equipment or goods not manufactured by the seller but supplied through the seller shall carry the warranty of the original manufacturer.  
The seller's sole liability under this warranty shall be limited to either replacing or repairing without charge, at its factory or elsewhere at its discretion, any equipment or goods not meeting this warranty, or at seller's option, refunding the purchase price. The seller shall in no event be liable for any other direct or any special indirect or consequential damages of any kind under this contract or otherwise.  
\* Subject to change without notice.

BENDING MOMENT CAPACITY			
The following summarises the capacity of pole tops tested with the Maxis™ joint assembly and the load exceeded in testing. The tabulated capacities represent the loading in which testing was terminated and the joint remained functional.			
Maxis™ Model	Max Top Pole Size (GR350 Carbon Steel / GR205 Stainless Steel)	Joint capacity exceeded in testing (kNm)	
		Carbon steel	Stainless steel
M1	DN32 (42.4x4.9)	3.11	1.64
M1	DN40 (48.3x3.67)	3.11	1.64
M2	DN50 (60.3x5.54)	5.23	2.76

**COPYRIGHT & PATENT**  
This document is the property of and protected by copyright owned by Swivelpole and or Exemplar Products Pty Ltd. The designs and other information embodied in this document comprise confidential information of Swivelpole and or Exemplar Products Pty Ltd and form part of products covered by international patents and registered designs including US patent No 6957832 and US patent No 9945143. Unauthorised use, reproduction and disclosure are strictly prohibited.





## **SWIVELPOLE™ LOWERING POLE SOLUTIONS**

**TRUSTED GLOBALLY BY  
ASX & FORTUNE 500  
COMPANIES**

Swivelpole™ is recognised globally for providing customers with simple, fast and affordable access to fixtures and equipment.

Our innovative access solutions eliminate the risk of working at heights, through the controlled lowering of equipment and fixtures to a safe and comfortable working position.

After over 25 years of continuous development and improvement, Swivelpole™ has developed a comprehensive product range to suit industrial, commercial and domestic applications up to 7 metres.

Swivelpole™ have an extensive global sales history to some of the world's largest companies and in the most remote and challenging environments. We continue to be specified as the product of choice for proven performance and Return on Investment.

### **SALES & SUPPORT**

**AUS : +61-8-9582-0870  
sales@swivelpole.com**

**7 Carleton Place,  
Greenfields 6210  
Western Australia**

Swivelpole™ © 2026

This document and all its contents is the property of Swivelpole Pty Ltd and or Exemplar Products Pty Ltd and is protected by copyright worldwide. Unauthorised use and reproduction is strictly prohibited. All rights reserved.

Every effort has been made to ensure that the information in this document is accurate. Swivelpole Pty Ltd and or Exemplar Products Pty Ltd are not responsible for printing or clerical errors.

The Maxis™ joint and Swivelpole™ product range is protected by patents and registered designs worldwide. All rights reserved.

# **ACCESS MADE EASY.**

