

Meteor Pendant 10

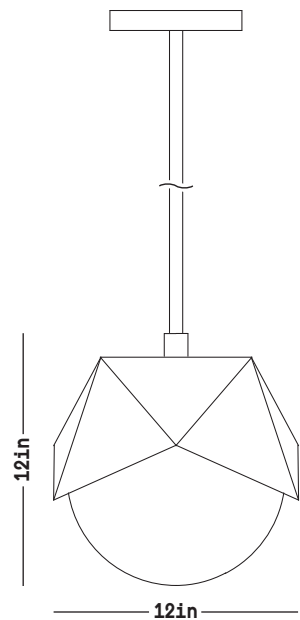
DIMENSION H: 12 inches
 W: 12 inches
 D: 12 inches
 Weight: 6 lbs

MATERIALS Stoneware, natural brass, matte white glass

STANDARD FINISHES White Lava
 Black Lava

ILLUMINATION [1] E12 bulb
 5W / 2700K / 550 lm / dimmable LED bulb included
 UL Listed

LEAD TIME 10-12 weeks



WHITE LAVA



BLACK LAVA