



Centre for Affordable
Water and Sanitation Technology

12, 2916 – 5th Avenue

Calgary, Alberta, T2A 6K4, Canada

Phone: + 1 (403) 243-3285, Fax: + 1 (403) 243-6199

E-mail: cawst@cawst.org, Website: www.cawst.org

CAWST, the Centre for Affordable Water and Sanitation Technology, is a nonprofit organization that provides training and consulting to organizations working directly with populations in developing countries who lack access to clean water and basic sanitation.

One of CAWST's core strategies is to make knowledge about water common knowledge. This is achieved, in part, by developing and freely distributing education materials with the intent of increasing the availability of information to those who need it most.

This document is open content and licensed under the Creative Commons Attribution Works 3.0 Unported License. To view a copy of this license, visit <http://creativecommons.org/licenses/by/3.0> or send a letter to Creative Commons, 171 Second Street, Suite 300, San Francisco, California 94105, USA.



You are free to:

- Share – to copy, distribute and transmit this document
- Remix – to adapt this document



Under the following conditions:

- Attribution. You must give credit to CAWST as the original source of the document. Please include our website: www.cawst.org

CAWST will produce updated versions of this document periodically. For this reason, we do not recommend hosting this document to download from your website.



CAWST provides mentorship and coaching on the use of its education and training resources.

Stay up-to-date and get support:

- Latest updates to this document
- Other workshop & training related resources
- Support on using this document in your work

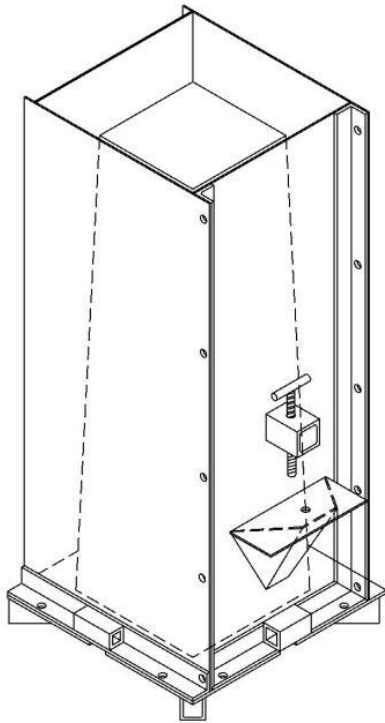
www.cawst.org

CAWST and its directors, employees, contractors, and volunteers do not assume any responsibility for and make no warranty with respect to the results that may be obtained from the use of the information provided.

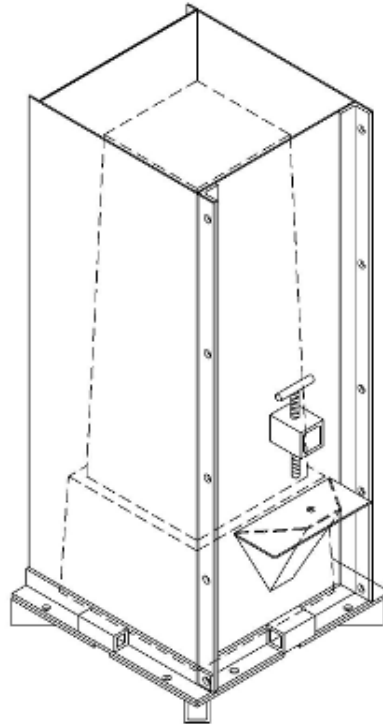
Biosand Filter Mold Versions



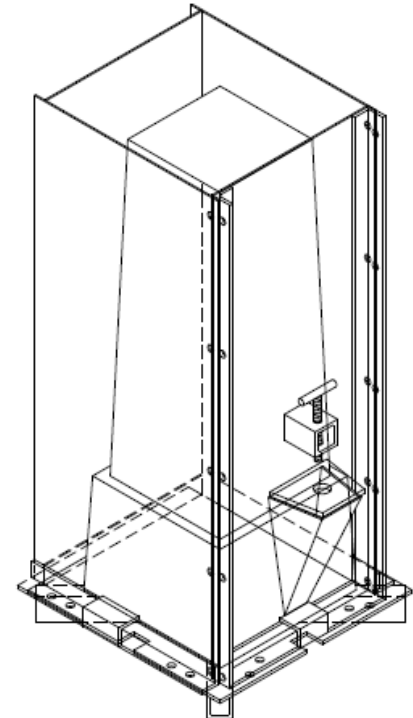
Biosand Filter Molds



**Version 10
(No Ledge)
Mold**



**Version 10
(With Ledge)
Mold**



**Version 9
(With Ledge)
Mold**