

# \*ZED Link Mono Capture Card

# GMSL2

## Deserializer board

Compatible with NVIDIA Orin™ NX and NANO,  
Xavier™ NX and NANO Developer Kit

Supports 1 ZED X/ ZED-X Mini camera or 1  
ZED X One camera

Requires external 5V to 19V DC power supply

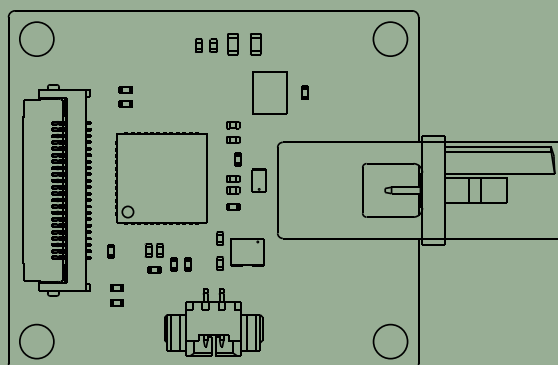
Support Power over cable (12V out)

Supports External Trigger / HW Sync through  
MFP0 (Out) and MFP1 (In) (J4 Header)

Deserializer: Maxim MAX9296A

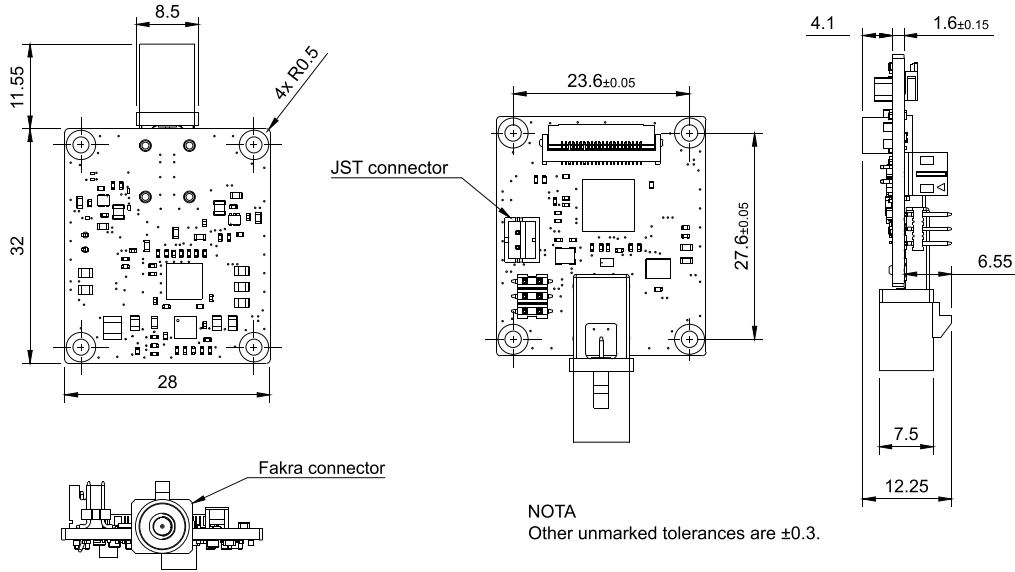
Operating temperature: -20°C ~ +85°C

Weight: ~ 8 g

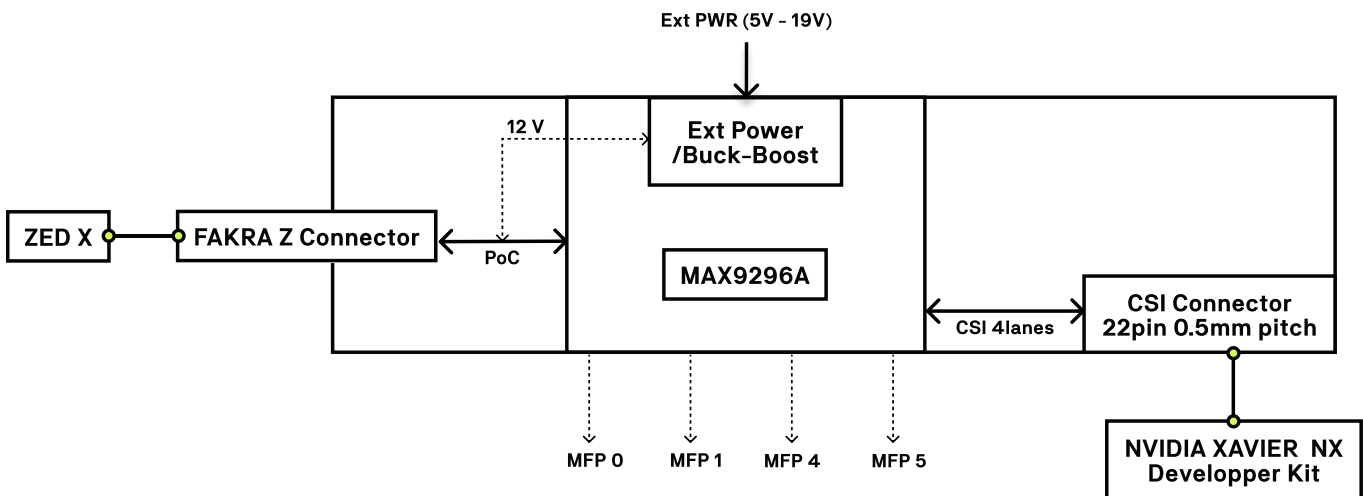


# \*ZED Link Mono Capture Card Technical Specifications

## Dimensions



## Functional diagram

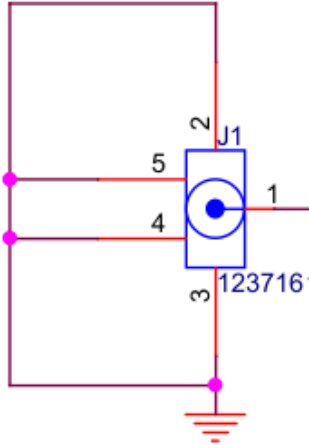


# \*ZED Link Mono Capture Card Interfaces

## Interface J1 (Fakra)

Part number 59S2AQ-40MT5-Z\_1

1 GMSL2 I/O



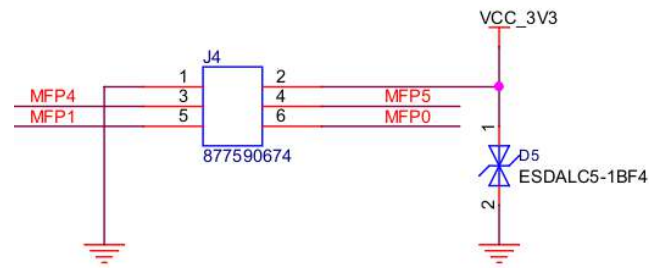
## Interface J4 (GPIO Header)

Part number Molex 877590674

6 pins 2 mm pitch

MFPO is used as FSync Output (master mode)

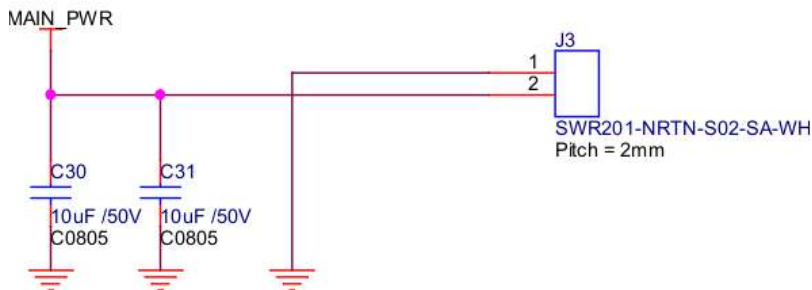
MFP1 can be used as FSync Input (slave mode)



## Interface J1 (External 5V - 19V)

Part number SWR201-NRTN-S02-SA-WH or B2B-PH-K-S

Pitch 2 mm



# \*ZED Link Mono Capture Card Interfaces

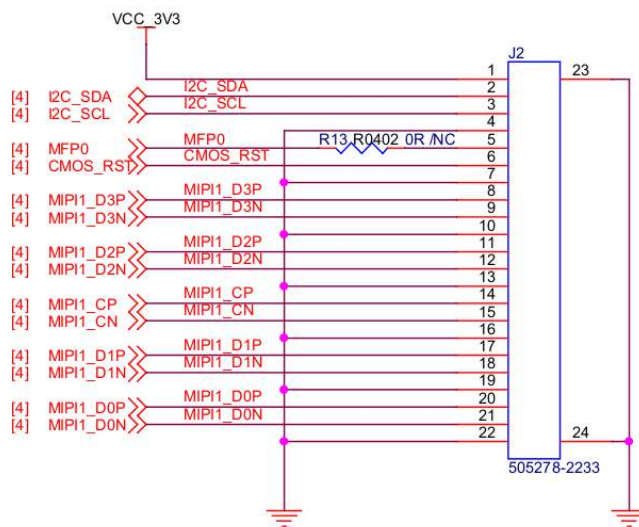
## Interface J2 (MIPI CSI 22 pins)

Part number Molex 505278-2233

22 pins 0.5 mm pitch

Use a 15 pins 1mm pitch to 22 pins 0.5mm pitch cable for Jetson Xavier NX or Nano devKit

Use a cables 22 pins 0.5mm pitch to 22 pins 0.5mm pitch OPP Side for Orin NX/Nano devKit



## Revision History

Revision	Description	Release date
1.0	First release	03/21/2023