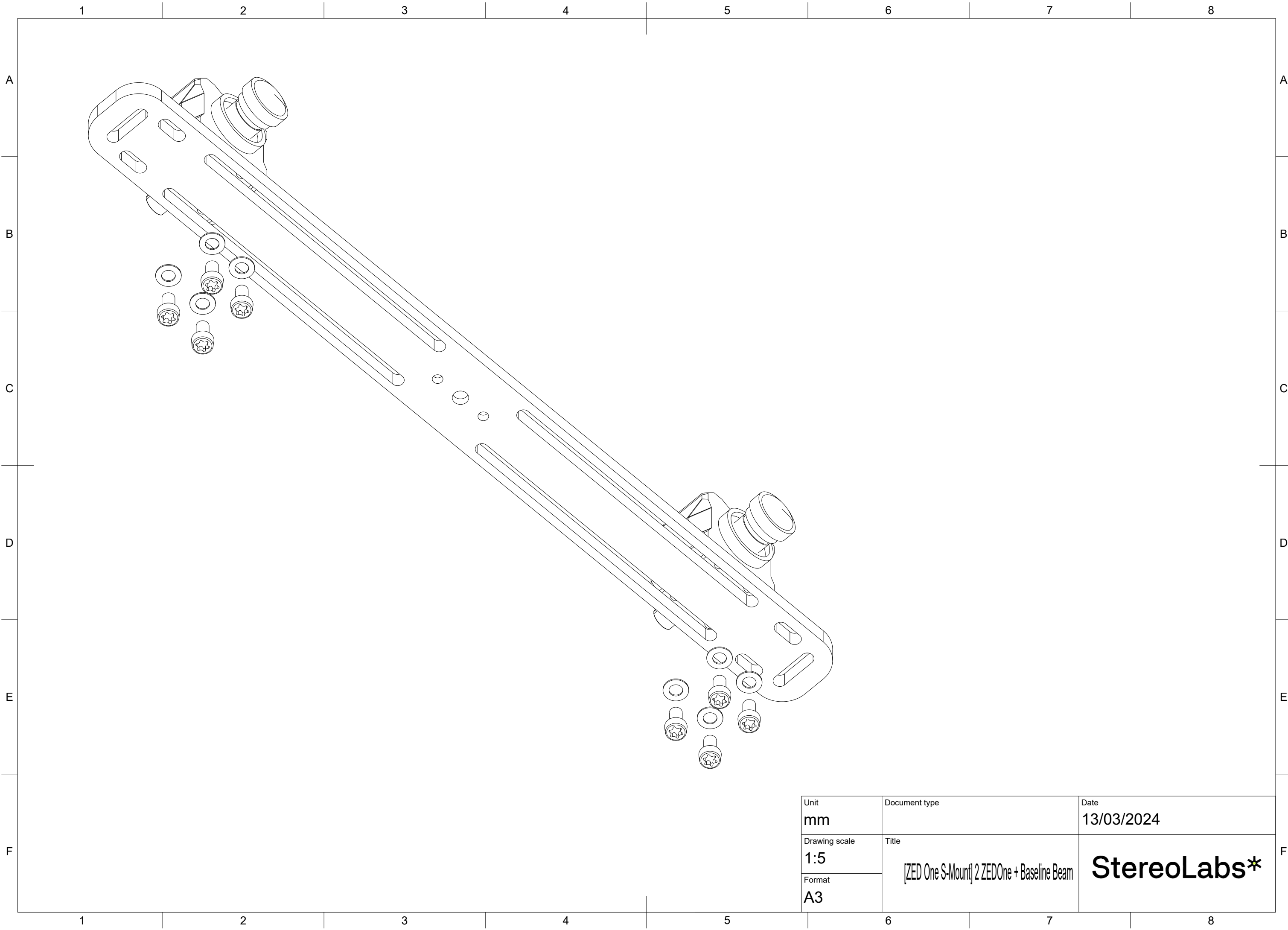


Unit mm	Document type	Date 13/03/2024
Drawing scale 1:5	Title [ZED One S-Mount] 2 ZEDOne + Baseline Beam	StereoLabs*
Format A3		



Unit mm	Document type	Date 13/03/2024
Drawing scale 1:5	Title [ZED One S-Mount] 2 ZEDOne + Baseline Beam	StereoLabs*
Format A3		