

*ZED Link Mono Capture Card

GMSL2

Deserializer board

Compatible with NVIDIA Jetson Orin™ Nano,
NVIDIA Jetson Orin™ NX

Supports all ZED Cameras

Requires external 5V to 19V DC power supply

Typical power consumption ~0.24W

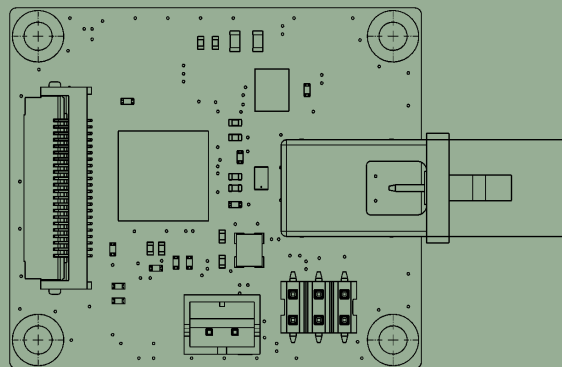
Support Power over cable (12V out)

Supports External Trigger / HW Sync through
MFP0 (Out) and MFP1 (In) (J4 Header)

Deserializer: Maxim MAX9296A

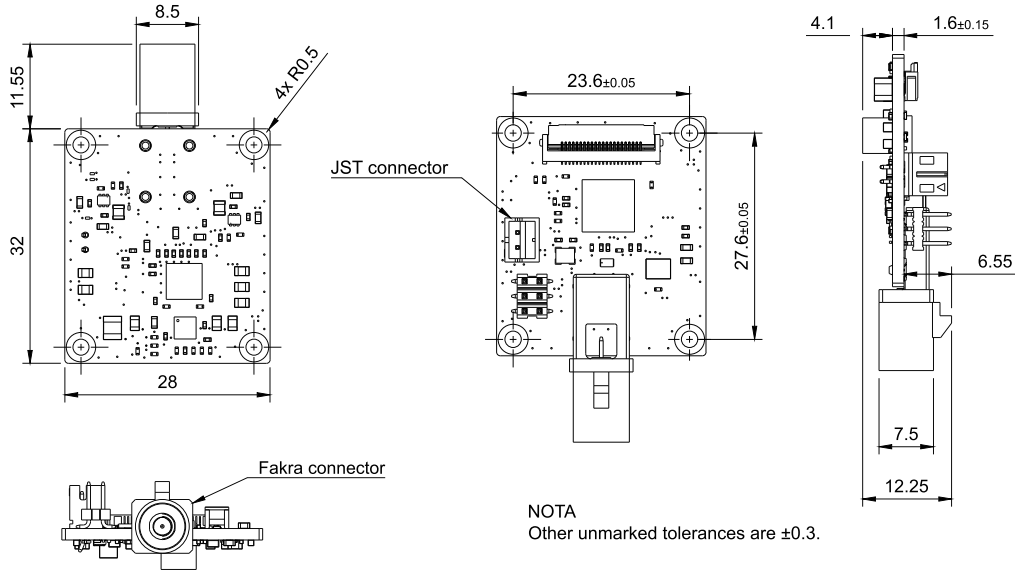
Operating temperature: -20°C ~ +85°C

Weight: ~ 8 g

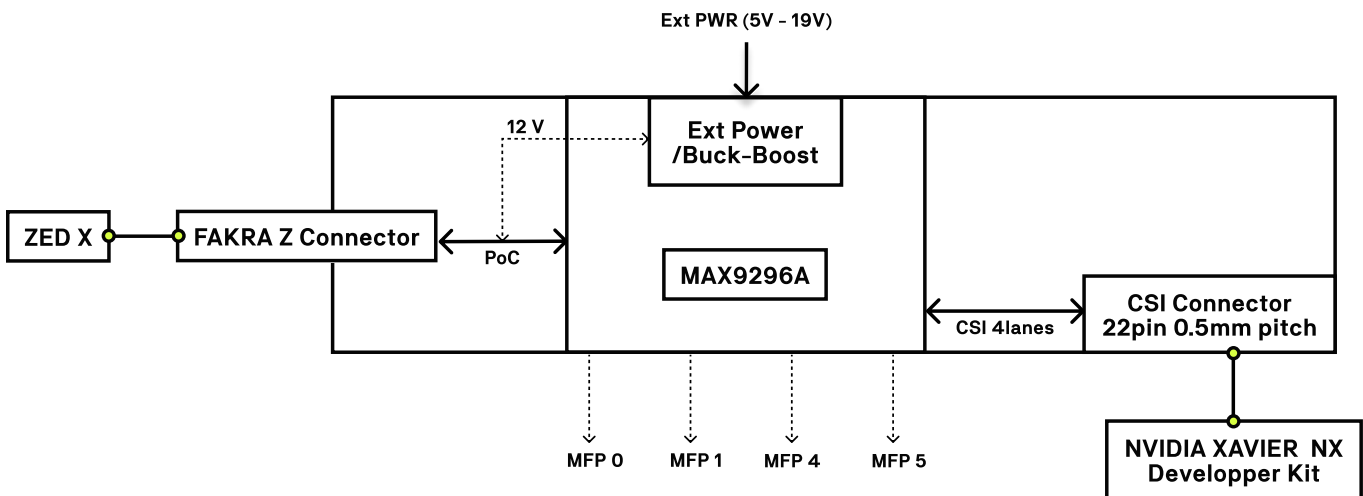


*ZED Link Mono Capture Card Technical Specifications

Dimensions



Functional diagram

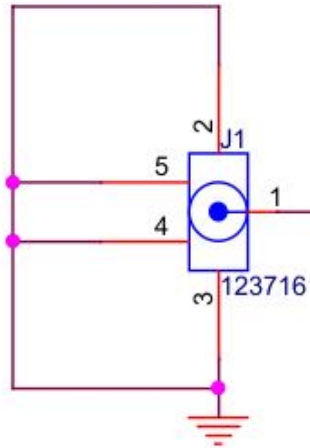


*ZED Link Mono Capture Card Interfaces

Interface J1 (Fakra)

Part number 59S2AQ-40MT5-Z_1

1 GMSL2 I/O



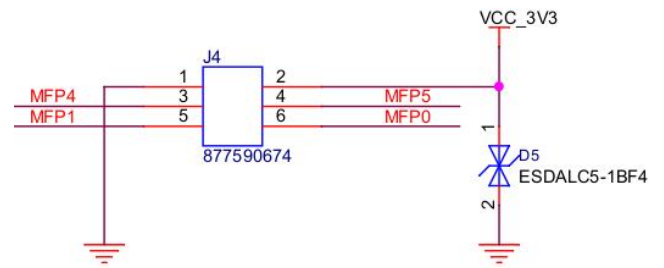
Interface J4 (GPIO Header)

Part number Molex 877590674

6 pins 2 mm pitch

MFPO is used as FSync Output (master mode)

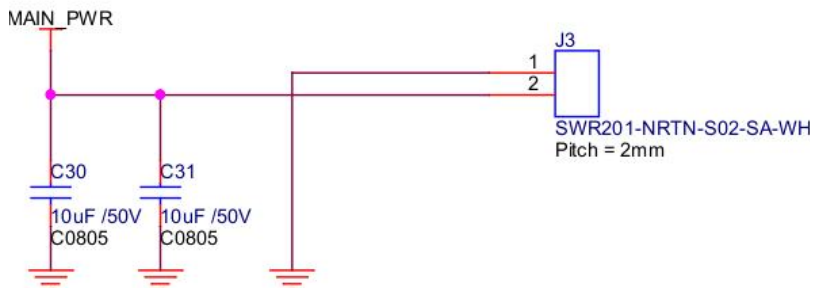
MFPI can be used as FSync Input (slave mode)



Interface J1 (External 5V - 19V)

Part number SWR201-NRTN-S02-SA-WH or B2B-PH-K-S

Pitch 2 mm



*ZED Link Mono Capture Card Interfaces

Interface J2 (MIPI CSI 22 pins)

Part number Molex 505278-2233

22 pins 0.5 mm pitch

Use a 15 pins 1mm pitch to 22 pins 0.5mm pitch cable for Jetson Xavier NX or Nano devKit

Use a cables 22 pins 0.5mm pitch to 22 pins 0.5mm pitch OPP Side for Orin NX/Nano devKit

