

*ZED Link Duo Capture Card

GMSL2

Deserializer board

Compatible with NVIDIA Jetson Orin™ Nano,
NVIDIA Jetson Orin™ NX, NVIDIA Jetson AGX
Orin™

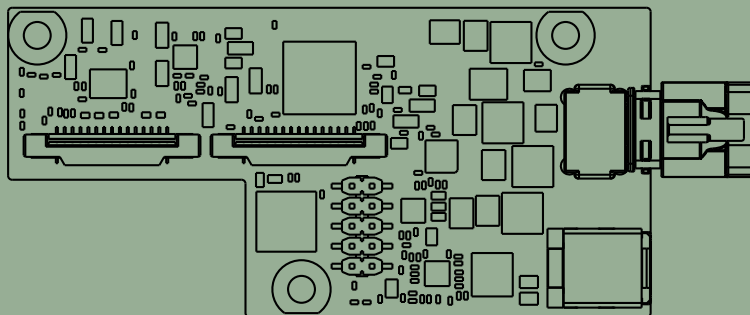
Supports up to 4 ZED X GS / ZED X Mini GS /
ZED X One GS and up to 2 ZED One 4k

Supports external 12V-19V DC power supply
Typical power consumption ~0.32W

Deserializer: Maxim MAX96712

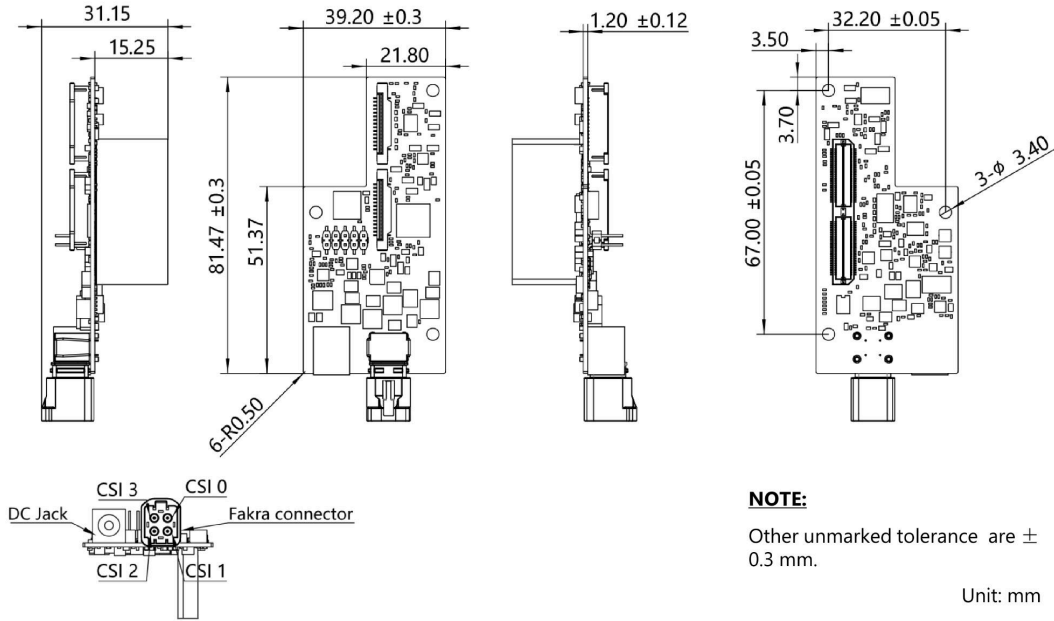
Operating temperature: -20°C ~ +85°C

Weight: ~ 30 g

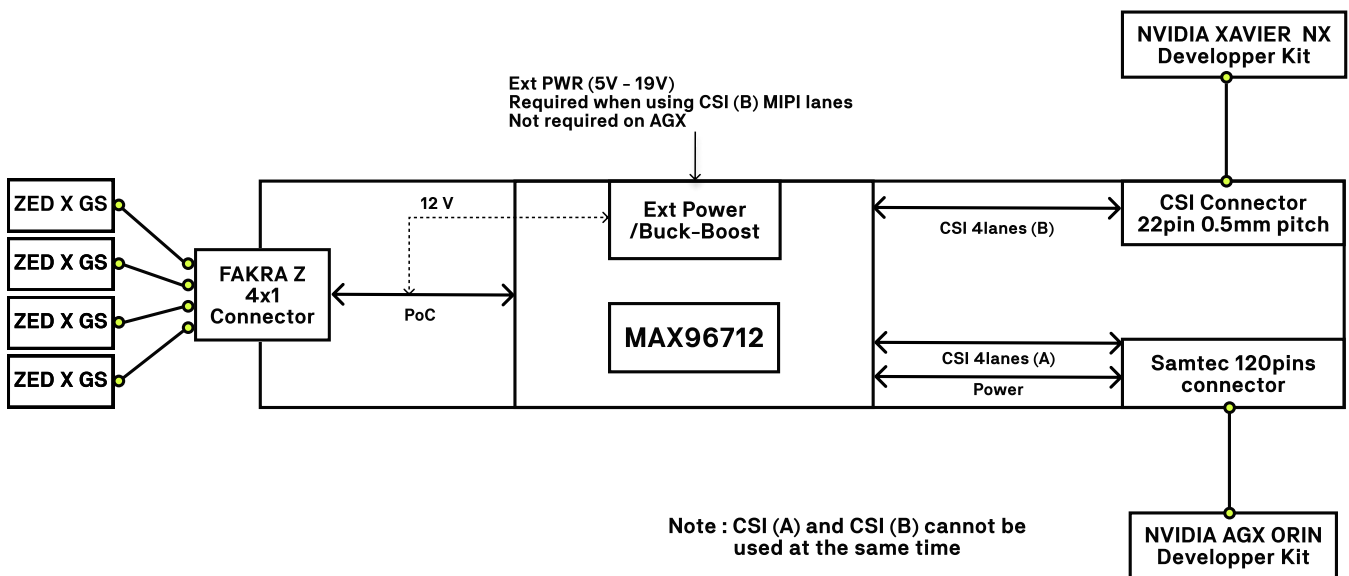


*ZED Link Duo Capture Card Technical Specifications

Dimensions



Functional Diagram

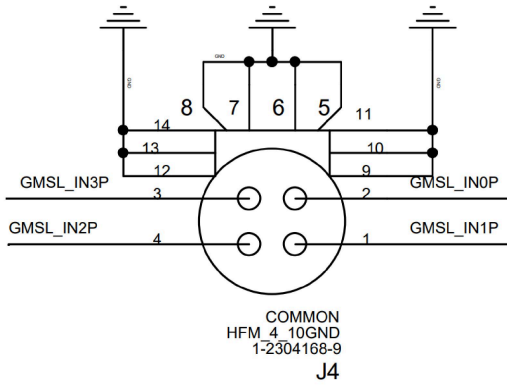


*ZED Link Duo Capture Card Interfaces

Interface J4 (Fakra)

Part number 1-2304169-Q

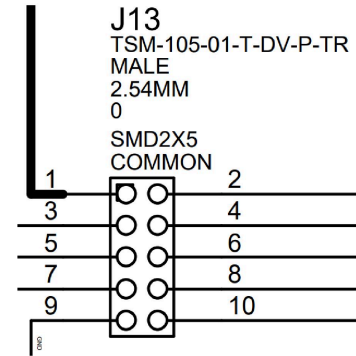
4 pins



Interface J13 (GPIO Header)

Part number TSM-105-01-T-DV-P-TR

10 pins



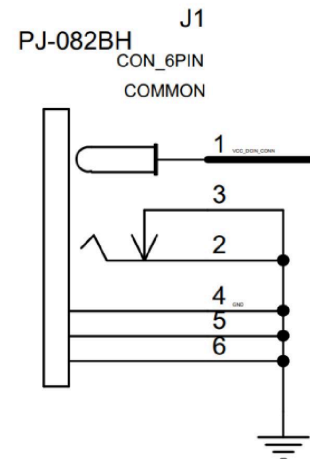
Interface J1 (External 19V)

Part number J-082BH

DC Jack

Inner diameter : 2.5mm

Outer diameter : 6.5mm



*ZED Link Duo Capture Card Interfaces

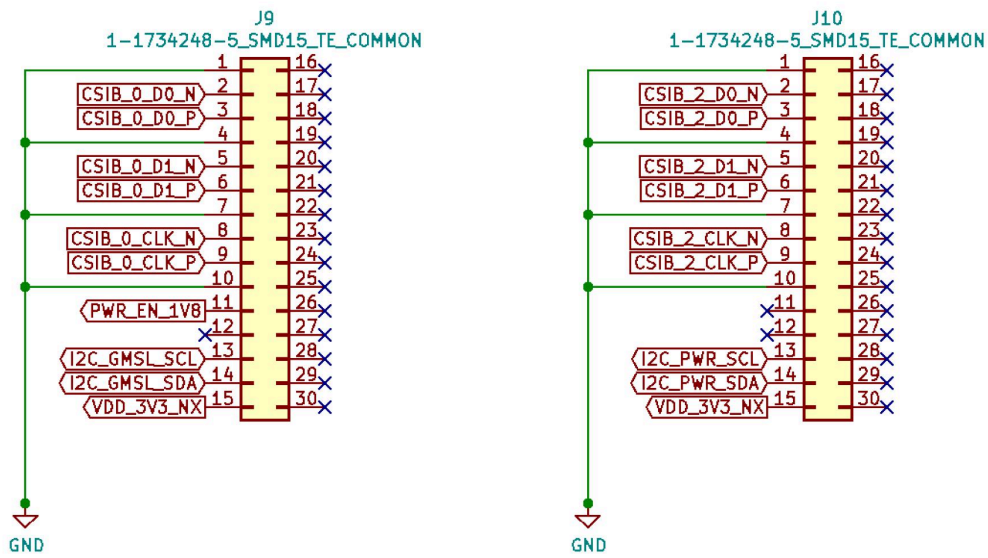
Interface J9 and J10 (MIPI CSI 15 pins)

Part number 1-1734248-5

2x15 pins

Can be connected to Jetson Orin™ and Xavier™ NX and Nano Developer Kits using Arducam 15 to 22 MIPI cables

Cannot be used simultaneously with the Samtec 120 pins connector J501mm



*ZED Link Duo Capture Card Interfaces

Interface J501 (Samtec to AGX)

Part number QTH-060-04-H-D-A-TR

120 pins

Can be used with Orin AGX and Xavier AGX Developer Kits

16mm board to board distance

