

XL750-800

Resistive Load Bank

750kW – 800kW



Shown with optional Outdoor Kit

Mosebach XL series of resistive load banks are designed for testing power supplies from 750kW up to 1500kW of various voltages. The XL series is designed for continuous use in the harshest climates and environments.

Each load bank comes equipped with manual controls and a digital meter with data logging capabilities. Every unit is Multi-Unit Remote Controller or MURC™ capable to combine multiple load banks to increase testing capacity with central control and data acquisition.

Features

1. Multi-Unit Remote Control MURC™ capable, manual controls including digital power quality metering with data logging standard.
2. Branch circuit fusing for all resistor element that are easily accessible.
3. Automatic voltage sensing and protection.
4. Automatic phase sensing and correction, spins blower in the right direction every time.
5. Rugged powder coated steel enclosure stands up to the toughest environments.
6. Integral fork lift channels for easy mobility.
7. Quick connect 400 amp color coded camlocks. Bus bar connections available.

Applications

- Generator Maintenance
- Uninterrupted Power Supplies
- Data Centers
- Renewable Energy
- OEM's

MOSEBACH MANUFACTURING COMPANY

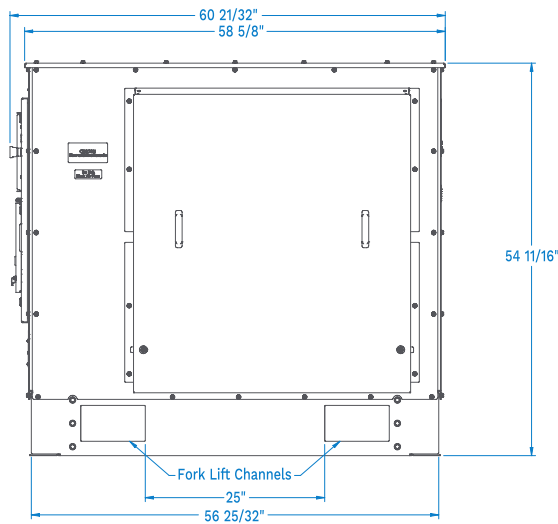
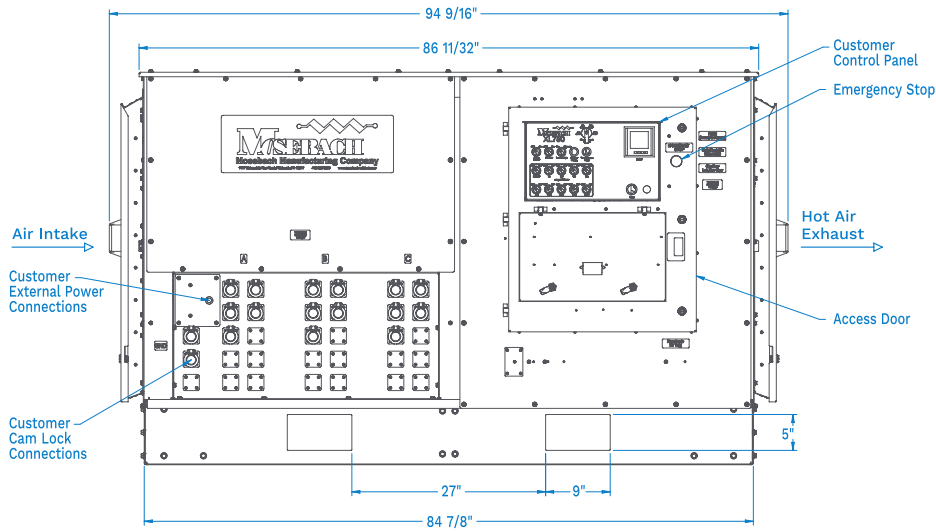
1417 McLaughlin Run Rd. | Pittsburgh, PA 15241 | 412-220-0200
loadbankquotes@mosebachresistors.com

www.mosebachresistors.com

XL750-800

Resistive Load Bank

750kW – 800kW



Option Configuration (Select One in Each Group)

CAPACITY

- 750 kW
- 800 kW

VOLTAGE

- 480 VAC 3-Phase 60hz
- 240 VAC 3-Phase 60hz
- 240/480 VAC 3-Phase 60hz

CONNECTION METHOD

- Cam-Lock Interface Kit
- Bus Bar Interface Kit

Option Add-Ons (Select Desired)

OPTIONAL KITS

- Remote Control Kit MURC
- Outdoor Installation Kit
- Outdoor Installation Kit w/Louver Covers
- Integral Space Heater Kit
- Extended 2 Year Warranty
- Extended 3 Year Warranty
- Starter Spare Parts Kit

OPTIONAL ACCESSORIES

- Equipment Trailer
- Equipment Trailer w/Motorized Cable Reels
- Cable Reel Enclosure
- Cable Storage Box
- 25 ft. Cable Set
- 50 ft. Cable Set
- 100 ft. Cable Set
- Generator Load Sensing
- Nationally Recognized Test Lab (NRTL) Approval

Model No.	Total kW	Resolution	Dimensions W x D x H	Weight
XL750	750	5 kW	95" x 61" x 55"	1400 lbs.
XL800	800	5 kW	95" x 61" x 55"	1500 lbs.

MOSEBACH MANUFACTURING COMPANY

1417 McLaughlin Run Rd. | Pittsburgh, PA 15241 | 412-220-0200
loadbankquotes@mosebachtresistors.com

www.mosebachtresistors.com

XL750-800

Resistive Load Bank

750kW – 800kW



Multi-Unit Controller Software

Mosebach's Multi-Unit Remote Controller Software is designed to help manage a single load bank or multiple load banks as one. It is able to be installed and run on any laptop.

The hardware consists of an I/O card that is installed in each load bank. The MURC™ is designed to help manage a group of load banks to get the full load that is needed at the testing site.



Mosebach's Coil Wound Resistors

Mosebach's Coil Wound Resistor have no ceramics and therefore are lighter and more durable than any other resistor on the market today. The resistors are supported by high temperature Mica supports that have been proven in Dynamic Braking Systems for locomotives and mining trucks all over the world. We are so confident in our resistor technology they come with a 2 year warranty, standard!



XL750-800 08/23

MOSEBACH MANUFACTURING COMPANY

1417 McLaughlin Run Rd. | Pittsburgh, PA 15241 | 412-220-0200
loadbankquotes@mosebachresistors.com

www.mosebachresistors.com