

8 7 6 5 4 3 2 1

D

C

B

A

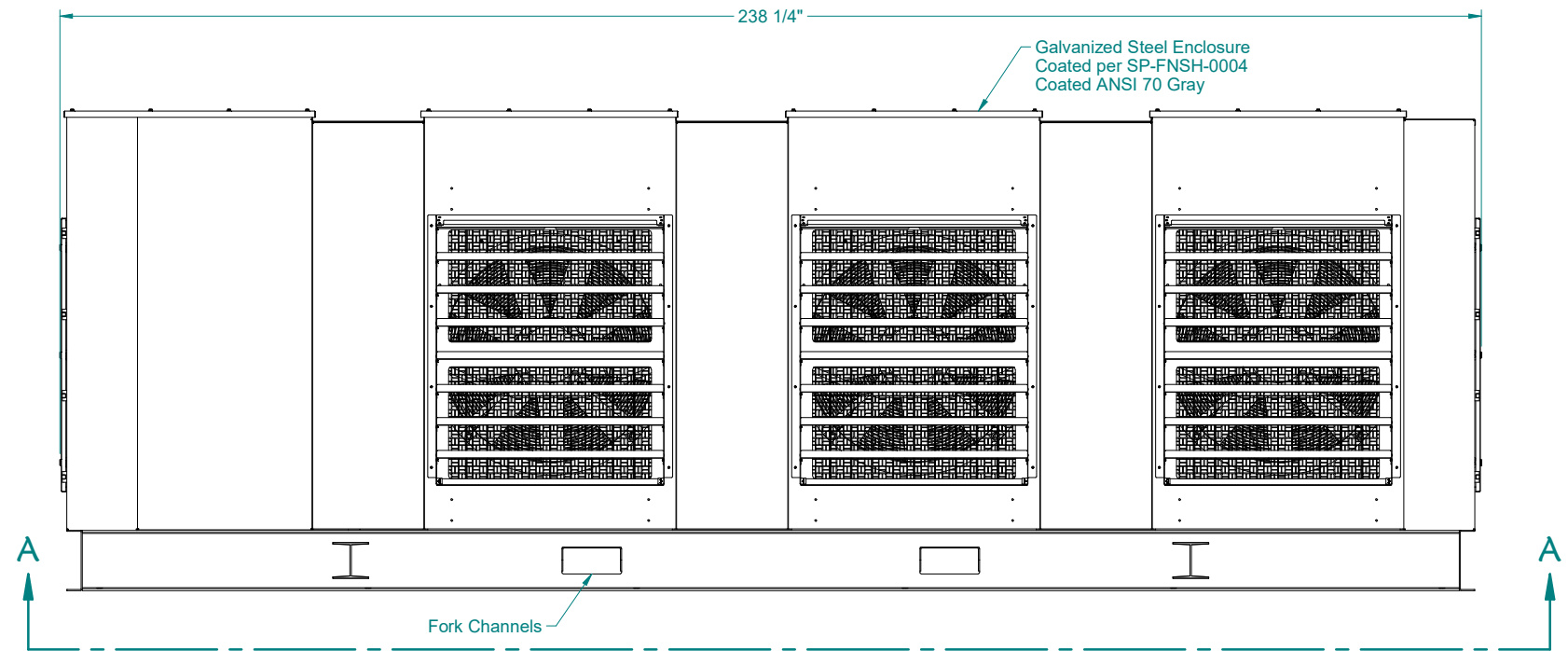
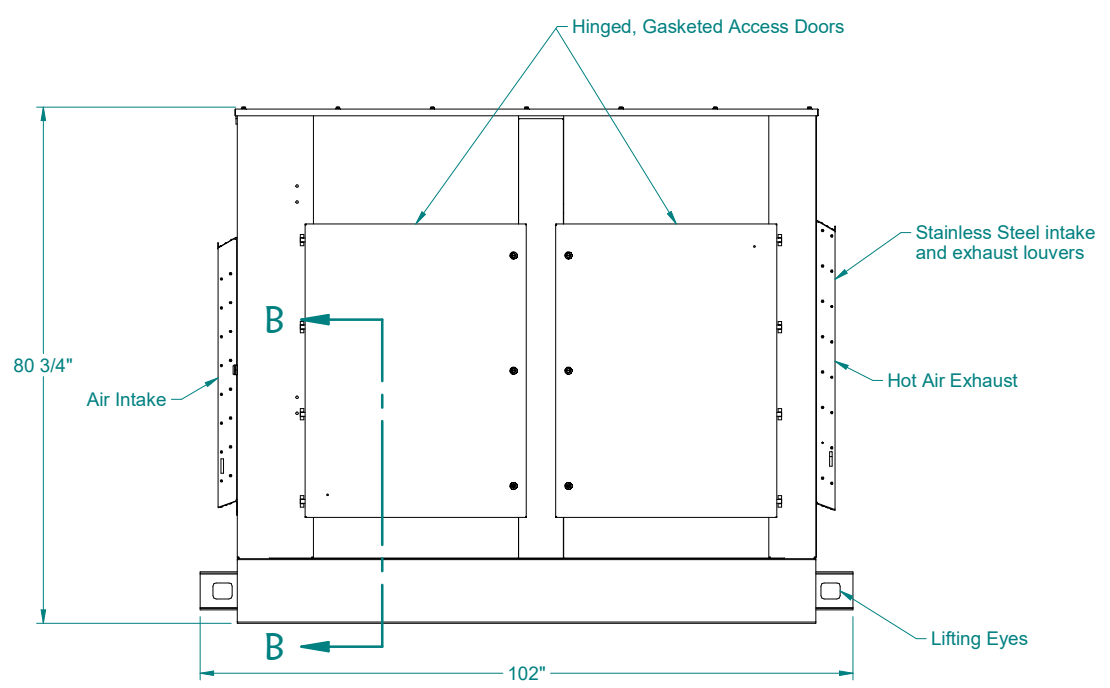
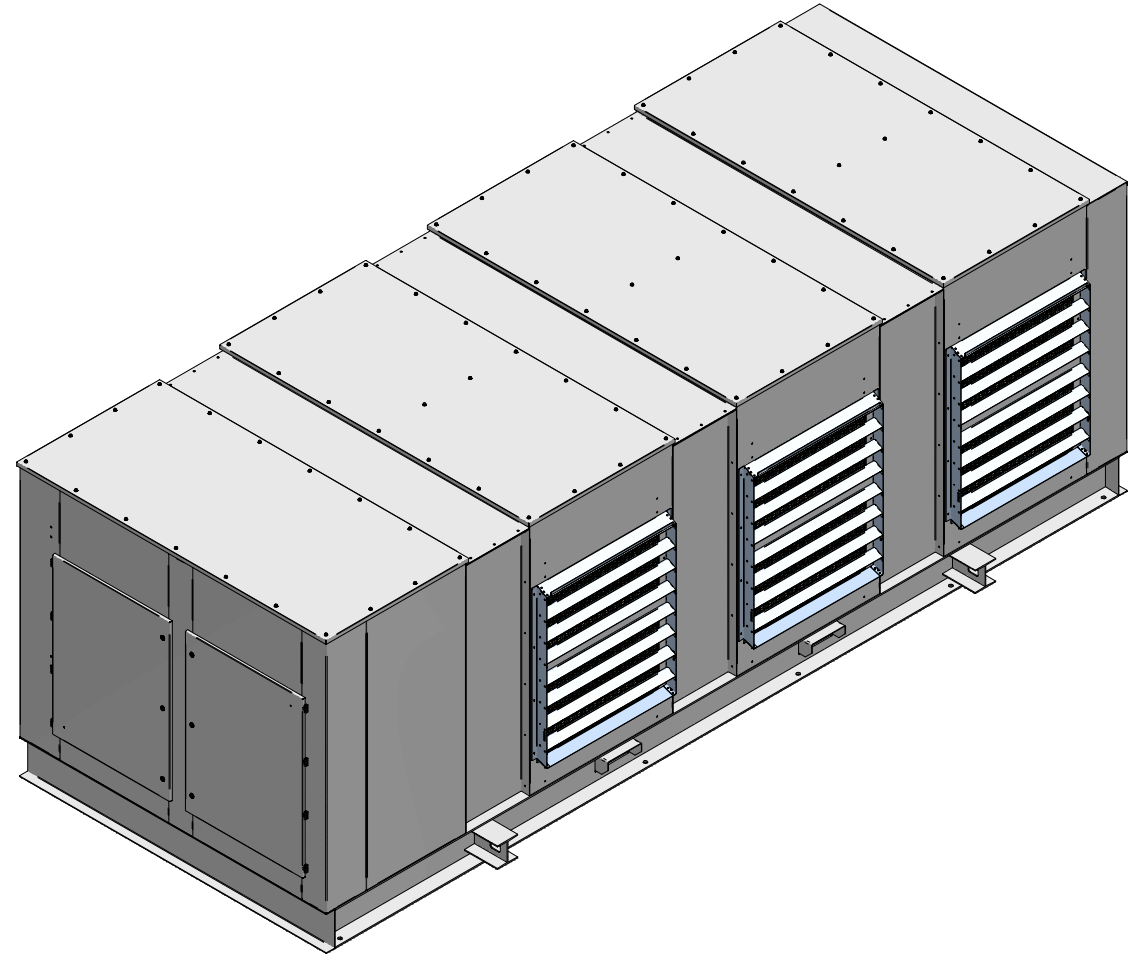
D

C

B

A

Load Resistors: 11kV 3-phase, 3-wire, wye connected, 50hz			
Step	Power (kW)	L-L Voltage	Line Current (A)
1	250	11000	13.12
2	500	11000	26.24
3	750	11000	39.36
4	750	11000	39.36
Total	2250		118.09
Blower Power: 400V 3-phase, 3-wire, 50hz			
Control Power: 230V 1-phase, 50hz			



Sheet 1 Of 2



MOSEBACH MANUFACTURING COMPANY
 1417 McLaughlin Run Road Pittsburgh, Pa 15241
 Phone: 412-220-0200 Fax: 412-220-0236 Web: www.mosebachersistors.com

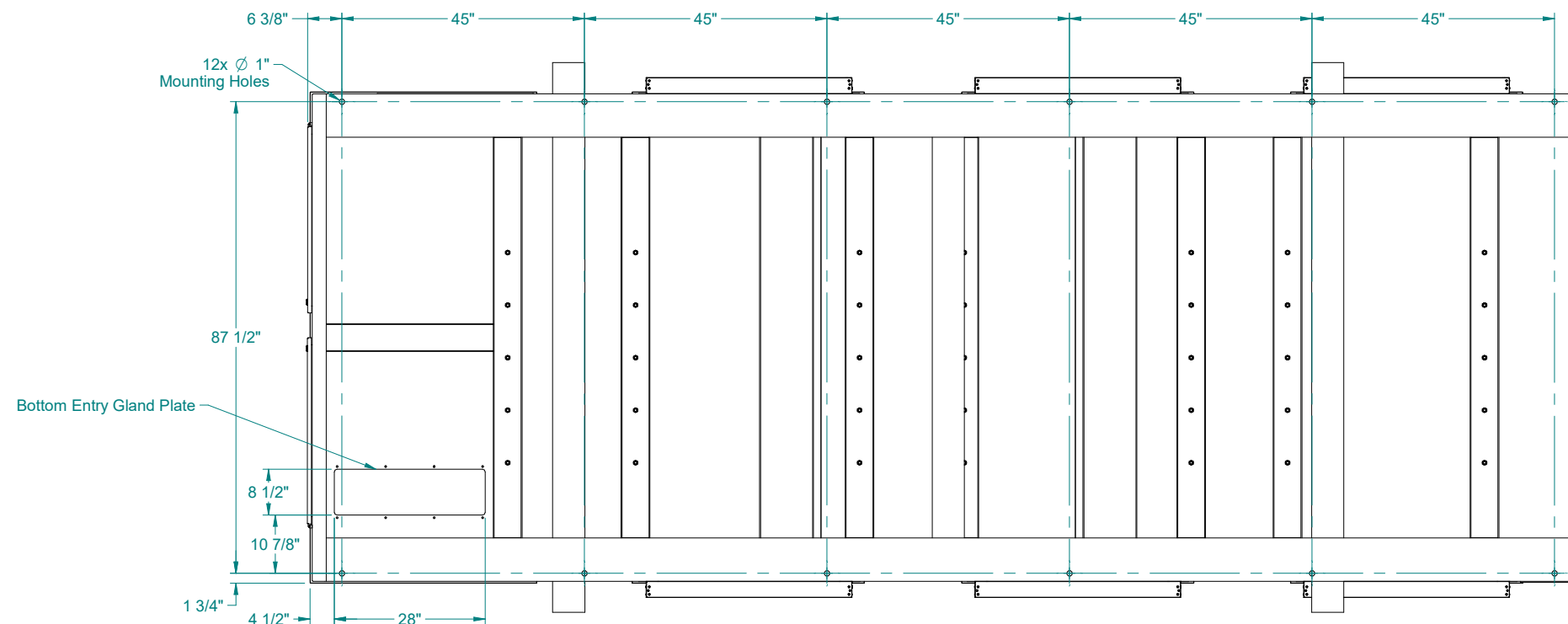
2250kW 11kVAC Load Bank
Sales Outline

Rev.	Description	Rev. By	Date	Tolerances
				.XX = +/- .03"
				.XXX = +/- .010"
				Ang. = +/- 2°

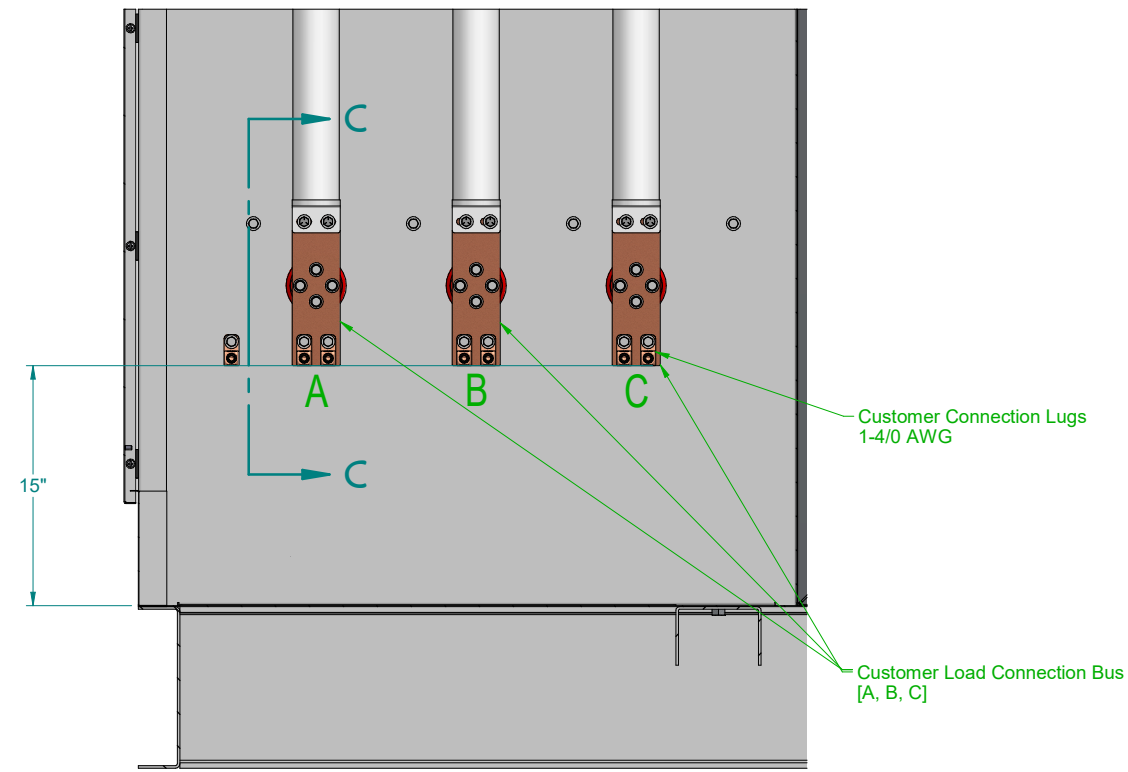
This drawing and/or specification contains proprietary information of Mosebach Manufacturing Co. Disclosure to any unauthorized individual of the information contained here within is prohibited except with written permission of Mosebach Manufacturing.

Drawn psalem 1/29/2019	Model psalem	Approved TRL	Part Number SLS-XE68	Rev. A
------------------------------	-----------------	-----------------	-------------------------	-----------

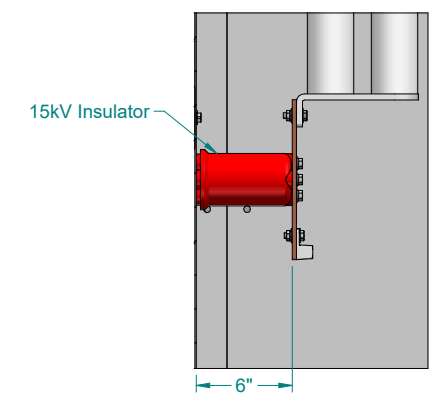
8 7 6 5 4 3 2 1



SECTION A-A



SECTION B-B



SECTION C-C

Sheet 2 Of 2

Rev.	Description	Rev. By	Date	Tolerances
				.XX = +/- .03"
				.XXX = +/- .010"
				Ang. = +/- 2°



MOSEBACH MANUFACTURING COMPANY
 1417 McLaughlin Run Road Pittsburgh, Pa 15241
 Phone: 412-220-0200 Fax: 412-220-0236 Web: www.mosebachersistors.com

2250kW 11kVAC Load Bank
Sales Outline

Drawn psalem 1/29/2019	Model psalem	Approved TRL	Part Number SLS-XE68	Rev. A
------------------------------	-----------------	-----------------	-------------------------	-----------