

XL300-400

Resistive Load Bank

300kW-400kW



Standard Features

1. Lightweight aluminum body
2. Quick high speed cooling fan
3. Forklift channels
4. 400 amp camlock power connections
5. Automatic Voltage Detection
6. Automatic Phase rotation
7. Digital Meter with Type B data port
8. Easy connect external power connections

Applications

- Generator Maintenance
- Uninterrupted Power Supplies
- Data Centers
- Renewable Energy
- OEM's

Building on its experience with resistors in the locomotive and mining truck world, Mosebach's XL400 load bank offers you a continuous load at various voltages in a compact, lightweight enclosure. The XL400 is the the smallest load bank in its class.

The digital meter allows you to measure power, voltage,

current and frequency while also allowing you to record the data as you do your testing.

Power connections are easily done with our camlock connections. External power is used for blower and control power if desired. You should be up and testing within minutes of connecting your power source.

MOSEBACH MANUFACTURING COMPANY

1417 McLaughlin Run Rd. | Pittsburgh, PA 15241 | 412-220-0200
loadbankquotes@mosebachresistors.com

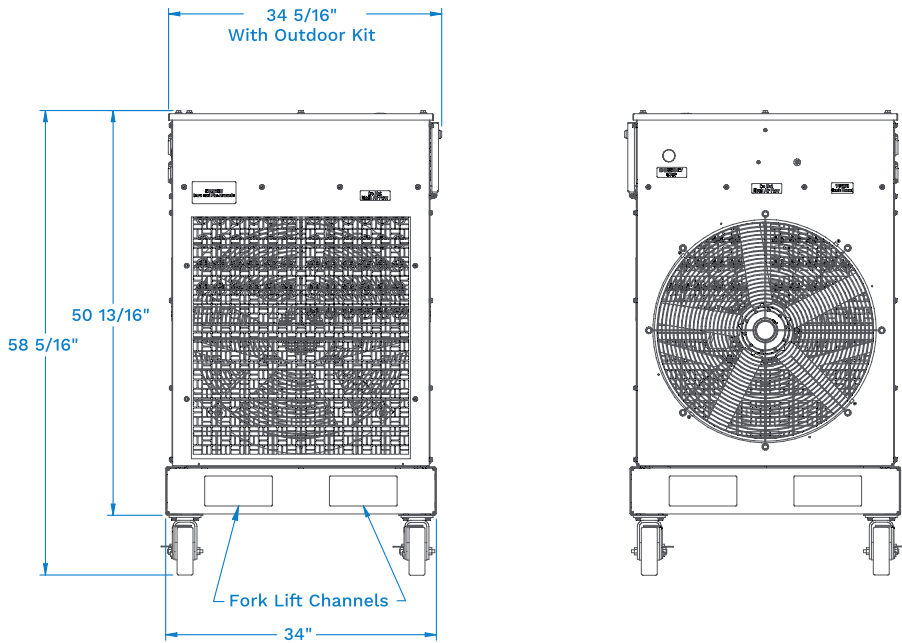
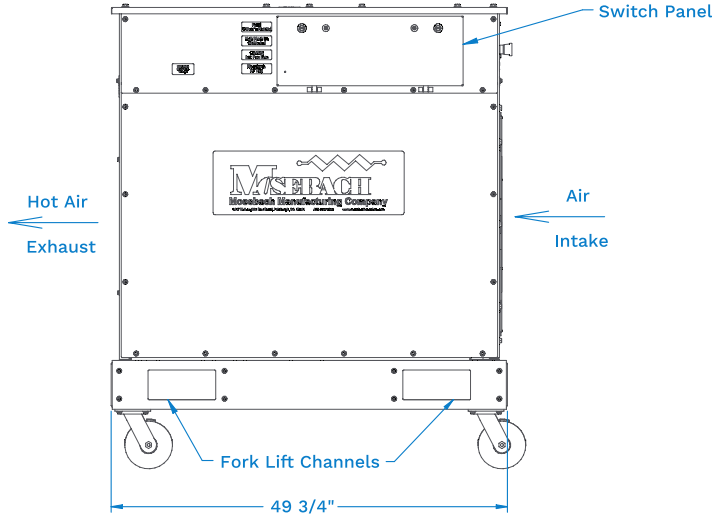
www.mosebachresistors.com

XL300-400

Resistive Load Bank
300kW-400kW



XL400



Option Configuration (Select One in Each Group)

CAPACITY

- 300 kW
- 400kW

VOLTAGE

- 600 VAC 3-Phase 60hz
- 480 VAC 3-Phase 60hz
- 240 VAC 3-Phase 60hz
- 240/480 VAC 3-Phase 60hz

CONNECTION METHOD

- Cam-Lock Interface Kit

Standard Configuration

Digital Meter

- To measure power, current, voltage and frequency
- Data logging to store tests to laptop

Safety

- Over temperature and over voltage sensors
- Ground camlock

Option Add-Ons (Select Desired)

OPTIONAL KITS

- Outdoor kit (control panel cover and rigid louvers)
- Mobility Kit (casters)
- Remote Control Kit MURC
- Permanent Install (No casters & Bus Bar connection)
- Extended 2 Year Warranty
- Extended 3 Year Warranty
- Starter Spare Parts Kit

OPTIONAL ACCESSORIES

- Equipment Trailer
- Equipment Trailer w/Motorized Cable Reels
- Cable Reel Enclosure
- 25 ft. Cable Set
- 50 ft. Cable Set
- 100 ft. Cable Set
- Nationally Recognized Test Lab (NRTL) Approval

Model No.	kW	Resolution (kW)	Dimensions (in.) W x D x H	Voltages	kW @ 1/2 Voltage
XL300	300	5	34 x 50 x 59	480/240	300
XL400	400	5	34 x 50 x 59	480/240	400

MOSEBACH MANUFACTURING COMPANY

1417 McLaughlin Run Rd. | Pittsburgh, PA 15241 | 412-220-0200
loadbankquotes@mosebachesistors.com

www.mosebachesistors.com

XL300-400

Resistive Load Bank

300kW-400kW



Multi-Unit Controller Software

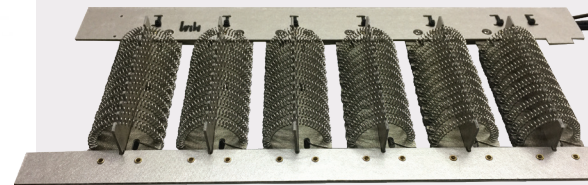
Mosebach's Multi-Unit Remote Controller Software is designed to help manage a single load bank or multiple load banks as one. It is able to be installed and run on any laptop.

The hardware consists of an I/O card that is installed in each load bank. The MURC™ can help manage a group of load banks to get the full load that is needed at the testing site.



Mosebach's Cross Wire Resistors

Mosebach's Cross Wire Resistor have no ceramics and therefore are lighter and more durable than any other resistor on the market today. The resistors are supported by high temperature Mica supports that have been proven in Dynamic Braking Systems for locomotives and mining trucks all over the world. We are so confident in our resistor technology they come with a 2 year warranty, standard!



XL300-400 08/23

MOSEBACH MANUFACTURING COMPANY

1417 McLaughlin Run Rd. | Pittsburgh, PA 15241 | 412-220-0200
loadbankquotes@mosebachresistors.com

www.mosebachresistors.com