

X100L-600

Resistive Load Bank

100kW



Standard Features

1. Digital meter with USB-Type B dataport
2. Recessed control panel to protect controls
3. Voltage and temperature warning lamps
4. 400 amp camlock power connections
5. Lightweight aluminum body
6. 120V auxiliary power receptacle
7. Quiet, high-speed cooling fans

Applications

- Generator Maintenance
- Uninterrupted Power Supplies
- Data Centers
- Renewable Energy
- OEM's

Mosebach's X100L-600 load bank offers you a continuous load at 600/480/240/208 volts in a compact, lightweight, indoor enclosure.

The digital meter allows you to measure power, voltage, current and frequency while also allowing you to record the data as you do your testing.

Power connections are easily done with our camlock connections. Auxiliary power of 120V is used for blower and control power. You should be up and testing within minutes of connecting your power source.

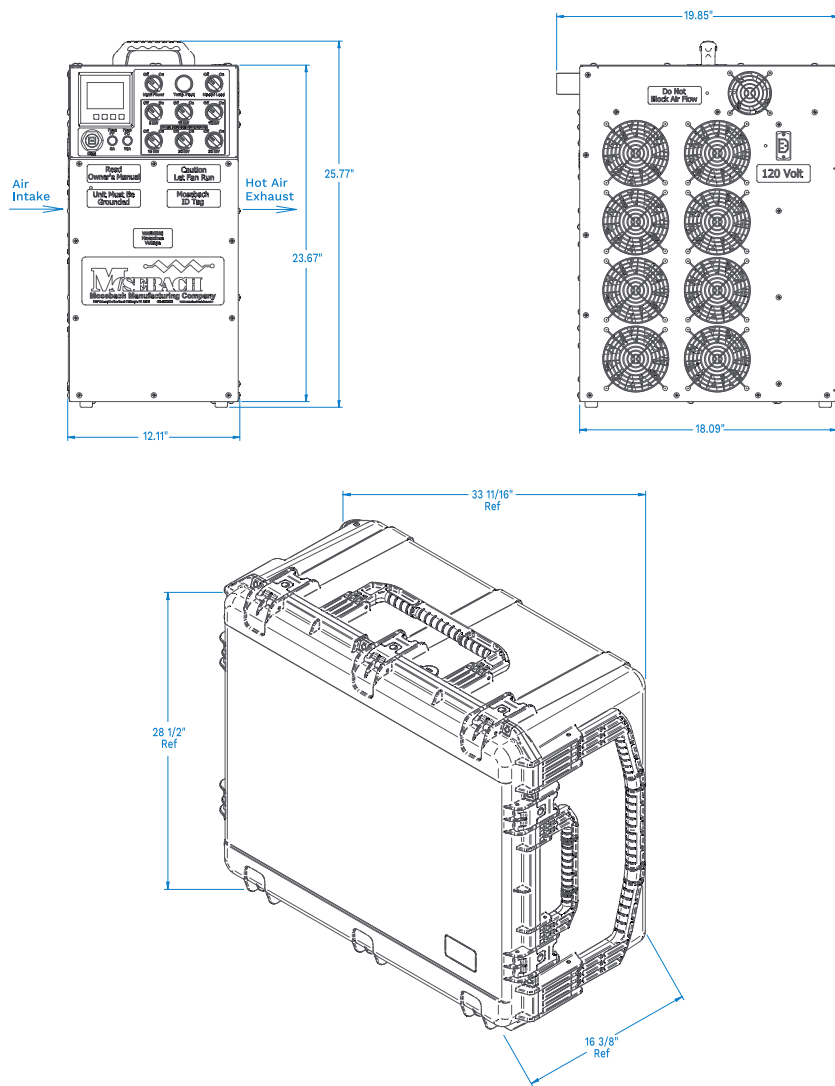
MOSEBACH MANUFACTURING COMPANY

1417 McLaughlin Run Rd. | Pittsburgh, PA 15241 | 412-220-0200
loadbankquotes@mosebachresistors.com

www.mosebachresistors.com

X100L-600

Resistive Load Bank 100kW



Ratings of X100L-600:

kW	VOLTAGE	RESOLUTION
■ 100	600	5
■ 64	480	3.2
■ 64	240	3.2
■ 48	208	2.4
■ 42	240/1	2.1
■ 10.5	120/1	0.52

Standard Configuration

Digital Meter

- To measure current, voltage and frequency
- Data logging to store tests to laptop

Carrying Case

- 17.5" x 27.5" x 32"
- 50 lbs.

Safety

- Over temperature and over voltage sensors

Option Add-Ons (Select Desired)

OPTIONAL KITS

- Remote Control Kit MURC
- Extended 2 Year Warranty
- Extended 3 Year Warranty
- Starter Spare Parts Kit

OPTIONAL ACCESSORIES

- 10 ft. Cable Set
- 25 ft. Cable Set
- 50 ft. Cable Set
- 100 ft. Cable Set
- Nationally Recognized Test Lab (NRTL) Approval

Model No.	Voltage	Total kW	Resolution (kW)	Dimensions L x W x H	Weight (lbs.)
X30LT	480	30	1	20" x 12" x 29"	60
X60C	416	60	3	22" x 14" x 27"	84
X100L	480	100	5	20" x 12" x 29"	64
X100L-600	600	100	5	20" x 12" x 29"	64
X250S	480	250	5	43" x 25" x 44"	250

MOSEBACH MANUFACTURING COMPANY

1417 McLaughlin Run Rd. | Pittsburgh, PA 15241 | 412-220-0200
loadbankquotes@mosebachresistors.com

www.mosebachresistors.com

X100L-600

Resistive Load Bank

100kW



Multi-Unit Controller Software

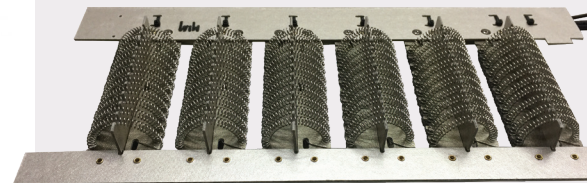
Mosebach's Multi-Unit Remote Controller Software is designed to help manage a single load bank or multiple load banks as one. It is able to be installed and run on any laptop.

The hardware consists of an I/O card that is installed in each load bank. The MURC™ can help manage a group of load banks to get the full load that is needed at the testing site.



Mosebach's Cross Wire Resistors

Mosebach's Cross Wire Resistor have no ceramics and therefore are lighter and more durable than any other resistor on the market today. The resistors are supported by high temperature Mica supports that have been proven in Dynamic Braking Systems for locomotives and mining trucks all over the world. We are so confident in our resistor technology they come with a 2 year warranty, standard!



X100L-600 08/23

MOSEBACH MANUFACTURING COMPANY

1417 McLaughlin Run Rd. | Pittsburgh, PA 15241 | 412-220-0200
loadbankquotes@mosebachresistors.com

www.mosebachresistors.com