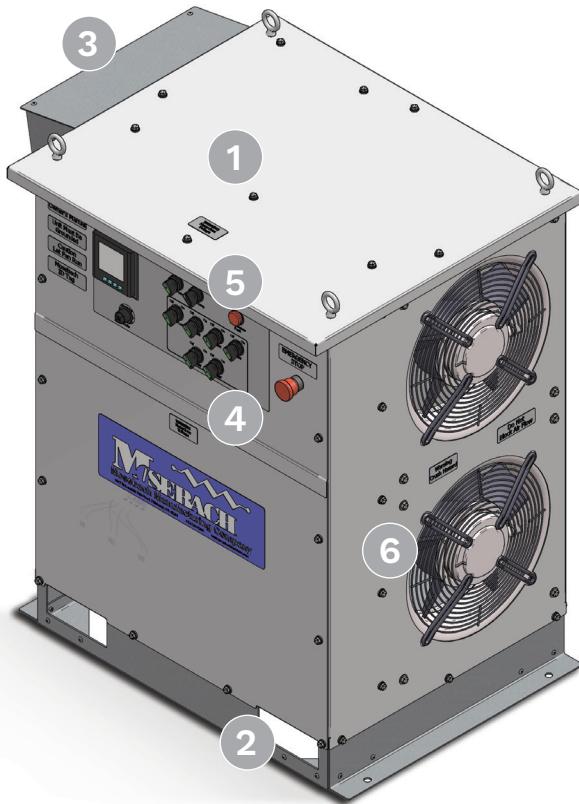


# X100P

## Pad Mounted Outdoor Load Bank



**Smallest Footprint in the Industry**

Mosebach's Pad-Mounted Load Bank, the X100P family, is designed for permanent outdoor installation. It offers you a continuous load of 50, 75, or 100 kW at 480, 240, or 208 volts in a compact enclosure.

Local Controls allow you to adjust the load and perform

all on-site testing of the generator.

Power connections are made through a gland plate at the bottom of the load bank and are lugged to an internal bus bar. Auxiliary power is made through a gland plate at the bottom as well to terminal blocks.

### Standard Features

1. Constructed of aluminized steel with an electrostatically sprayed powder coat
2. Forklift channels
3. Rigid louvers protect both the air inlet and exhaust to prevent rain ingress
4. Recessed control panel to protect controls
5. Voltage and temperature warning lamps
6. Quiet, high-speed cooling fans

### Applications

- Generator Maintenance
- Uninterrupted Power Supplies
- Data Centers
- Renewable Energy
- OEM's

**MOSEBACH MANUFACTURING COMPANY**

1417 McLaughlin Run Rd. | Pittsburgh, PA 15241 | 412-220-0200  
loadbankquotes@mosebachresistors.com

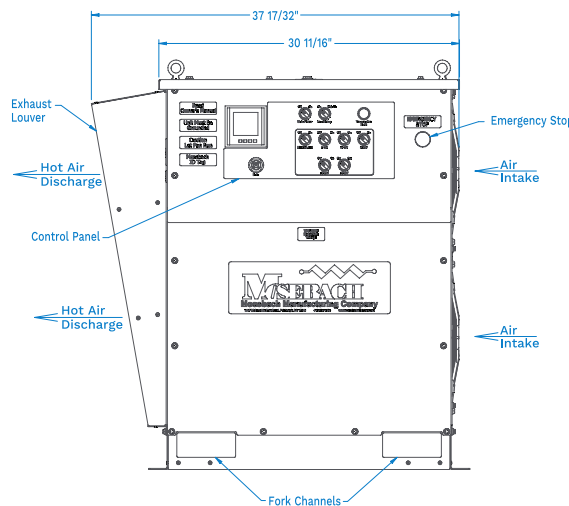
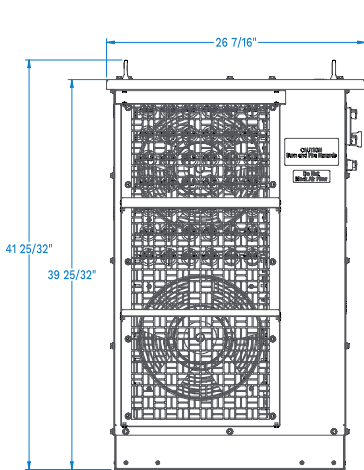
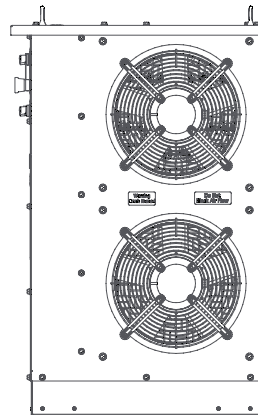
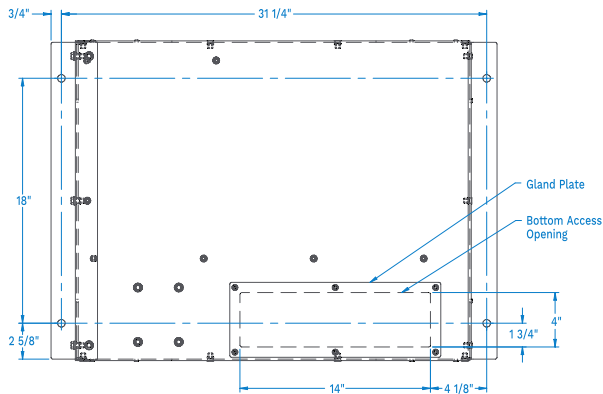
[www.mosebachresistors.com](http://www.mosebachresistors.com)

# X100P

## Pad Mounted Outdoor Load Bank



Mounting and Bottom Access Detail



### Ratings of X100P:

kW	VOLTAGE	RESOLUTION
■ 150	208/240/480	5
■ 125	208/240/480	6.25
■ 100	208/240/480	5
■ 75	208/240/480	5
■ 50	208/240/480	5

### Standard Configuration

#### Connections

- Connections are made through a gland plate on the base of the load bank to internal bus bars.
- Auxiliary Power Connections are made through a gland plate to terminal blocks.

#### Controls

- Main on/off switch allows power to the fans
- Master Load on/off switch to control load steps
- Load Switches allow a varying load in increments of 5 kW
- Air flow acceptance lamp
- Voltage Acceptance lamp

#### Safety

- Over temperature and over voltage sensors
- Ground connection
- Branch fusing
- Air pressure relay
- Protection Circuit for fans

### Option Add-Ons (Select Desired)

#### OPTIONAL ACCESSORIES

- Digital Meter and Current Transformers
- Remote Control using Microsoft Surface with Mosebach designed software
- Control Transformer
- 24" riser to prevent snow drift from blocking airflow.
- Lifting eyes
- CSA Site Certified

X100P 08/23

Model No.	Voltage	Total kW	Resolution (kW)	Dimensions L x W x H	Weight (lbs.)
X50P	208/240/480	50	5	31" x 30" x 40"	300
X75P	208/240/480	75	5	31" x 30" x 40"	300
X100P	208/240/480	100	5	31" x 30" x 40"	300
X125P	208/240/480	125	5	31" x 30" x 40"	300
X150P	208/240/480	150	5	31" x 30" x 40"	300

### MOSEBACH MANUFACTURING COMPANY

1417 McLaughlin Run Rd. | Pittsburgh, PA 15241 | 412-220-0200  
loadbankquotes@mosebachresistors.com

[www.mosebachresistors.com](http://www.mosebachresistors.com)