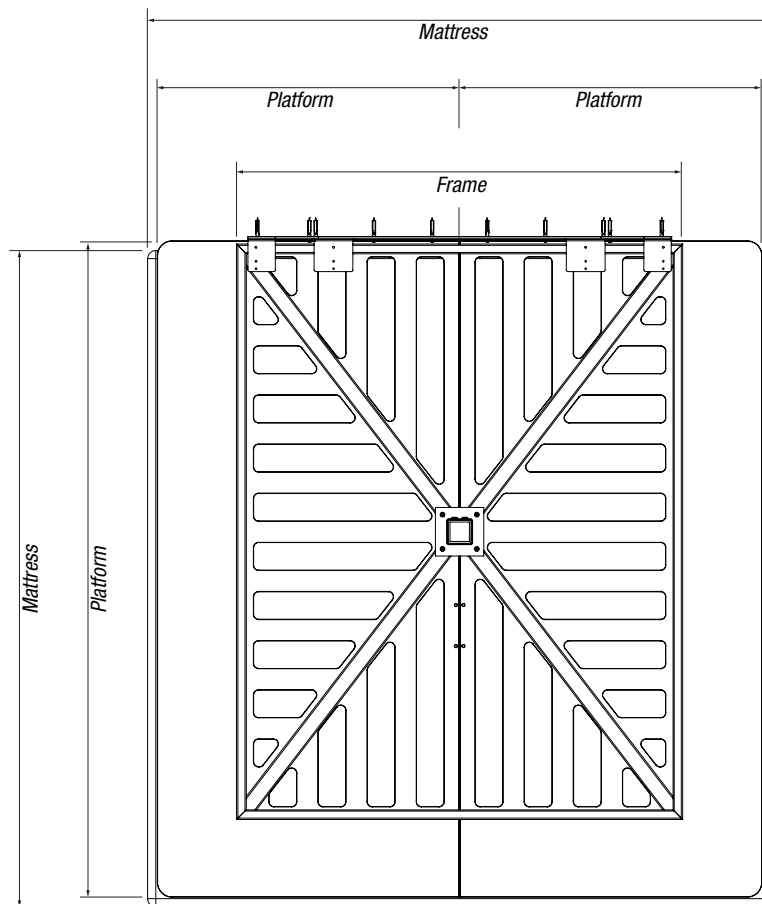
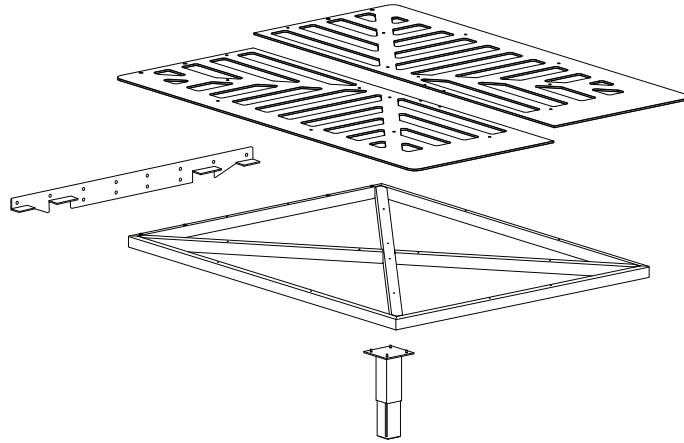


MISURA

FLUTTUA_BED Wall-mounted base

STRUCTURE

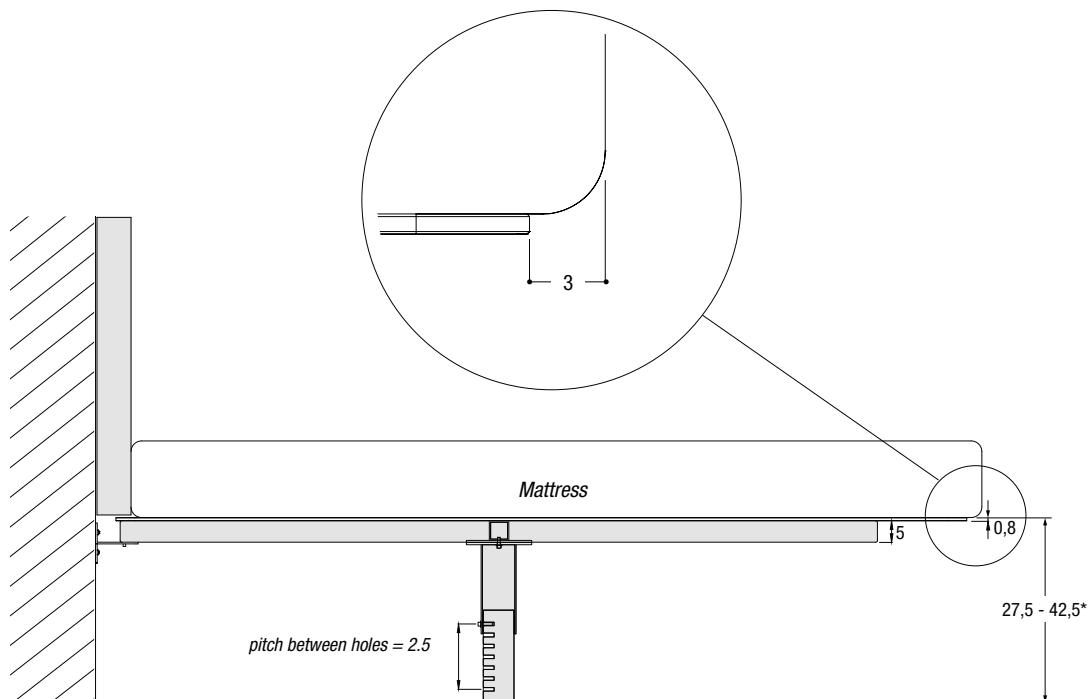
Base - black kraft multi-ply HPL panel thickness 0.8 cm/Frame - painted metal tubing.



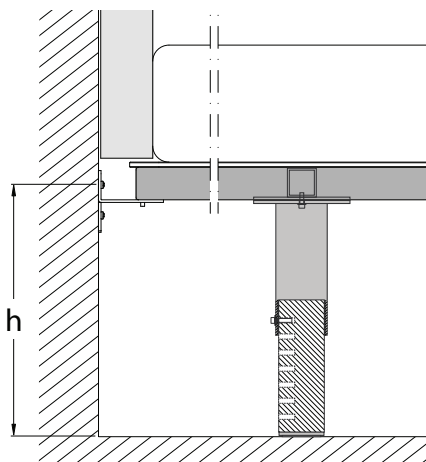
MISURA

FLOOR-STANDING AIR BED HEADBOARDS (FITTINGS AVAILABLE)

Mattress	Platform	Frame
203 x 193	203 x 93,5 (x2)	178 x 138
200 x 180	200 x 86,9 (x2)	178 x 138
200 x 160	200 x 76,9 (x2)	178 x 138
203 x 152	203 x 72,5 (x2)	178 x 138
200 x 150	200 x 72,5 (x2)	178 x 138
200 x 120	196 x 114	168,5 x 77
200 x 100	196 x 94	168,5 x 77



* The height of the platform is determined on the assembling phase

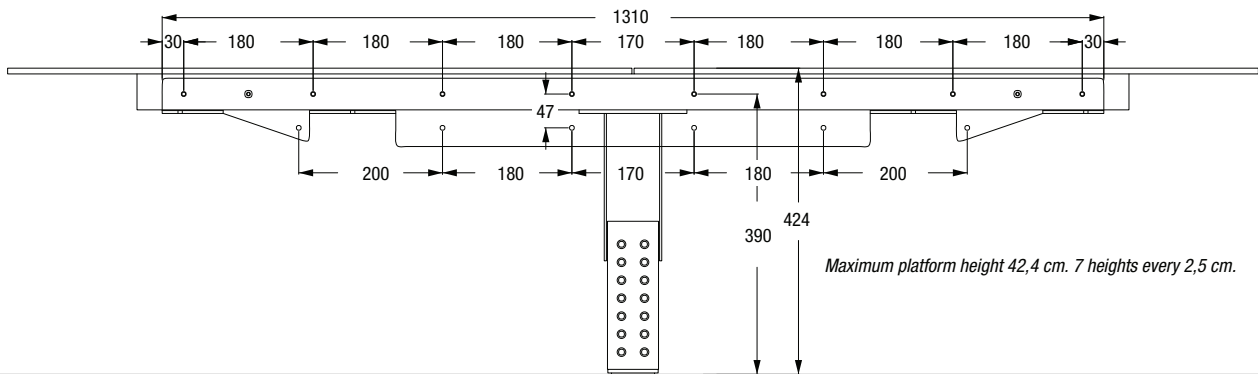


Determining bed height

WITH MATTRESS HEIGHT 21 cm		
Telescopic leg hole	Bed height (cm)	Bed to wall fixing holes (cm)
7°	H = 63,4	h = 39,0
6°	H = 60,9	h = 36,5
5°	H = 58,4	h = 34,0
4°	H = 55,9	h = 31,5
3°	H = 53,4	h = 29,0
2°	H = 50,9	h = 26,5
1°	H = 48,4	h = 24,0

MISURA

FLOOR-STANDING AIR BED HEADBOARDS (FITTINGS AVAILABLE)



Panel for fixing to plasterboard wall

