

LEVANTE

design marco spatti

Type: Suspension
 Light source: **A06/1T** LED module 28W, 2700K, CRI 90, 1.230 lm
A06/1D LED module 25W, 2700K, CRI 90, 1.230 lm
A06/2T - A06/2D LED module 54W, 2700K, CRI 90, 2.460 lm

Product use: Indoor

Materials: Aluminium structure, PET diffusers

Colors: Matt white

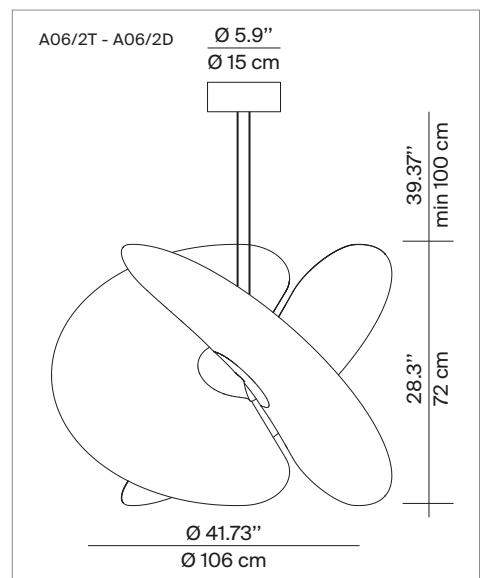
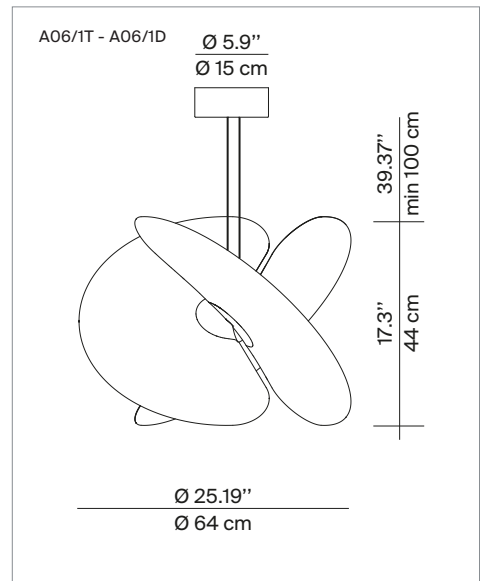
Description: A chandelier of great emotional impact, based on the creative intuition of the designer, together with the research on materials, technology and design conducted by Luceplan. The size is impressive, yet the overall image is ethereal, like an organism floating in space. Levante (the name suggests lightness and wind, but also a clear reference to oriental aesthetics) stems from the intersection of three large fans, made in an unprecedented material for the design sector, borrowed from the world of food, with an appearance similar to rice paper, to spread light in a uniform way over surfaces.

Insulation class and mark: 

Rating: 220-240 V ~ 50/60 Hz
 A06/1D 25W
 A06/1T 28W
 A06/2T - A06/2D 54W

Structure 2700K
 Reference code: **A06/1T** 1A060/01T002 matt white
A06/1D 1A060/01D002 matt white
A06/2T 1A060/02T002 matt white
A06/2D 1A060/02D002 matt white

Diffusers
 Reference code: **A06C1** 1A060C100002 white
A06C2 1A060C200002 white



LEVANTE

design marco spatti

Compatible phase cut Dimmer list

A06/1T - A06/1D

Manufacturer	Model
LUTRON	SKYLARK SF-12P-277
LUTRON	VF-103P-277
JUNG	Licht-Management 225 TDE
JUNG	Licht-Management 225 NV DE
BERKER	Tronic-Drehdimmer 286710
CLIPSAL	32E450UDM
CLIPSAL	NO 32E450TM
CLIPSAL	NO 32E450LM
CLIPSAL	Cat 400

A06/2T - A06/2D

Manufacturer	Model
ABB	6519 U
ABB	6526 U
JUNG	1224 LED UDE
Berker	2861
JUNG	254 UDIE 1
JUNG	225 TDE
EGANT	U321V2
Schneider	SBD200LED
Schneider	SBD315RC
Berker	2874
Eetako	EUD61NP-230V
Eetako	DTD55L-230Vwg
GIRA	Universal-LED-Dimmer Mini2440 00
EHMANN	LED-Dimmer T46.08
JUNG	Drehdimmer Unversal LED1731DD