

PROJECT NAME: _____

DATE: _____

JOB LOCATION: _____

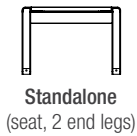
COMPANY: _____

SPECIFIER: _____

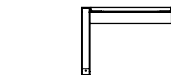
PLEASE USE ADOBE READER OR ADOBE ACROBAT TO FILL OUT AND SAVE FORM. USING OTHER PROGRAMS COULD RESULT IN UNSAVED DATA.

MODEL

The drawings below will serve as a guide for planning your order. Please select all applicable options. We will contact you to confirm all information, including configuration layouts and module quantities.



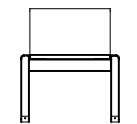
Quantity:
 _____ 2-foot
 _____ 4-foot
 _____ 6-foot
 _____ 8-foot



Intermediate add-on section
 (seat, 1 intermediate leg)
 Note: Attaches to seat or leg

Quantity:
 _____ 2-foot; attaches to leg
 _____ 4-foot; attaches to leg
 _____ 6-foot; attaches to leg
 _____ 8-foot; attaches to leg

Quantity:
 _____ 2-foot; attaches to seat
 _____ 4-foot; attaches to seat
 _____ 6-foot; attaches to seat



Standalone with seat back(s)
 (seat, 2 end legs, seat back(s))

Quantity:
 _____ 2-foot, one seat back
 _____ 4-foot, two seat backs
 _____ 6-foot, three seat backs
 _____ 8-foot, four seat backs



End add-on section
 (seat, 1 end leg)
 Note: Attaches to seat or leg

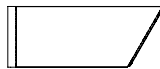
Quantity:
 _____ 2-foot; attaches to leg
 _____ 4-foot; attaches to leg
 _____ 6-foot; attaches to leg
 _____ 8-foot; attaches to leg

Quantity:
 _____ 2-foot; attaches to seat
 _____ 4-foot; attaches to seat
 _____ 6-foot; attaches to seat



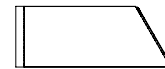
For use with add-on sections
 (seat, 1 end leg and 1 intermediate leg)

Quantity:
 _____ 2-foot
 _____ 4-foot
 _____ 6-foot
 _____ 8-foot



120° A end add-on section
 (seat, 1 end leg)
 Note: attaches to seat only

Quantity: _____



120° B end add-on section
 (seat, 1 end leg)

Quantity: _____



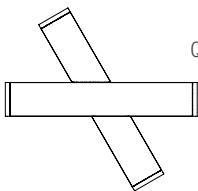
120° A intermediate add-on section
 (seat, 1 intermediate leg)
 Note: attaches to seat only

Quantity: _____



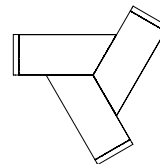
120° B intermediate add-on section
 (seat, 1 intermediate leg)
 Note: attaches to seat only

Quantity: _____



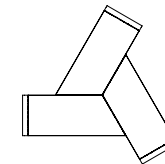
Oblique Configuration A
 (seat, 4 end legs)

Quantity: _____



Tri-Hub Configuration, 120° A
 (seat, 3 end legs)

Quantity: _____



Tri-Hub Configuration, 120° B
 (seat, 3 end legs)

Quantity: _____



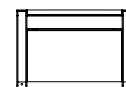
Standalone planter
 (planter, 2 end legs)

Quantity: _____



For use with add-on sections
 (planter, 1 end leg and 1 intermediate leg)

Quantity: _____

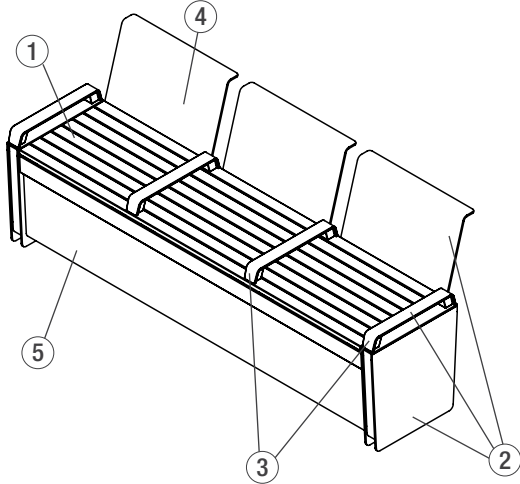


For use with add-on sections
 (planter, 2 intermediate legs)

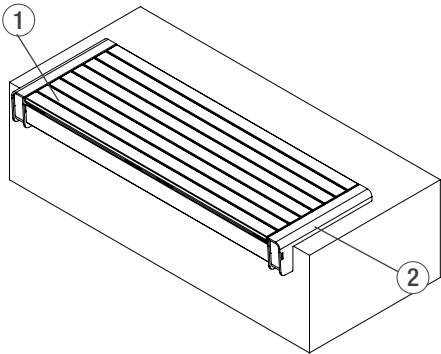
Quantity: _____

OPTIONS

VECTOR BENCH, 6-FOOT, BACKED, 4 SEAT DIVIDERS



VECTOR WALL-TOP MOUNT BENCH, 4-FOOT, BACKLESS



Seat Material Options

Please select **one** material and applicable options.

FSC® 100% Cumaru Slats

Aluminum Slats

Please select **one** powdercoat color option below.

Powdercoat Color Options

Please select **one** option below and write in specified color.

① Aluminum Slats (if selected)

Standard Texture from F+S Powdercoat Color Chart

Custom RAL Powdercoat Color (subject to upcharge)

② Frame

Standard Texture from F+S Powdercoat Color Chart

Custom RAL Powdercoat Color (subject to upcharge)

③ Seat Divider Options

Please select **all** seat divider options that apply below. If selected, seat dividers will be powdercoated to match the frame.

No seat divider

One intermediate seat divider per 2-foot bench section

Quantity _____ (Subject to upcharge)

End seat divider(s)

Quantity _____ (Subject to upcharge)

Placement Notes: _____

④ Seat Back Options

Please select **one** seat back option below. Please note that seat backs cannot be placed at all connection points. If selected, seat backs will be powdercoated to match the frame.

No seat back

One seat back per 2-foot bench section

Quantity _____ (Subject to upcharge)

Placement Notes: _____

⑤ Side Panel Options

Please select side panel options below. If side panels are specified, select **one** pattern and **one** finish. Note: two side panels are required for each planter module.

No Side Panels

Stainless Steel Side Panel

2-foot bench Quantity _____	120° A bench Quantity _____
4-foot bench Quantity _____	120° B bench Quantity _____
6-foot bench Quantity _____	Planter Quantity _____
8-foot bench Quantity _____	

Side Panel Perforation Options

No Perforation
Rainfall Perforation

Stainless Steel Finish Options

Sandstone
Diamond
Satin

Powdercoat Color Options

Standard Texture from F+S Powdercoat Color Chart

Custom RAL Powdercoat Color *(subject to upcharge)*

LED Accent Light Options

Please select **one** accent light option below. If LED accent light is selected, please select color temperature.

No LED accent light	LED color temperature <i>(please select one option)</i>	
LED accent light	3000K	4000K
2-foot bench Quantity _____	8-foot bench Quantity _____	
4-foot bench Quantity _____	120° A bench Quantity _____	Notes: _____
6-foot bench Quantity _____	120° B bench Quantity _____	_____

Mounting Options

- Freestanding
- Surface mount* **
 - Add F+S stainless steel mounting hardware kit
 - Do not include F+S mounting kit
- Wall-top *(Not all options are available for wall-top mounting. Contact us to discuss your project's specific requirements)*

* **Required** for configurations with seat backs or accent lighting
** Hardware is required for surface mount benches. Mounting kits can be purchased from F+S for an additional charge.

NOTES

Please send completed forms to sales@forms-surfaces.com or contact us at 800.451.0410 with any questions.

FSC License Code: FSC-C004453