

PROJECT NAME: _____

DATE: _____

JOB LOCATION: _____

COMPANY: _____

SPECIFIER: _____

PLEASE USE ADOBE READER OR ADOBE ACROBAT TO FILL OUT AND SAVE FORM. USING OTHER PROGRAMS COULD RESULT IN UNSAVED DATA.

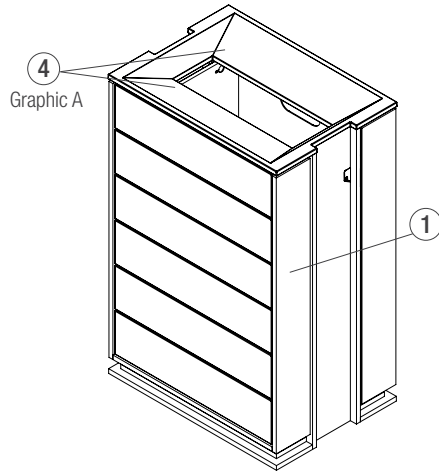
MODEL

QUANTITY	MODEL	
_____	SLAPX-24C	Apex Receptacle, 24-gallon, single-stream, FSC® 100% Cumaru hardwood
_____	SLAPX-24S	Apex Receptacle, 24-gallon, single-stream, stainless steel
_____	SLAPX-136C	Apex Receptacle, 36-gallon, single-stream, FSC® 100% Cumaru hardwood
_____	SLAPX-136S	Apex Receptacle, 36-gallon, single-stream, stainless steel
_____	SLAPX-36C	Apex Receptacle, 36-gallon, split-stream, FSC® 100% Cumaru hardwood
_____	SLAPX-36S	Apex Receptacle, 36-gallon, split-stream, stainless steel

FSC License Code: FSC-C004453

OPTIONS

APEX RECEPTACLE, 24-GALLON, SINGLE-STREAM; CUMARU, FREESTANDING SHOWN



1 Powdercoat Color Options

Please select one option below and write in specified color.

Standard Texture from F+S Powdercoat Chart

Custom RAL Powdercoat Color (subject to upcharge)

2 Stainless Steel Finish Options (SLAPX-24S, 136S, & 36S)

Please select one option below.

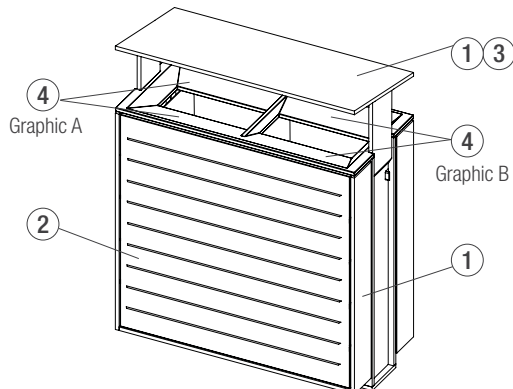
Sandstone

Diamond

Seastone

Satin

APEX RECEPTACLE, 36-GALLON, SPLIT-STREAM WITH RAIN COVER; STAINLESS STEEL, SURFACE MOUNT SHOWN



3 Rain Cover (Subject to upcharge)

Specified

Not Specified

Latch Options

Standard lift latch

Tool-operated security latch

GRAPHIC EXAMPLES

Single-Stream Graphics: Examples



Split-Stream Graphics: Examples



④ Graphics Message & Background Color Options

Please select a message and color for Graphic A for single-stream models, or both Graphic A and B for split-stream models. **NOTE:** All letters and symbols are white; specified color is for the graphic's background.

Graphic A message	Graphic A background color
no graphic	black
litter*	blue
landfill*	green
recycling	
bottles & cans	
paper	
compost	

*Note: Litter and Landfill graphics are only available with black background color.

Graphic B message	Graphic B background color
no graphic	black
litter*	blue
landfill*	green
recycling	
bottles & cans	
paper	
compost	

*Note: Litter and Landfill graphics are only available with black background color.

Mounting Options

- Freestanding with levelers
- Surface Mount*
 - Add F+S stainless steel mounting hardware kit*
 - Do not include F+S mounting hardware kit

*Hardware is required for surface mount litter receptacles. Mounting kits can be purchased from F+S for an additional charge.

NOTES

Please send completed forms to sales@forms-surfaces.com or contact us at 800.451.0410 with any questions.