

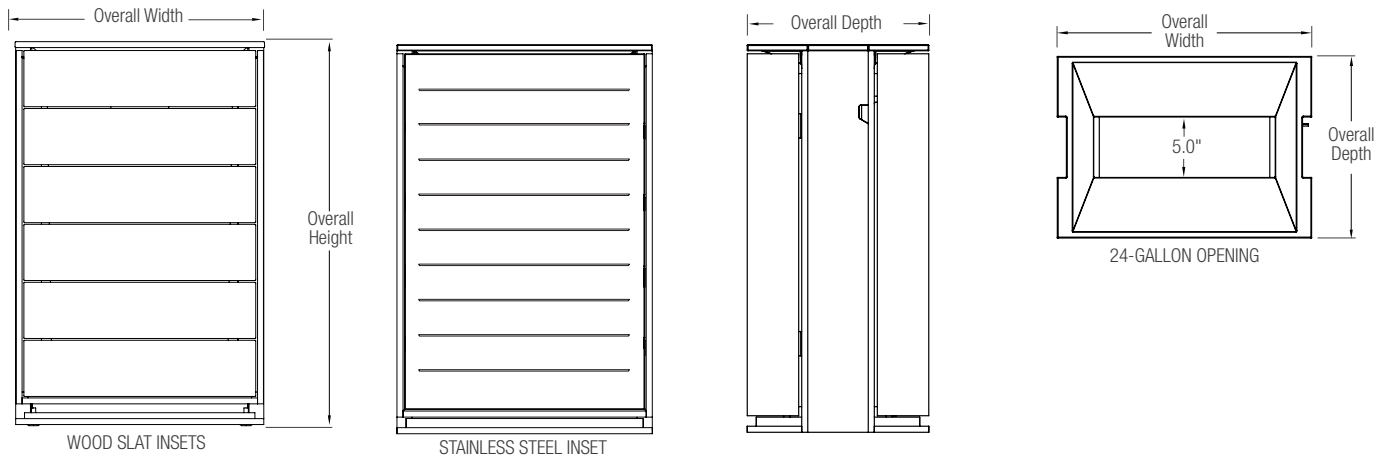
The Apex Litter & Recycling Receptacle combines the durability of corrosion-resistant aluminum with a choice of inset materials: FSC® 100% Cumaru hardwood brings the look of wood slats into a modern context, while crisp stainless steel in one of four finishes enhances the product's clean lines. Apex Receptacles are beautiful on their own. Or they can be used with Apex Benches and Table Ensembles to create a visually cohesive setting.

MATERIAL & CONSTRUCTION DETAILS

INSTALLATION & MAINTENANCE

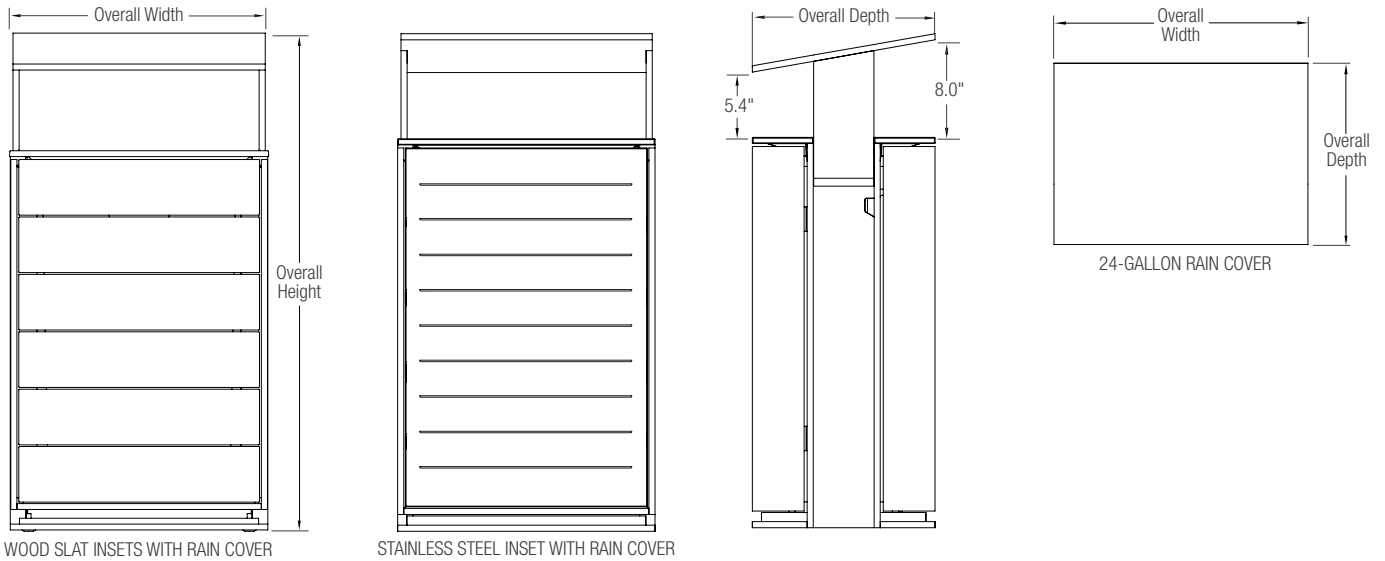
<p>CONFIGURATION OPTIONS & LINERS</p> <ul style="list-style-type: none"> • Receptacles are available in 24-gallon single-stream, and 36-gallon single-stream and split-stream configurations. • Single-stream receptacles use either a single 24-gallon or 36-gallon liner. • Split-stream receptacles have two 18-gallon half liners to accommodate two separate litter and/or recycling streams. Overall capacity is 36 gallons. • Liners are molded from durable black low density polyethylene (LLDPE) with a UL94HB fire rating. 	<p>LID AND BODY</p> <ul style="list-style-type: none"> • Lid and body are made of corrosion-resistant aluminum with a powdercoat finish. • See the Forms+Surfaces Powdercoat Chart for details. Custom RAL colors are available for an upcharge. 	<p>SIDE-ACCESS DOOR</p> <ul style="list-style-type: none"> • Receptacles open in a clamshell fashion with half of the body serving as a swing-out door. • Two stainless steel side-access latch options are available: a standard lift latch and a tool-operated security latch. 	<p>INSTALLATION</p> <ul style="list-style-type: none"> • Receptacles can be used freestanding or surface mounted. • Levelers are supplied for all units. • For surface mounting, stainless steel anchors and mounting bolts sold separately.
<p>INSET MATERIAL OPTIONS</p> <ul style="list-style-type: none"> • FSC® 100% Cumaru hardwood slat insets offer superior resistance to moisture, insects, fire, vandalism, and decay. (FSC License Code: FSC-C004453) • Stainless steel inset is available with Sandstone, Seastone, Diamond, and Satin finishes. • Stainless steel inset has nine evenly-spaced linear impressions. 	<p>GRAPHICS</p> <ul style="list-style-type: none"> • Single-stream and split-stream lids include instructional graphics with black, blue, or green backgrounds, and white messages and symbols, clearly indicating the use for each opening. • Graphics are printed on the back of clear, lightly textured polycarbonate, protecting them from wear over time. 	<p>OPTIONAL RAIN COVER</p> <ul style="list-style-type: none"> • Made from heavy corrosion-resistant aluminum. • Rain covers are powdercoated to match the lid. 	<p>MAINTENANCE</p> <ul style="list-style-type: none"> • Metal surfaces can be cleaned as needed using a soft cloth or brush with warm water and a mild detergent. Avoid abrasive cleaner. • Cumaru hardwood can be maintained by re-oiling as needed with Penofin® hardwood finish or similar products.

NOMINAL DIMENSIONS

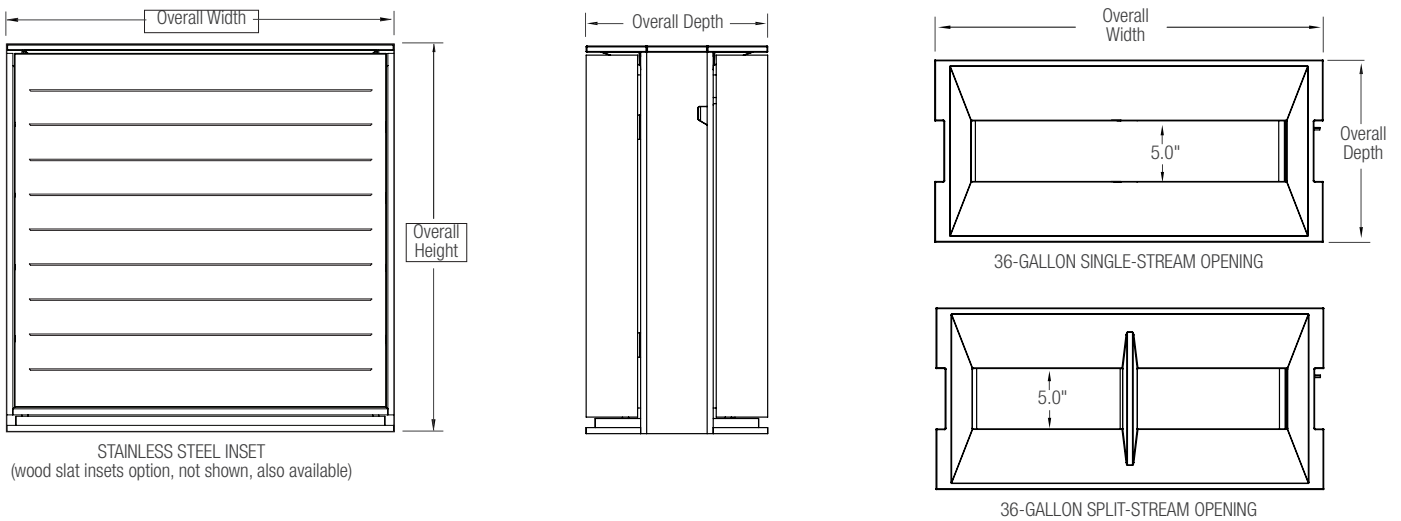


MODEL	OVERALL HEIGHT (FREESTANDING)	OVERALL HEIGHT (SURFACE MOUNT)	OVERALL WIDTH	OVERALL DEPTH	OVERALL WEIGHT	CAPACITY
SLAPX-24C	32.0" (813 mm)	32.5" (826 mm)	21.0" (533 mm)	15.0" (381 mm)	92 lbs (42 kg)	24 gallons (83 liters)
SLAPX-24S	32.0" (813 mm)	32.5" (826 mm)	21.0" (533 mm)	15.0" (381 mm)	95 lbs (43 kg)	24 gallons (83 liters)

NOMINAL DIMENSIONS (Continued)

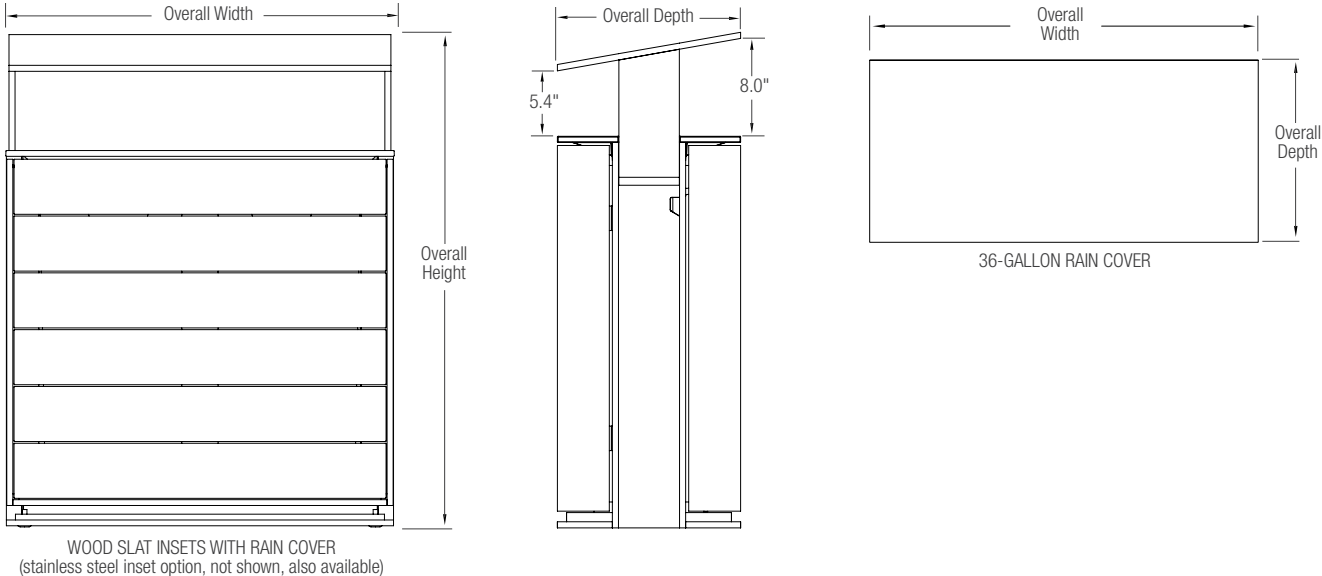


MODEL	OVERALL HEIGHT (FREESTANDING)	OVERALL HEIGHT (SURFACE MOUNT)	OVERALL WIDTH	OVERALL DEPTH	OVERALL WEIGHT	CAPACITY
SLAPX-24C	40.5" (1029 mm)	41.0" (1041 mm)	21.0" (533 mm)	15.0" (381 mm)	114 lbs (52 kg)	24 gallons (83 liters)
SLAPX-24S	40.5" (1029 mm)	41.0" (1041 mm)	21.0" (533 mm)	15.0" (381 mm)	117 lbs (53 kg)	24 gallons (83 liters)



MODEL	OVERALL HEIGHT (FREESTANDING)	OVERALL HEIGHT (SURFACE MOUNT)	OVERALL WIDTH	OVERALL DEPTH	OVERALL WEIGHT	CAPACITY
SLAPX-136C	32.0" (813 mm)	32.5" (826 mm)	32.0" (813 mm)	15.0" (381 mm)	112 lbs (51 kg)	36 gallons (136 liters)
SLAPX-136S	32.0" (813 mm)	32.5" (826 mm)	32.0" (813 mm)	15.0" (381 mm)	120 lbs (54 kg)	36 gallons (136 liters)
SLAPX-36C	32.0" (813 mm)	32.5" (826 mm)	32.0" (813 mm)	15.0" (381 mm)	112 lbs (51 kg)	36 (18 x 2) gallons (136 liters)
SLAPX-36S	32.0" (813 mm)	32.5" (826 mm)	32.0" (813 mm)	15.0" (381 mm)	120 lbs (54 kg)	36 (18 x 2) gallons (136 liters)

NOMINAL DIMENSIONS (Continued)



MODEL	OVERALL HEIGHT (FREESTANDING)	OVERALL HEIGHT (SURFACE MOUNT)	OVERALL WIDTH	OVERALL DEPTH	OVERALL WEIGHT	CAPACITY
SLAPX-136C	40.5" (1029 mm)	41.0" (1041 mm)	32.0" (813 mm)	15.0" (381 mm)	143 lbs (65 kg)	36 gallons (136 liters)
SLAPX-136S	40.5" (1029 mm)	41.0" (1041 mm)	32.0" (813 mm)	15.0" (381 mm)	151 lbs (68 kg)	36 gallons (136 liters)
SLAPX-36C	40.5" (1029 mm)	41.0" (1041 mm)	32.0" (813 mm)	15.0" (381 mm)	143 lbs (65 kg)	36 (18 x 2) gallons (136 liters)
SLAPX-36S	40.5" (1029 mm)	41.0" (1041 mm)	32.0" (813 mm)	15.0" (381 mm)	151 lbs (68 kg)	36 (18 x 2) gallons (136 liters)

STANDARD GRAPHICS

All graphics are available with black backgrounds. Recycling, bottles & cans, paper, and compost graphics are available with blue or green backgrounds to clearly indicate recycling streams. All letters and symbols are white.



ENVIRONMENTAL CONSIDERATIONS

- Please refer to the Apex Litter & Recycling Receptacle Environmental Data Sheet for detailed environmental impact information.
- All Apex Receptacle metal components are fully recyclable.
- All Apex Receptacle wood is FSC® 100%.
- Rustproof aluminum construction ensures a long product life cycle.
- Standard powdercoat finishes are no-VOC; non-standard powdercoat finishes are no- or low-VOC, depending on color.

MODEL NUMBERS AND DESCRIPTIONS

MODEL	DESCRIPTION
SLAPX-24C	Apex Receptacle, 24-gallon, single-stream, FSC 100% Cumaru hardwood
SLAPX-24S	Apex Receptacle, 24-gallon, single-stream, stainless steel
SLAPX-136C	Apex Receptacle, 36-gallon, single-stream, FSC 100% Cumaru hardwood
SLAPX-136S	Apex Receptacle, 36-gallon, single-stream, stainless steel
SLAPX-36C	Apex Receptacle, 36-gallon, split-stream, FSC 100% Cumaru hardwood
SLAPX-36S	Apex Receptacle, 36-gallon, split-stream, stainless steel

PRODUCT OPTIONS

The following options are available for an upcharge

Aluminum rain cover, 24-gallon model	Add stainless steel mounting hardware
Aluminum rain cover, 36-gallon model	Custom RAL powdercoat color

LEAD TIME: 6 to 8 weeks. Shorter lead times may be available upon request. Please contact us to discuss your specific timing requirements.

PRICING: Please contact us at **800.451.0410** or **sales@forms-surfaces.com**. At Forms+Surfaces, we design, manufacture and sell our products directly to you. Our sales team is available to assist you with questions about our products, requests for quotes, and orders. Territory Managers are located worldwide to assist with the front-end specification and quoting process, and our in-house Project Sales Coordinators follow your project through from the time you place an order to shipment.

TO ORDER SPECIFY: Quantity, model, stainless steel finish, powdercoat color, with or without rain cover, lid graphics, liner, with or without bag straps and drain holes, freestanding or surface mount. Design Guides are available on our website to lead you through the specification process in a simple checkbox format.