

Elevator Handrails & Crash Rails are available in a wide range of materials and finishes. Options vary per design and include stainless steel, Bronze, and Black Sanoprene as outlined on pages 2-3. Elevator handrails and crash rails may be specified for elevator interior back walls and/or side walls and are for exclusive use with F+S Elevator Interiors. If you have questions about any of the options shown here or to discuss your project's specific needs, contact us.

OPTIONS PER ELEVATOR INTERIOR

Handrail options vary per Elevator Interior as shown below. Applicable handrails may also depend on mounting type and standoff specified.

HANDRAIL STYLE	ELEVATOR INTERIORS			
	LEVELr	LEVELe	LEVELc-2000	LEVELc-1000
COMPASS	•	•	•	•
QUADRANT	•	•	•	•
SEXTANT	•	•	•	•
MODULAR	•	•	•	•
ROUND	•	•	•	•
RECTANGULAR	•	•	•	•
FIN MOUNTED	•			
CRASH RAIL	•	•	•	•

MOUNTING TYPE

All handrails and crash rails come with the appropriate mounting hardware. The rail length and standoff quantity are determined by elevator interior dimensions. Handrails and/or crash rails cannot be mounted through LightPlane Panels.

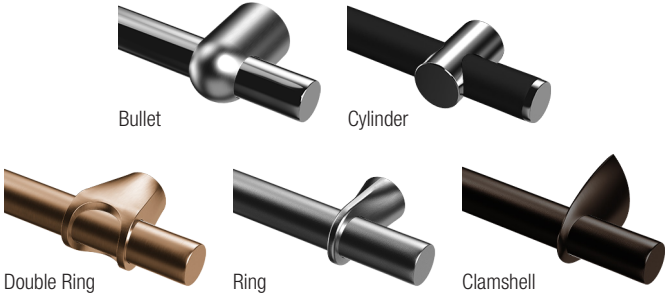
		
DEDICATED HANDRAIL PANEL	BAYONET MOUNT (NON-GLASS PANEL)	MOUNTING ON GLASS PANEL
<p>For LEVELr Elevator Interiors with handrail panels, handrails and panels are assembled and installed on site.</p> <p>LEVELe Elevator Interiors with handrail panels will come with handrails pre-mounted on handrail panels; no drilling or additional prep work is required for installation.</p> <p>LEVELc Elevator Interiors do not have handrail panels. Handrails and crash rails are installed directly to the wall panels on site.</p>	<p>For LEVELe and LEVELr Elevator Interiors, when handrails span multiple non-glass panels, being able to fine-tune the final positioning is ideal. Compass handrails with Cylinder or Bullet standoffs or Quadrant handrails with any standoff are recommended.</p> <p>For crash rails that span multiple panels, standoff quantity and location are positioned for optimal impact resistance.</p>	<p>When using handrails and crash rails with VividGlass or CastGlass, an escutcheon may be required at each standoff; exceptions include Compass handrails with Cylinder or Bullet standoffs and Quadrant handrails with any standoff.</p> <p>Crash rail standoff quantity and location are positioned for optimal impact resistance.</p>

DELIVERY & INSTALLATION


MAINTENANCE	DELIVERY	INSTALLATION
<p>Periodic cleaning is recommended to properly care for handrails and crash rails. Please follow the proper care guidelines for the material specified. Additional details can be found in the Hardware Care & Maintenance document on the website.</p>	<p>In most cases, elevator interior wall panels, bases, reveals, handrails, and crash rails for each individual elevator interior arrive in a single crate, making it easy to organize materials on site. The crate arrives with components neatly organized and includes all the necessary fasteners, adhesives and installation instructions.</p>	<p>Handrails and crash rails in LEVELr and LEVELc Elevator Interiors will need to be field installed.</p> <p>Handrails and crash rails in LEVELe Elevator Interiors will be installed based on their mounting type.</p> <p>For all standard models in which handrails and crash rails span multiple panels, elevators will come with mounting hardware; holes are pre-drilled and ready for installation.</p>

HANDRAILS


Handrails are optional and can be specified for elevator interior back walls and/or side walls. Handrail rail length and standoff quantity are determined by elevator interior dimensions. When using with VividGlass or CastGlass, an escutcheon may be required at each standoff.


COMPASS™ HANDRAILS		MATERIAL & FINISH OPTIONS
 <p>Bullet</p> <p>Cylinder</p> <p>Double Ring</p> <p>Ring</p> <p>Clamshell</p>	<p>1.25" diameter tubular rail with choice of Bullet, Cylinder, Ring, Double Ring or Clamshell standoffs.</p> <p>Materials and finishes can be mixed or matched on rails and standoffs to create either uniform or contrasting effects.</p>	<ul style="list-style-type: none"> • Satin Stainless Steel • Polished Stainless Steel • Stippled Stainless Steel • Satin Bronze • Polished Bronze • Stippled Bronze • Satin Oil-Rubbed Bronze • Stippled Oil-Rubbed Bronze • Black Santoprene (Rail only)

Note: Compass Handrails are not compatible with LEVELr Elevator handrail panels.

QUADRANT™ HANDRAILS		MATERIAL & FINISH OPTIONS
 <p>Block</p> <p>Clamp</p> <p>Vise</p>	<p>1" x 1.5" rectangular cross-section rail oriented with the wide edge facing out, with Block, Clamp or Vise standoffs.</p> <p>Materials and finishes can be mixed or matched on rails and standoffs to create either uniform or contrasting effects.</p>	<ul style="list-style-type: none"> • Satin Stainless Steel • Polished Stainless Steel • Stippled Stainless Steel • Satin Bronze • Polished Bronze • Stippled Bronze • Satin Oil-Rubbed Bronze • Stippled Oil-Rubbed Bronze

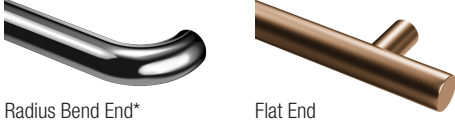
Note: Quadrant Handrails are not compatible with LEVELr Elevator handrail panels.

SEXTANT™ HANDRAILS		MATERIAL & FINISH OPTIONS
 <p>Bullet</p> <p>Column</p> <p>Cylinder</p> <p>Taper</p> <p>Tee</p>	<p>1.25" or 1.5" diameter tubular rail with choice of Bullet, Cylinder, Column or Taper finials. Tee standoffs join segments of Sextant rail.</p> <p>Materials and finishes can be mixed or matched on rails, finials and tee standoffs to create either uniform or contrasting effects.</p>	<ul style="list-style-type: none"> • Satin Stainless Steel • Polished Stainless Steel • Stippled Stainless Steel • Satin Bronze • Polished Bronze • Stippled Bronze • Satin Oil-Rubbed Bronze (Finials and Tee only) • Black Santoprene (Rail only)

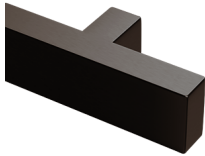
MODULAR HANDRAILS		MATERIAL & FINISH OPTIONS
	<p>1.25" diameter tubular rail with L-shaped standoffs.</p> <p>Rail material & finish options are listed at right; standoffs are always Clear Anodized Aluminum with Satin finish.</p>	<ul style="list-style-type: none"> • Satin Stainless Steel • Polished Stainless Steel • Stippled Stainless Steel

Note: Modular Handrails are not compatible with LEVELr Elevator handrail panels.

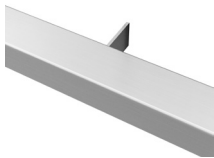
HANDRAILS (CONTINUED)

ROUND HANDRAILS		MATERIAL & FINISH OPTIONS
 <p>Radius Bend End*</p> <p>Flat End</p>	<p>1.25" or 1.5" diameter round rail with choice of radius bend ends or flat ends with integral standoffs.</p> <p>Rails and standoffs are always the same material and finish.</p>	<ul style="list-style-type: none"> • Satin Stainless Steel • Polished Stainless Steel • Stippled Stainless Steel • Satin Bronze • Polished Bronze • Stippled Bronze • Satin Oil-Rubbed Bronze

*For elevator door openings that are flush with the adjacent side wall(s), a Round handrail with radius bend ends is recommended.


RECTANGULAR HANDRAILS		MATERIAL & FINISH OPTIONS
	<p>1" x 2" rectangular cross-section rail with integral standoffs.</p> <p>Rails and standoffs are always the same material and finish.</p>	<ul style="list-style-type: none"> • Satin Stainless Steel • Polished Stainless Steel • Stippled Stainless Steel • Satin Bronze • Polished Bronze • Stippled Bronze • Satin Oil-Rubbed Bronze

Note: Rectangular Handrails are not compatible with LEVELr Elevator handrail panels.

FIN MOUNTED HANDRAIL (EXCLUSIVE TO LEVELr ELEVATOR INTERIORS)		MATERIAL & FINISH OPTIONS
	<p>1.25" rectangular cross-section rail oriented with the narrow edge facing out, with fin mounted standoff.</p> <p>Rails and standoffs are always the same material and finish.</p>	<ul style="list-style-type: none"> • Satin Stainless Steel • Satin Antique Bronze

CRASH RAILS

Optional crash rails can be specified for elevator interior back walls and/or side walls. When using with VividGlass or CastGlass, an escutcheon may be required at each standoff.

CRASH RAIL		MATERIAL & FINISH OPTIONS
	<p>4" x 1/4" flat cross-section rail with radius bend ends and integral standoffs.</p> <p>Rails and standoffs are always the same material and finish.</p>	<ul style="list-style-type: none"> • Satin Stainless Steel

CODE COMPLIANCES

Elevator wall panels, bases, handrails, crash rails, and ceilings comply with the following codes and guidelines:

ASME A17.1-2010: Safety Code for Car Enclosures, Car Doors and Gates, and Car Illumination - Section 2.14
<ul style="list-style-type: none"> • 2.14.1.2 - Securing of Enclosures • 2.14.1.5 - Top Emergency Exits • 2.14.1.8 - Glass in Elevator Cars • 2.14.2.1 - Material for Car Enclosures, Enclosure Linings, and Floor Coverings • 2.14.2.3 - Ventilation • 2.14.2.4 - Headroom in Elevator Cars • 2.14.7.4 - Protection of Light Bulbs and Tubes
2001 California Building Code, Chapter 30
<ul style="list-style-type: none"> • 3003.4.7 - Car Inside* • 3003.4.12 - Handrails
Americans with Disabilities Act Accessibility Guidelines (ADAAG)
<ul style="list-style-type: none"> • 4.10.9 - Floor Plan of Elevator Cars*

*Complies when installed in most common sizes of passenger cabs and service cabs. Purchasing party is responsible for ensuring that finished installation maintains minimum floor dimensions required by ADA guidelines and applicable local codes.

RELATED PRODUCTS

LEVELr ELEVATOR INTERIORS	LEVELe ELEVATOR INTERIORS	LEVELc ELEVATOR INTERIORS
LEVELr Elevator Interiors unite sophisticated design possibilities, a frameless panel aesthetic, and extensive material, trim, and LED options. Please refer to the LEVELr Elevator Interiors Product Data Sheet for additional information.	LEVELe Elevator Interiors represent a versatile panelized system based on lightweight aluminum framed panels and extensive material options. Please refer to the LEVELe Elevator Interiors Product Data Sheet for additional information.	LEVELc Elevator Interiors expand the design and performance options with many of the same materials and finishes offered for LEVELr and LEVELe Elevator Interiors. Please refer to our LEVELc Elevator Interiors Product Data Sheets for additional information.

HOW TO SPECIFY

Visit www.elevatordesignstudio.com to configure your elevator interior using the Elevator Design Studio, our interactive online design tool that puts creative control at your fingertips. The intuitive step-by-step format lets you choose an elevator interior configuration, apply materials and finishes from our extensive Surfaces library, view your progress in realistic renderings, and request budget pricing - all with a few simple clicks.