

LEVELc-1000 Elevator Interiors comprise a rugged full-panel system optimized for airports, healthcare facilities, parking structures, educational institutions, and other public spaces where maintainable aesthetics and resistance to abuse are primary concerns. Wall panels consist of a decorative face material—Stainless Steel or Fused Metal—bonded to a fire-rated substrate. A z-clip mounting system makes LEVELc-1000 easy to install.

Beyond LEVELc, the F+S Elevator Interiors program gives you unparalleled creative freedom for meeting the aesthetic, performance and budgetary requirements of virtually any environment. Ideal for new or modernization projects, the program includes three distinct families that suit diverse field conditions without sacrificing ease of specification, installation, maintenance, or breadth of material choices. Learn more about the entire program on our website.

SYSTEM COMPONENTS

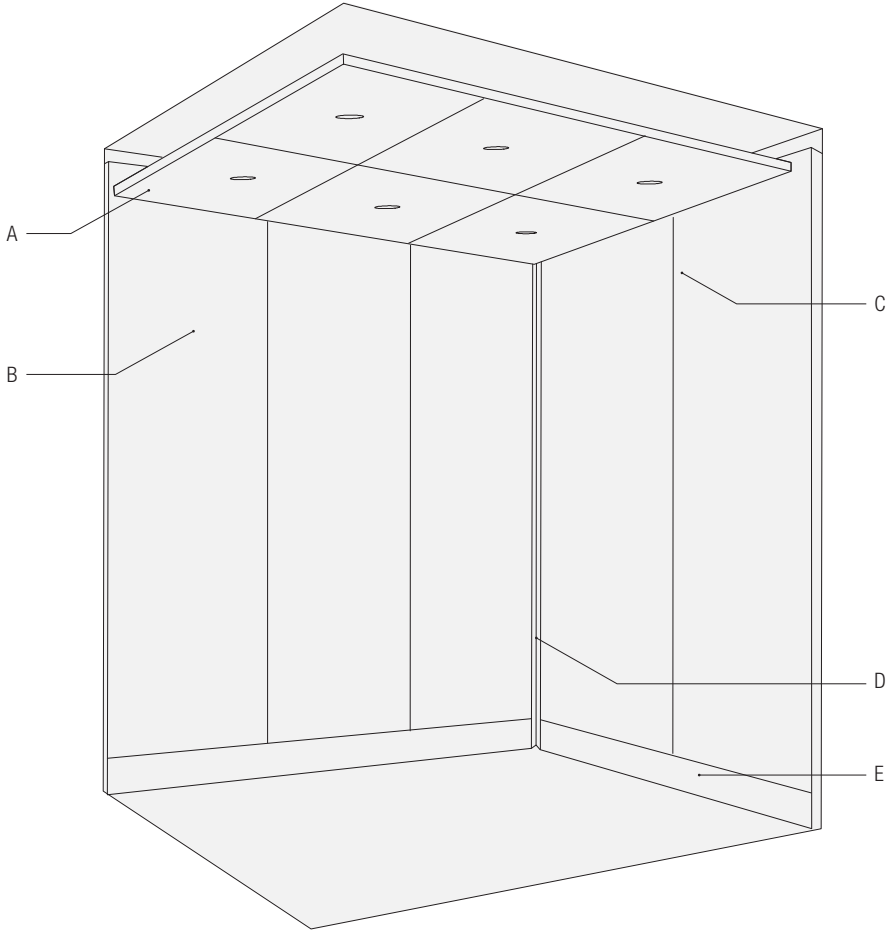
Wall Panels, Bases, Reveals, Installation Hardware

Optional: Handrails, Crash Rails, Elevator Ceiling with Light Fixtures and Emergency Lighting Power Source

EXAMPLE: LEVELc-1000 ELEVATOR INTERIOR

A. Elevator Ceiling*	C. Side Wall Panels	E. Base Facing
B. Rear Wall Panels	D. Corner Reveal	

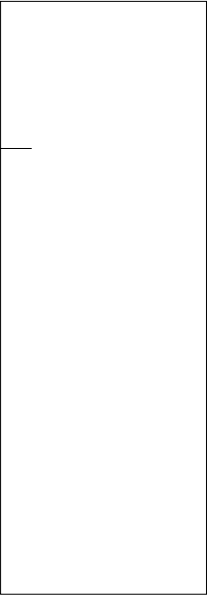
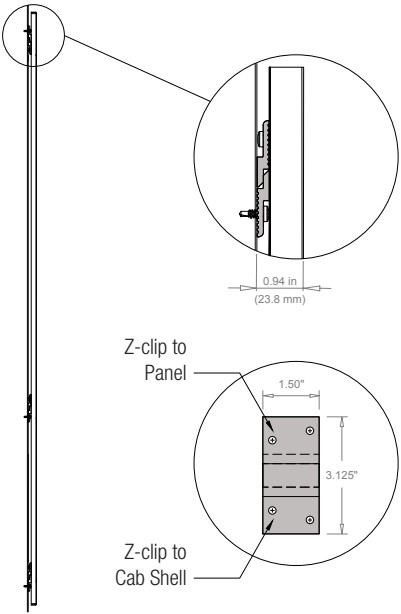
**Refer to the Elevator Ceiling Product Data Sheet for related details.*



COMPATIBILITY & WEIGHT

SHELL COMPATIBILITY	WEIGHT INFORMATION*
<p>LEVELc Elevator Interiors can be specified for elevators of any size, weight capacity, or door configuration. Most interiors are installed in steel elevator shells but can also be supplied with appropriate screws for installation in wood shells.</p> <p>Most elevator shells are found to be out-of-square to some degree. LEVELc wall panels and corner reveals have sufficient tolerances built into them to easily accommodate the vast majority of out-of-square conditions or other dimensional irregularities.</p>	<p>LEVELc-1000 Elevator Interior panels weigh up to approximately 3.3 lbs. per square foot. Handrail and crash rail weights vary by series and length.</p> <p>Estimated total weights for customer-specified cab interiors can be provided once shell dimensions, material selections and other system options are specified.</p>

SYSTEM COMPONENTS

WALL PANELS		
<p>LEVELc-1000 panels consist of a decorative face material bonded to a fire-rated substrate. The substrate includes an aluminum backer for enhanced panel stability.</p> <p>Total panel thickness, including attachment system, is a nominal 15/16".</p>		


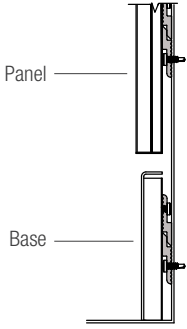
LEVELc-1000 PANEL & INSET MATERIAL OPTIONS

Please refer to the related Product Data Sheet for complete product and material information.

	VIVIDGLASS	CASTGLASS	STAINLESS STEEL	FUSED METAL	LINQ WOVEN METAL	BONDED METAL	BONDED QUARTZ	WOOD VENEER
LEVELc-1000 PANELS			•	•				
ELEVATOR CEILINGS			•	•				

THIRD PARTY INSET MATERIALS	Customers sometimes wish to specify their own inset materials to match lobby walls or other areas on specific projects. This is generally feasible, provided the materials meet certain dimensional requirements. Please call for more information.
------------------------------------	---

SYSTEM COMPONENTS

CORNER REVEALS	
<p>90° angled Corner Reveals are supplied for the cab rear corners.</p> <p>Front Corner Reveals are supplied for corners nearest the elevator door.</p> <p>Corner Reveals are available in Clear or Black anodized finishes and installed with pre-applied mounting adhesive.</p>	
BASES	
<p>A 4" (101.6 mm) high base is fitted between the finished floor and the wall panels.</p> <p>Bases consist of Stainless Steel or Fused Metal decorative faces applied to an extruded aluminum substrate with pre-applied mounting adhesive.</p>	

HANDRAILS & CRASH RAILS

Handrails and crash rails can be specified for elevator interior back walls and/or side walls. For information on the full range of options, refer to the separate Elevator Handrails & Crash Rails Product Data Sheet.

CODE COMPLIANCES

Elevator wall panels, bases, handrails, crash rails, and ceilings comply with the following codes and guidelines:

ASME A17.1-2010: Safety Code for Car Enclosures, Car Doors and Gates, and Car Illumination - Section 2.14
<ul style="list-style-type: none"> • 2.14.1.2 - Securing of Enclosures • 2.14.1.5 - Top Emergency Exits • 2.14.1.8 - Glass in Elevator Cars • 2.14.2.1 - Material for Car Enclosures, Enclosure Linings, and Floor Coverings • 2.14.2.3 - Ventilation • 2.14.2.4 - Headroom in Elevator Cars • 2.14.7.4 - Protection of Light Bulbs and Tubes
2001 California Building Code, Chapter 30
<ul style="list-style-type: none"> • 3003.4.7 - Car Inside* • 3003.4.12 - Handrails
Americans with Disabilities Act Accessibility Guidelines (ADAAG)
<ul style="list-style-type: none"> • 4.10.9 - Floor Plan of Elevator Cars*

*Complies when installed in most common sizes of passenger cabs and service cabs. Purchasing party is responsible for ensuring that finished installation maintains minimum floor dimensions required by ADA guidelines and applicable local codes.

EMERGENCY & VENTILATION

<p>EMERGENCY LIGHTING</p> <p>Emergency lighting is included in the standard elevator ceiling lighting system, unless otherwise specified in writing. The emergency lighting system incorporates an additional power supply with a battery to power the emergency lights in the event of a main power failure. The power supply includes an automatic battery charger, test switch, low battery voltage circuit, and alarm terminals.</p> <p>The emergency lights are integrated into the standard downlight system; any of the downlights, as specified, can act as the emergency light. In ceilings without downlights, a separate emergency lighting system will be located at the front of the cab, unless otherwise specified.</p>	<p>EMERGENCY EXIT</p> <p>The emergency exit can be placed anywhere in the ceiling as needed to line up with the exit opening in the cab shell canopy. Please detail the exact placement needed for your project and this information will be verified via approval drawings.</p>
<p>VENTILATION</p> <p>Elevator Interiors are designed to accommodate most standard vent configurations. Unusual or non-standard ventilation requirements should be brought to our attention and detailed in the approval drawings to ensure compliance once material is installed.</p>	<p>FIRE RATINGS</p> <p>Elevator ceiling backer materials and all stainless steel and Fused Metals are generally considered to be Class A/I fire-rated for smoke development and flame spread.</p>

DELIVERY & INSTALLATION

<p>DELIVERY</p> <p>Wall panels, bases, reveals, handrails and crash rails (if applicable) for each individual cab arrive in a single crate, unless glass panels are required. Ceilings, if specified, are also crated separately.</p> <p>All crates arrive with components neatly organized and includes all the necessary fasteners, adhesives and installation instructions.</p>	<p>ELEVATOR INTERIOR INSTALLATION</p> <p>Designed for quick installation, LEVELc-1000 uses a system of extruded aluminum mounting clips that come pre-installed on the wall panels. Mating clips are field-attached to the elevator shell interior using the included templates for easy vertical alignment.</p>	<p>WALL PANEL REPLACEMENT</p> <p>If wall panels are ever damaged due to accident or vandalism, replacement panels can be ordered from Forms+Surfaces.</p>
---	---	--

CUSTOM ELEVATOR INTERIORS

If your design requirements go beyond the standard LEVELc configuration, material and finish offerings, customized versions are available for an additional charge. Please call us to discuss your needs.

LEAD TIME

Standard lead times are approximately 6-8 weeks, however, lead times can vary depending on the specifics of the products involved, the scope of supply and scheduling capacity at time of order approval. Please contact us to discuss your specific timing requirements.

TECHNICAL SUPPORT & PROJECT MANAGEMENT

Because each project is unique, our knowledgeable support team is ready to help. Our technical sales, engineering, sustainability, and project management professionals regularly assist our clients worldwide. Please contact us at 800.451.0410 or sales@forms-surfaces.com to discuss your project.

HOW TO SPECIFY

Visit www.elevatordesignstudio.com to configure your elevator interior using the Elevator Design Studio, our interactive online design tool that puts creative control at your fingertips. The intuitive step-by-step format lets you choose an elevator interior configuration, apply materials and finishes from our extensive Surfaces library, view your progress in realistic renderings, and request budget pricing - all with a few simple clicks.