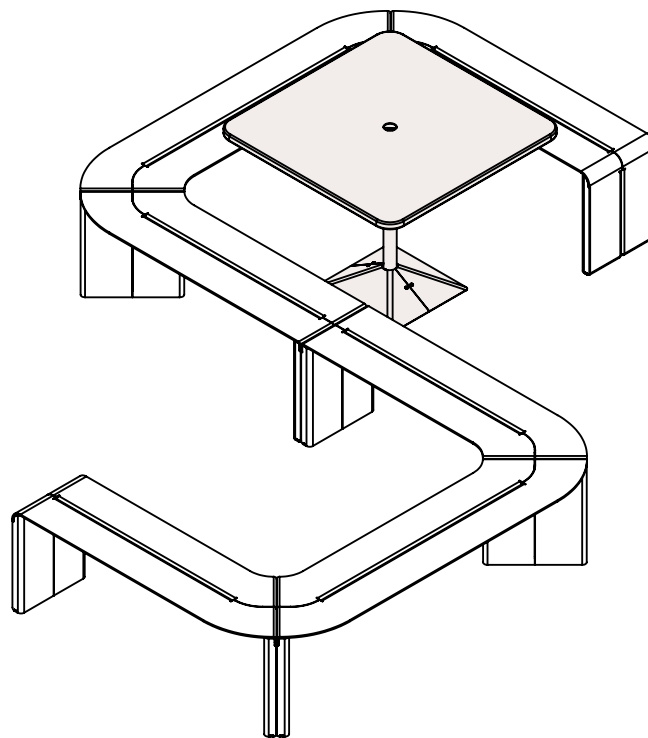


**Freestanding with FSC® wood top**



**Surface mount with aluminum top and umbrella hole, shown with Hypha Bench**

## Design Versatility

- Powdercoated frame and table top, optional FSC® 100% Cumaru, FSC® Mixed Credit Thermally Modified Red Oak.
- 1.5"-1.7" umbrella hole available for surface mounted tables only.
- Hypha Benches enhance site cohesion and expand design possibilities.

## Materials & Construction

- Powdercoated stainless steel bases and aluminum frame. Tables tops are available in powdercoated aluminum, FSC® 100% Cumaru and FSC® Mixed Credit Thermally Modified Red Oak.
- F+S standard powdercoat colors available or custom RAL colors are available for an up charge.

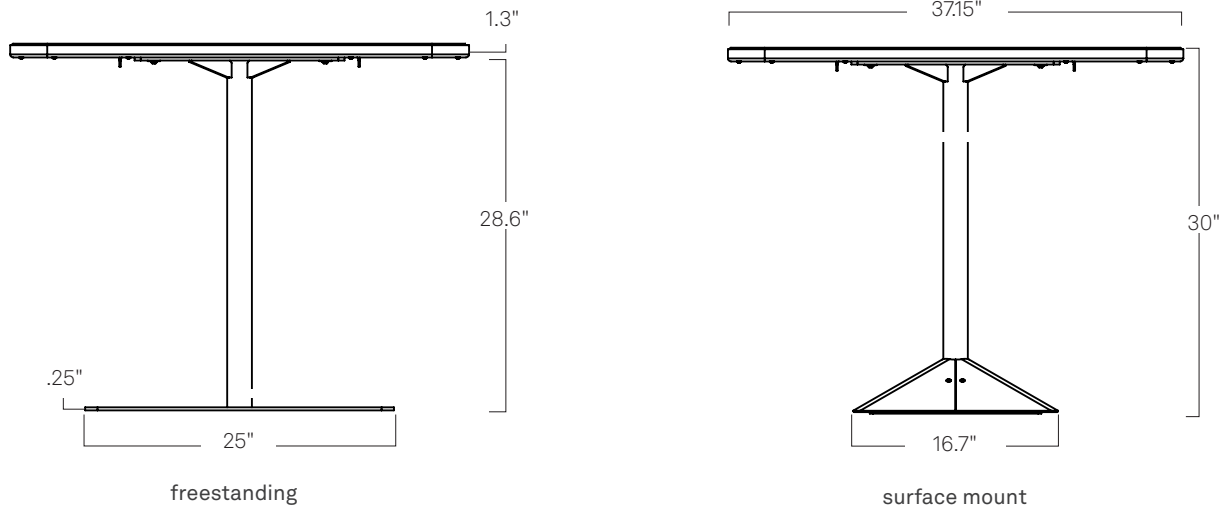
## Installation

- Hypha Tables can be freestanding or surface mounted.

## Maintenance

- Clean as needed using a soft cloth or brush with warm water and a mild detergent. Avoid abrasive cleaners.

## Nominal Dimensions



Model	Dimensions	Descriptions	Weight
STHYP-ALI-NUM-FRS	37.15" x 37.15" x 30"	Aluminum inset, No umbrella hole, Freestanding	94.1 lbs (42.6 kg)
STHYP-ALI-NUM-SFM	37.15" x 37.15" x 30"	Aluminum inset, No umbrella hole, Surface Mount	86.3 lbs (39.2 kg)
STHYP-ALI-UMB-SFM	37.15" x 37.15" x 30"	Aluminum inset, Umbrella hole, Surface Mount	86.3 lbs (39.2 kg)
STHYP-CU-NUM-FRS	37.15" x 37.15" x 30"	FSC® 100% Cumaru inset, No umbrella hole, Freestanding	110 lbs (49.9 kg)
STHYP-CU-NUM-SFM	37.15" x 37.15" x 30"	FSC® 100% Cumaru inset, No umbrella hole, Surface Mount	102.3 lbs (46.4 kg)
STHYP-CU-UMB-SFM	37.15" x 37.15" x 30"	FSC® 100% Cumaru inset, Umbrella hole, Surface Mount	102.3 lbs (46.4 kg)
STHYP-RO-NUM-FRS	37.15" x 37.15" x 30"	FSC® Mixed Credit Thermally Modified Red Oak inset, No umbrella hole, Freestanding	110 lbs (49.9 kg)
STHYP-RO-NUM-SFM	37.15" x 37.15" x 30"	FSC® Mixed Credit Thermally Modified Red Oak, No umbrella hole, Surface Mount	102.3 lbs (46.4 kg)
STHYP-RO-UMB-SFM	37.15" x 37.15" x 30"	FSC® Mixed Credit Thermally Modified Red Oak Top, Umbrella hole, Surface Mount	102.3 lbs (46.4 kg)

## Environmental Considerations

- Please refer to the Hypha Table Environmental Data Sheets for detailed environmental impact information.
- Metal components have a long life cycle and are 100% recyclable.
- Standard powdercoat finishes are no-VOC; non-standard powdercoat finishes are no- or low-VOC, depending on color.
- Low maintenance; easy to disassemble.

## Additional Product Options

- Custom RAL powdercoat color.
- Stainless steel mounting hardware.

## Lead Time

- 6 to 8 weeks. Shorter lead times may be available upon request. Please contact us to discuss your specific timing requirements.