

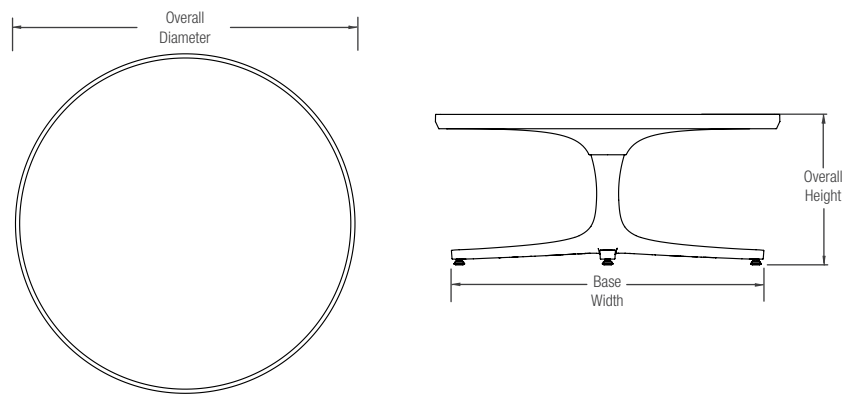
**Avivo Tables** bring a distinctly F+S point of view to café seating. Tables in three sizes have frames of beautifully detailed aluminum with a powdercoat finish. Top options include powdercoated aluminum with or without perforations or VividGlass. Blending modern aesthetics with versatile design options, the Avivo family includes chairs, barstools, and tables in a variety of sizes and styles and is at home indoors and out.

## MATERIAL & CONSTRUCTION DETAILS

## INSTALLATION & MAINTENANCE

CONFIGURATIONS	TABLE TOP INSET OPTIONS	INSTALLATION
<ul style="list-style-type: none"> <li>• Three configurations are available: coffee table, café table, and bar table.</li> <li>• Coffee table has a nominal 16" height. Café table has a nominal 30" height. Bar table has a nominal 43" height.</li> <li>• Pedestal base is 32.5" diameter.</li> </ul>	<ul style="list-style-type: none"> <li>• Table tops are available in 36" or 42" diameters.</li> <li>• Aluminum insets are available with or without perforation and will be powdercoated to match the frame.</li> <li>• Glass inset available in ViviGraphix Graphica laminated glass in standard Shift pattern or can be customized using our vast VividGlass line. All glass insets are tempered.</li> </ul>	<ul style="list-style-type: none"> <li>• Tables can be freestanding with nylon leveling feet or surface mounted.</li> <li>• Stainless steel mounting hardware sold separately.</li> </ul>
PEDESTAL AND TABLE TOP FRAME		
<ul style="list-style-type: none"> <li>• Pedestal and table top frame are aluminum with a powdercoat finish.</li> <li>• See the Forms+Surfaces Powdercoat Chart for details. Custom RAL colors are available for an upcharge.</li> <li>• All Forms+Surfaces powdercoat colors have been formulated to be ultra-durable for improved long-term wear and resistance to weathering. Our powdercoat colors are also anti-graffiti, allowing marks from paint, permanent markers, and dirt to be easily removed.</li> <li>• Due to the inherent nature of metal castings, gloss powdercoats are not offered for cast components.</li> </ul>	UMBRELLA HOLE	MAINTENANCE
	<ul style="list-style-type: none"> <li>• Table tops may be specified with or without a center hole to receive a 1.5" (38 mm) - 1.75" (44.5 mm) diameter umbrella pole. When an umbrella hole is specified, a nylon collar and cap are included.</li> </ul>	<ul style="list-style-type: none"> <li>• Powdercoated aluminum surfaces can be cleaned as needed using a soft cloth or brush with warm water and a mild detergent. Avoid abrasive cleaners.</li> <li>• VividGlass surfaces can be maintained using standard commercial, non-streaking cleaners and polishes formulated for use on glass.</li> </ul>

## NOMINAL DIMENSIONS



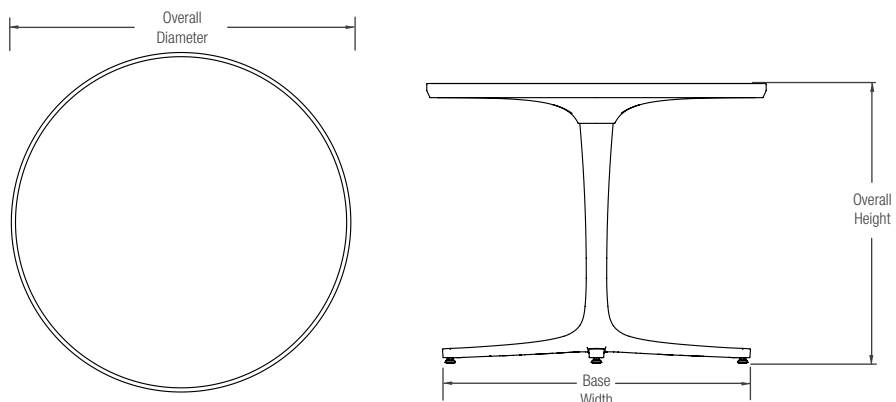
AVIVO PEDESTAL COFFEE TABLE  
(shown with 36" table top)

MODEL	OVERALL DIAMETER	OVERALL HEIGHT*	BASE WIDTH	WEIGHT
STAVO-L36R	36.0" (915 mm)	16" (406 mm)	32.5" (826 mm)	49.9 lbs (22.6 kg)
STAVO-L42R	42.0" (1067 mm)	16" (406 mm)	32.5" (826 mm)	59.2 lbs (26.8 kg)

\*Includes nylon leveling feet

See Page 4 for complete model number descriptions.

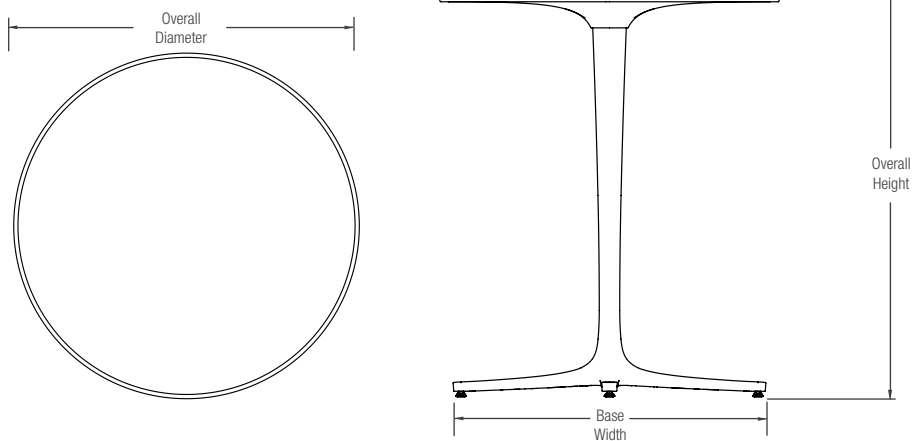
**NOMINAL DIMENSIONS CONTINUED**



AVIVO PEDESTAL CAFÉ TABLE  
 (shown with 36" table top)

MODEL	OVERALL DIAMETER	OVERALL HEIGHT*	BASE WIDTH	WEIGHT
STAVO-C36R	36.0" (915 mm)	30" (762 mm)	32.5" (826 mm)	51.2 lbs (23.2 kg)
STAVO-C42R	42.0" (1067 mm)	30" (762 mm)	32.5" (826 mm)	60.4 lbs (27.4 kg)

\*Includes nylon leveling feet  
 See Page 4 for complete model number descriptions.



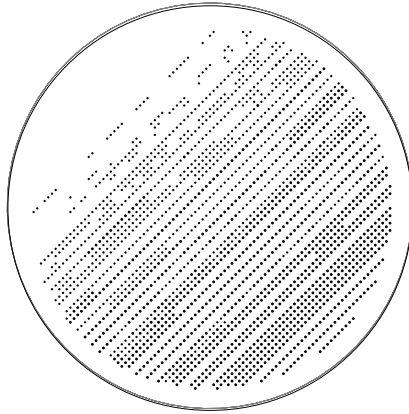
AVIVO PEDESTAL BAR TABLE  
 (shown with 36" table top)

MODEL	OVERALL DIAMETER	OVERALL HEIGHT*	BASE WIDTH	WEIGHT
STAVO-B36R	36.0" (915 mm)	43" (1092 mm)	32.5" (826 mm)	52.4 lbs (23.8 kg)
STAVO-B42R	42.0" (1067 mm)	43" (1092 mm)	32.5" (826 mm)	61.7 lbs (28 kg)

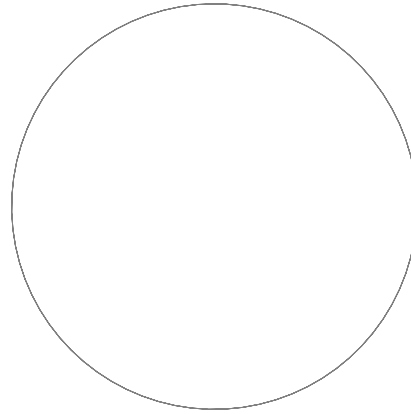
\*Includes nylon leveling feet  
 See Page 4 for complete model number descriptions.

## ALUMINUM TABLE TOP OPTIONS

RIVA PERFORATION



SOLID



## VIVIGRAPHIX GRAPHICA LAMINATED GLASS TABLE TOP PATTERN

SHIFT



## ENVIRONMENTAL CONSIDERATIONS

- Please refer to the Avivo Pedestal Table Environmental Data Sheet for detailed environmental impact information.
- Avivo Pedestal Tables have high recycled content and are highly recyclable.
- Standard powdercoat finishes are no-VOC; non-standard powdercoat finishes are no- or low-VOC, depending on color.
- Low maintenance.

## MODEL NUMBERS AND DESCRIPTIONS

MODEL	DESCRIPTION
STAVO-L36RA	Avivo Pedestal Coffee Table, 36" table top, aluminum inset
STAVO-L36RL	Avivo Pedestal Coffee Table, 36" table top, ViviGraphix Graphica laminated glass inset
STAVO-C36RA	Avivo Pedestal Café Table, 36" table top, aluminum inset
STAVO-C36RL	Avivo Pedestal Café Table, 36" table top, ViviGraphix Graphica laminated glass inset
STAVO-B36RA	Avivo Pedestal Bar Table, 36" table top, aluminum inset
STAVO-B36RL	Avivo Pedestal Bar Table, 36" table top, ViviGraphix Graphica laminated glass inset
STAVO-L42RA	Avivo Pedestal Coffee Table, 42" table top, aluminum inset
STAVO-L42RL	Avivo Pedestal Coffee Table, 42" table top, ViviGraphix Graphica laminated glass inset
STAVO-C42RA	Avivo Pedestal Café Table, 42" table top, aluminum inset
STAVO-C42RL	Avivo Pedestal Café Table, 42" table top, ViviGraphix Graphica laminated glass inset
STAVO-B42RA	Avivo Pedestal Bar Table, 42" table top, aluminum inset
STAVO-B42RL	Avivo Pedestal Bar Table, 42" table top, ViviGraphix Graphica laminated glass inset

## PRODUCT OPTIONS

The following options are available for an upcharge

VividGlass laminated glass inset	Umbrella hole
Stainless steel mounting hardware	Custom RAL powdercoat color

**LEAD TIME:** 6 to 8 weeks. Please contact us to discuss your specific timing requirements.

**PRICING:** Please contact us at **800.451.0410** or **sales@forms-surfaces.com**. At Forms+Surfaces, we design, manufacture and sell our products directly to you. Our sales team is available to assist you with questions about our products, requests for quotes, and orders. Territory Managers are located worldwide to assist with the front-end specification and quoting process, and our in-house Project Sales Coordinators follow your project through from the time you place an order to shipment.

**TO ORDER SPECIFY:** Quantity, model, powdercoat color, tabletop inset, and freestanding or surface mount. Design Guides are available on our website to lead you through the specification process in a simple checkbox format.