

PROJECT NAME: _____

DATE: _____

JOB LOCATION: _____

COMPANY: _____

SPECIFIER: _____

PLEASE USE ADOBE READER OR ADOBE ACROBAT TO FILL OUT AND SAVE FORM. USING OTHER PROGRAMS COULD RESULT IN UNSAVED DATA.

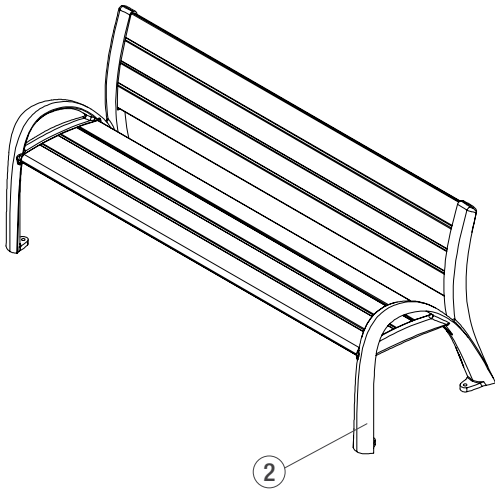
MODEL

QUANTITY	MODEL	
_____	SBCAM-72BA	Camber Bench, 6-foot, extruded aluminum slats
_____	SBCAM-72BW	Camber Bench, 6-foot, FSC® 100% Cumaru hardwood slats
_____	SBCAM-96BA	Camber Bench, 8-foot, extruded aluminum slats

FSC License Code: FSC-C004453

OPTIONS

CAMBER BENCH, NO INTERMEDIATE ARMRESTS,
FSC® 100% CUMARU HARDWOOD SLATS



Bench Design Options

Please select **one** option below and write in specified color.

① Slat Color Options (for models with aluminum slats)

Clear Anodized aluminum

Standard Texture from F+S Powdercoat Color Chart

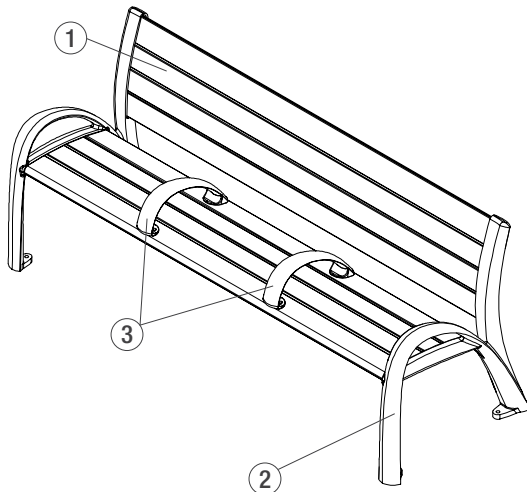
Custom RAL Powdercoat Color (subject to upcharge)

② Frame Powdercoat Color Options

Standard Texture from F+S Powdercoat Color Chart

Custom RAL Powdercoat Color (subject to upcharge)

CAMBER BENCH, TWO INTERMEDIATE ARMRESTS,
EVENLY SPACED, ALUMINUM SLATS



③ Intermediate Armrest Options		
Intermediate Armrest(s) <i>(subject to upcharge)</i>	Yes	No
Armrest location(s)		
One armrest, centered		
Two armrests, evenly spaced		
Three armrests, evenly spaced (8-foot benches only)		
One armrest, off-center <i>Please specify location:</i> _____		
Two armrests, off-center <i>Please specify location:</i> _____		
Three armrests, off-center (8-foot benches only) <i>Please specify location:</i> _____		

Mounting Options
Freestanding
Surface Mount*
Add F+S stainless steel mounting hardware kit*
Do not include F+S mounting kit
<i>*Hardware is required for surface mount benches. Mounting kits can be purchased from F+S for an additional charge.</i>

NOTES

Please send completed forms to sales@forms-surfaces.com or contact us at 800.451.0410 with any questions.