

PROJECT NAME: _____

DATE: _____

JOB LOCATION: _____

COMPANY: _____

SPECIFIER: _____

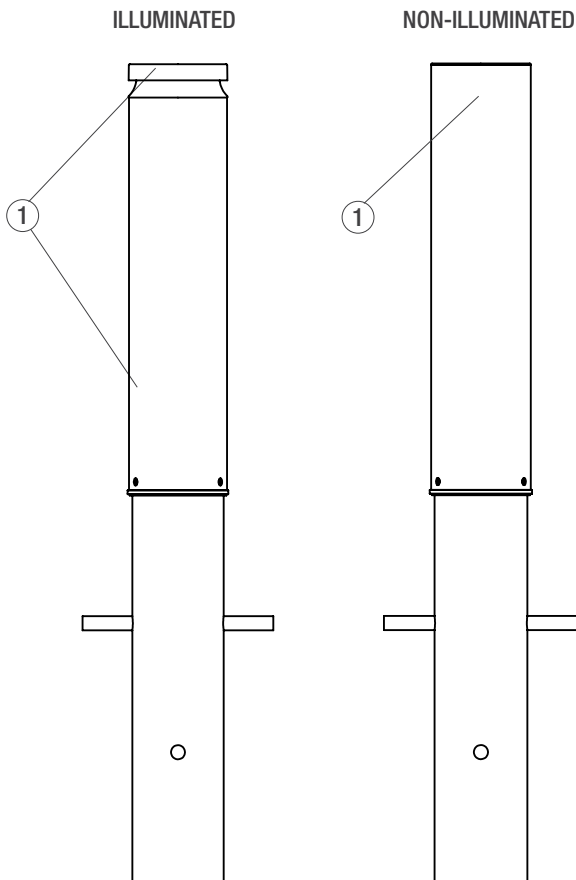
PLEASE USE ADOBE READER OR ADOBE ACROBAT TO FILL OUT AND SAVE FORM. USING OTHER PROGRAMS COULD RESULT IN UNSAVED DATA.

MODEL

QUANTITY	MODEL	
_____	LBHLO-903-SEC	Helio M30/K4 Security Bollard, Series 900, illuminated
_____	LBHLO-903-NSEC	Helio M30/K4 Security Bollard, Series 900, non-illuminated
_____	LBHLO-903	Helio Bollard, Series 900, illuminated (non-security)
_____	LBHLO-903-N	Helio Bollard, Series 900, non-illuminated (non-security)

OPTIONS

HELIO M30-P1/K4 SECURITY BOLLARDS, DEEP SET



1 Finish Options

Please select **one** option below and write in powdercoat color if applicable.

Stainless Steel Finish

Satin

Powdercoat Color Options

Standard Texture from F+S Powdercoat Color Chart

Custom RAL Powdercoat Color (subject to upcharge)

Light Distribution Options

Please select **one** option below (for illuminated bollards only).

180°

360°

Color Temperature Options

Please select **one** option below (illuminated bollards only).

3000K*

4000K

*International DarkSky Approved



Mounting Options

Please select one option below. Please call for pricing information.

Surface Mount*

Add F+S stainless steel mounting hardware kit

Do not include F+S mounting hardware kit

M30-P1/K4 Embedded Security Core**

Deep Set

Shallow Mount

**Hardware is required for surface mount bollards. Mounting kits can be purchased from F+S for an additional charge*

***M30-P1/K4 rating requires the use of F+S provided installation details*

NOTES

Empty box for notes.

Please send completed forms to sales@forms-surfaces.com or contact us at 800.451.0410 with any questions.