

LEVELr Wall Panel & Column System is a sophisticated wall cladding system that pairs a frameless panel aesthetic with extensive material options. Smartly detailed at every turn, LEVELr makes it easy to create a high-end design statement without resorting to custom solutions. Panels accommodate many different F+S Materials, including VividGlass, without a visible framing element. Narrow reveals between panels keep the installed look clean. For added refinement, optional 1/8" proud stainless steel fins can be incorporated between panels—a detail unique to LEVELr that lends an exquisite, contemporary finish. Bases and inside and outside corners expand the customization potential. In addition, the system's depth provides room to manage wiring, electronics and air flow between the wall and panel backs.

PRODUCT FEATURES

- Suitable for interior applications.
- Can be specified for many field conditions.
- Panel shapes and sizes can vary according to specification and field requirements.
- Components have sufficient tolerances built-in to accommodate the majority of out-of-square conditions or other dimensional irregularities.
- Designed continuity throughout a space; coordinates with LEVELr Elevator Interiors.

SYSTEM COMPONENTS

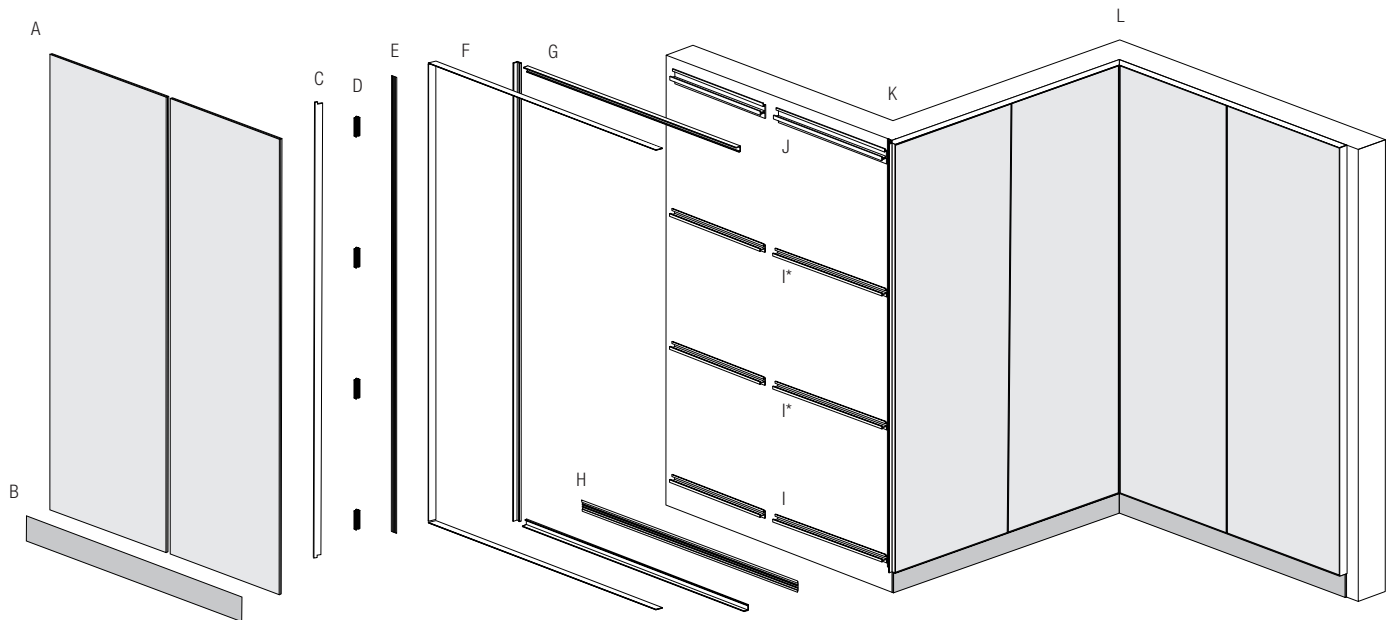
Standard: Panels, Panel Subsystem, Corners, Perimeter Fins and Bases

Optional: Reveal Fins


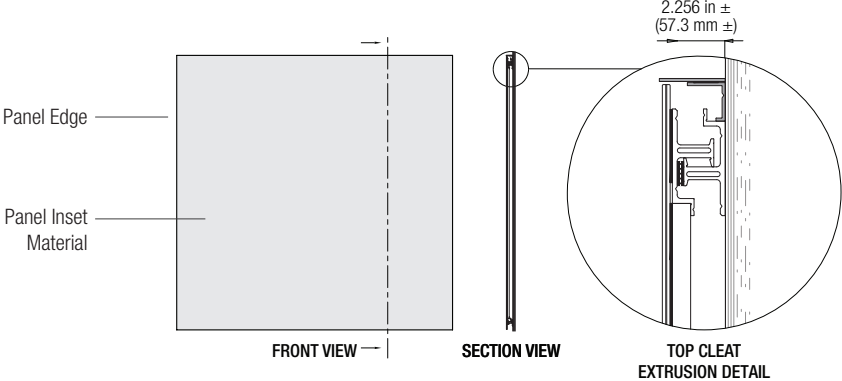
EXAMPLE: LEVELr WALL PANEL SYSTEM

A. Panels	D. Reveal Fin Grips	G. Perimeter L-Channels	J. Top Cleats
B. Base Facing	E. Reveal Fin Mounting Extrusion	H. Base Extrusion	K. Outside Corner
C. Reveal Fin	F. Perimeter Fins	I. Bottom Cleats*	L. Inside Corner

*For larger panels, Bottom Cleats are also used as intermediary support cleats.



SYSTEM COMPONENTS

<p>FRAMELESS PANELS</p> <p>LEVELr panels are frameless panels and have no visible frame. Consisting of a decorative face material bonded to a structural substrate (when glass is the face material, there's no structural substrate, the panel cleats are adhered directly to the back of the glass). The panel's cleats are extruded aluminum and are standard in Clear.</p> <p>Min Panel Size: cannot be smaller than 12" in any direction.</p>	 <p>CLEAR</p>
<p>LEVELr PANELS</p>	
	


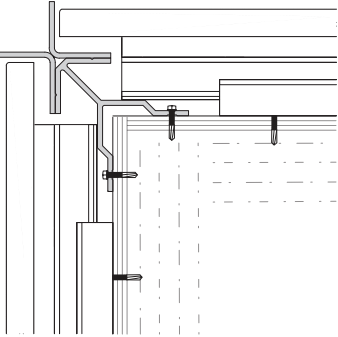
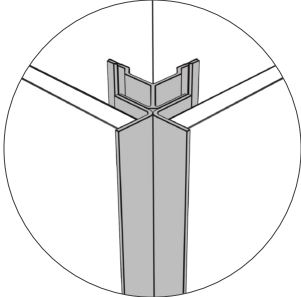
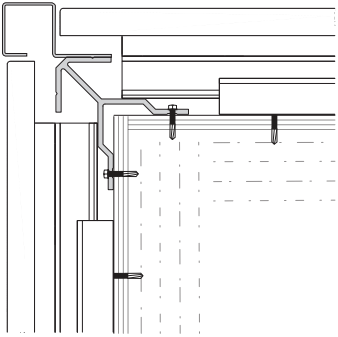
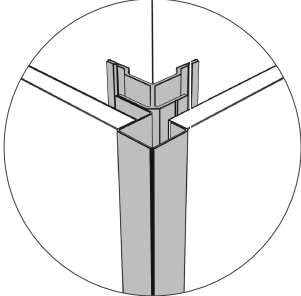
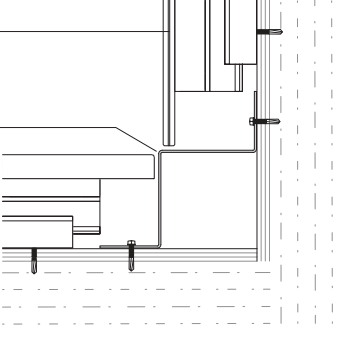
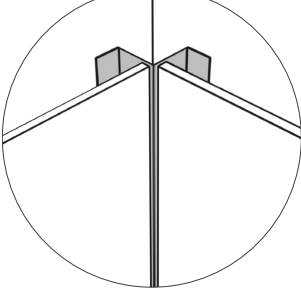
LEVELr PANEL & INSET MATERIAL OPTIONS

Please refer to the related Product Data Sheet for complete material information.


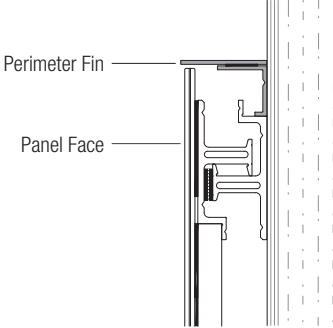
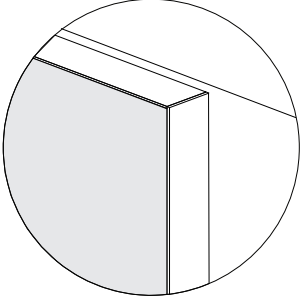
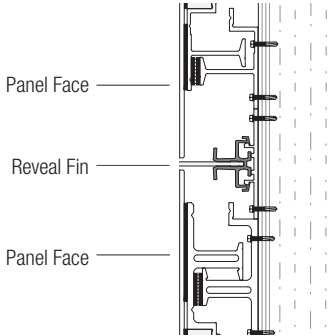
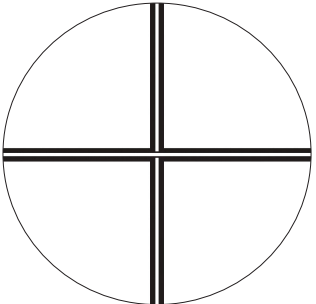
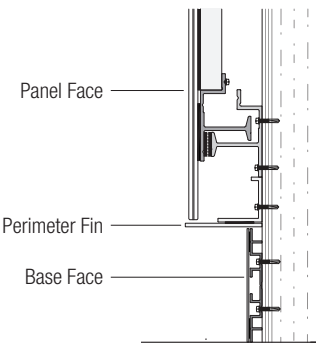
	VIVIDGLASS	CASTGLASS	STAINLESS STEEL	FUSED METAL	LINQ WOVEN METAL	BONDED METAL	BONDED QUARTZ	WOOD VENEER
LEVELr PANELS	•		•	•		•	•	•

THIRD PARTY INSET MATERIALS	Customers sometimes wish to specify their own inset materials to match lobby walls or other areas on specific projects. This is generally feasible, provided the materials meet certain requirements. Please call for more information.
------------------------------------	---

SYSTEM COMPONENTS

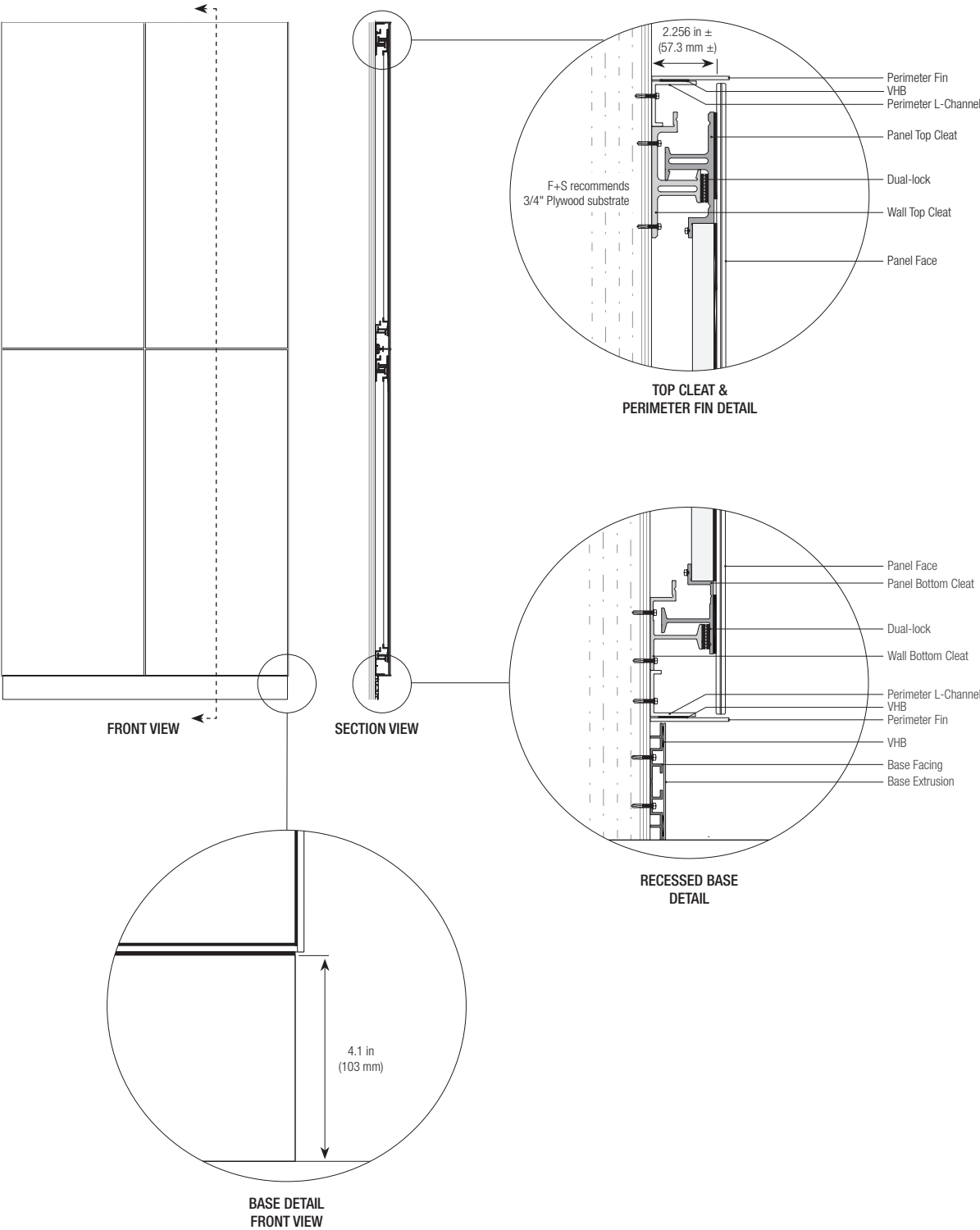
<p>CORNERS</p> <p>Outside Open Corners are available in bead-blasted stainless steel, black anodized aluminum.</p> <p>Outside Closed Corners are available in bead-blasted stainless steel, black anodized aluminum, or any of our standard Architectural Metal finishes.</p> <p>Inside Corners are 90° angled metal available in bead-blasted stainless steel or black anodized aluminum.</p>		 <p>BEAD-BLASTED BLACK</p>
<p>OUTSIDE OPEN CORNERS</p>		
<p>Outside Open Corner</p> <p>Panel Face</p> 	 <p>OUTSIDE OPEN CORNER</p>	
<p>OUTSIDE CLOSED CORNERS</p>		
<p>Outside Closed Corner</p> <p>Panel Face</p> 	 <p>OUTSIDE CLOSED CORNER</p>	
<p>INSIDE CORNERS</p>		
<p>Panel Face</p> <p>Inside Corner</p> 	 <p>INSIDE CORNER</p>	

SYSTEM COMPONENTS

<p>FINS</p> <p>Perimeter Fins and Reveal Fins have a 1/8" width and are available in bead-blasted stainless steel or black anodized aluminum.</p> <p>Perimeter Fins are standard system components; Reveal Fins are optional.</p>	 <p>BEAD-BLASTED BLACK</p>
<p>PERIMETER FINS</p>	
	 <p>FRONT VIEW</p>
<p>REVEAL FINS</p>	
	 <p>FRONT VIEW</p>
<p>BASES</p>	
<p>4.1" (103 mm) base consist of a decorative Architectural Metal face material applied to an extruded aluminum substrate with pre-applied mounting adhesive.</p> <p>The base is recessed 2" from the face of the panel. The base can be shimmed to any depth.</p> <p>If you would like to use your own base, the system can be provided without a base.</p>	

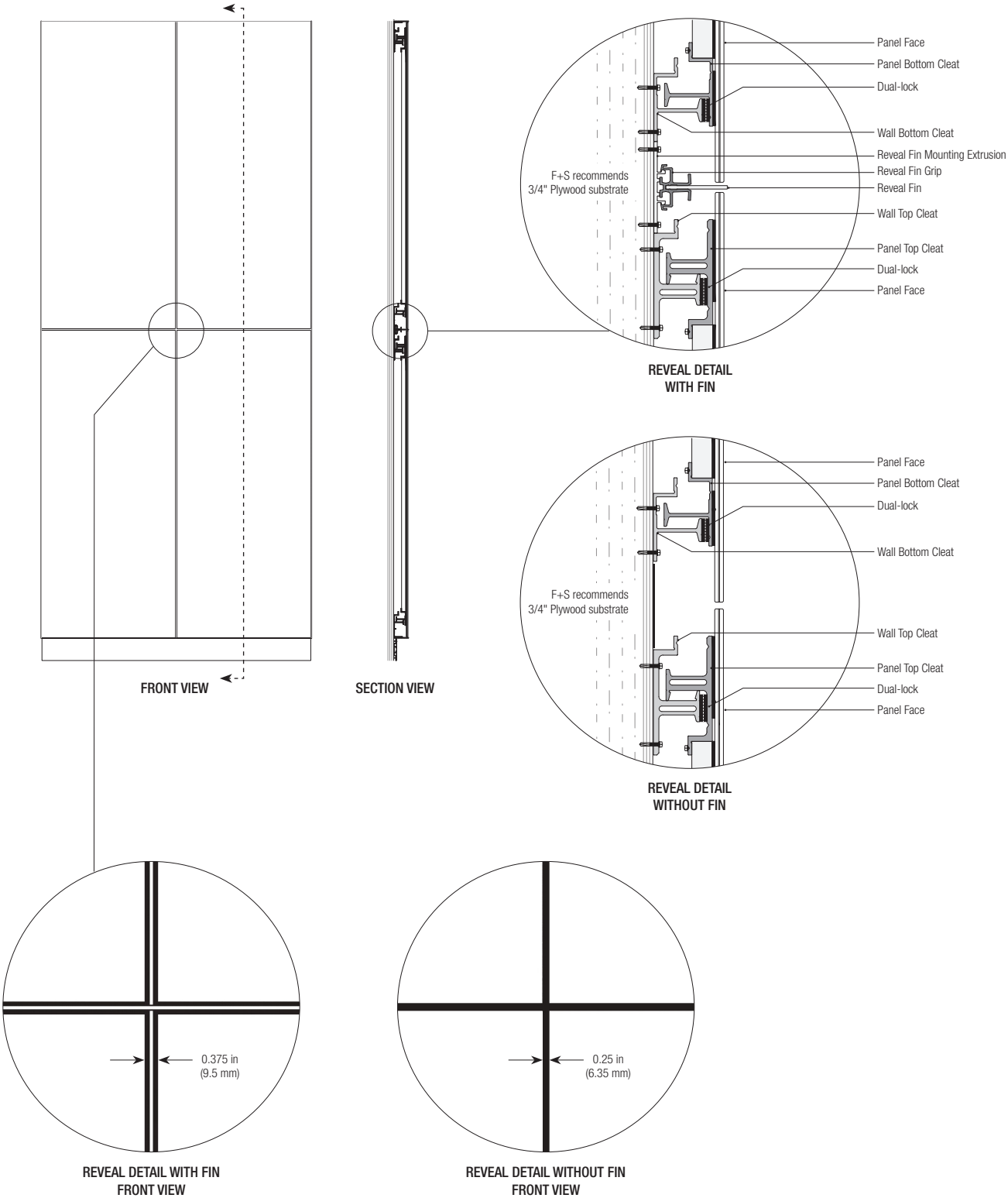
STANDARD SYSTEM DETAILS

Panel details shown are for LEVELr Wall Panel System.



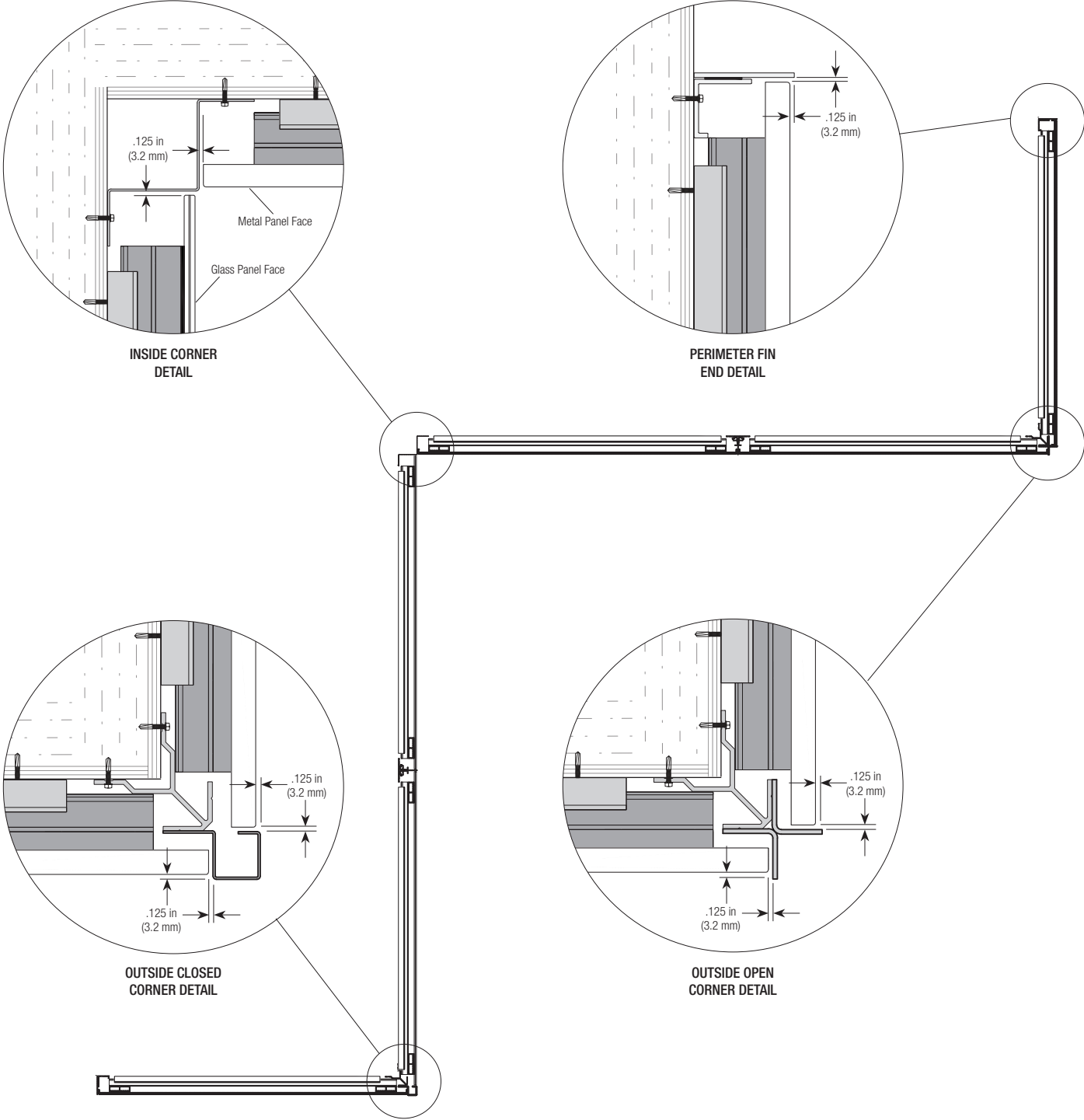
STANDARD SYSTEM DETAILS

Panel details shown are for LEVELr Wall Panel System.



STANDARD SYSTEM DETAILS

Panel details shown are for LEVELr Wall Panel System.



DELIVERY & INSTALLATION

DELIVERY	INSTALLATION	PANEL REPLACEMENT
<p>Panels, panel subsystem, bases, corners and fins for each individual wall arrive in a single crate, unless glass panels are required. Glass panels will be packaged separately in A-frame crates, making it easy to organize materials on site.</p> <p>The crate arrives with components neatly organized and includes all the necessary fasteners, adhesives and installation instructions.</p>	<p>LEVELr installation is designed to be straight-forward and efficient. Many field conditions can be accommodated by adhering to the following installation sequence.</p> <p>First, the base extrusions are attached with self-tapping screws. Perimeter L-channels, and reveal fin mounting extrusions and corners (if specified) are placed. Next, the top and bottom cleats are installed, followed by the reveal fin grips and the reveal fins (if specified). Perimeter fins are then attached to the Perimeter L-channels. Lastly, the panels are engaged via a cleat support system. Note: panels can be installed and replaced independently and in any order.</p>	<p>If panels are ever damaged due to accident or vandalism, replacement panels can be ordered from Forms+Surfaces.</p> <p>The attachment system permits one panel to be removed without disturbing those around it, keeping downtime to a minimum.</p>

CUSTOM WALL PANEL & COLUMNS

If your design requirements go beyond the standard LEVELr configurations or material and finish options, customized variations are available for an additional charge. Please call us to discuss your needs.

TECHNICAL SUPPORT & PROJECT MANAGEMENT

Because each project is unique, our knowledgeable support team is ready to help. Our technical sales, engineering, sustainability, and project management professionals regularly assist our clients worldwide. Please contact us at 800.451.0410 or sales@forms-surfaces.com to discuss your project.

HOW TO SPECIFY

Design Guides are available for each of the panel configurations to lead you through the specification process in a simple, checkbox format. The Design Guide captures all the information needed to generate a quote: dimensions, finishes, and other options. CSI specifications are also available on our website.