

PROJECT NAME: \_\_\_\_\_

DATE: \_\_\_\_\_

JOB LOCATION: \_\_\_\_\_

COMPANY: \_\_\_\_\_

SPECIFIER: \_\_\_\_\_

PLEASE USE ADOBE READER OR ADOBE ACROBAT TO FILL OUT AND SAVE FORM. USING OTHER PROGRAMS COULD RESULT IN UNSAVED DATA.

**MODEL**

QUANTITY

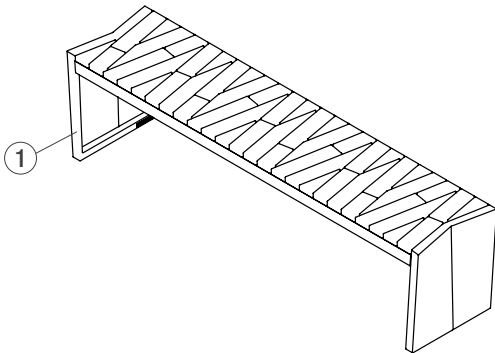
MODEL

\_\_\_\_\_ SBBWK-72AC Boardwalk Bench, FSC® Recycled 100% Cumaru hardwood slats

FSC License Code: FSC-C004453

**OPTIONS**

**FREESTANDING BENCH**



**1 Frame & Seat Divider Powdercoat Color Options**

Please select **one** option below and write in specified color.

Standard Texture from F+S Powdercoat Color Chart

\_\_\_\_\_

Custom RAL Powdercoat Color (subject to upcharge)

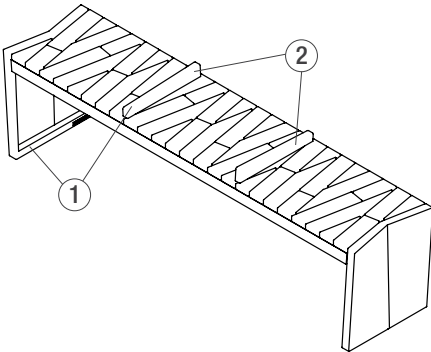
\_\_\_\_\_

**2 Optional Seat Dividers**

Yes (subject to upcharge)

No

**FREESTANDING BENCH WITH SEAT DIVIDERS**



**Mounting Options**

Freestanding

Surface Mount\*

Add F+S stainless steel mounting hardware kit\*

Do not include F+S mounting kit

*\*Hardware is required for surface mount benches. Mounting kits can be purchased from F+S for an additional charge.*

**NOTES**

Please send completed forms to [sales@forms-surfaces.com](mailto:sales@forms-surfaces.com) or contact us at 800.451.0410 with any questions.