

PROJECT NAME: _____

DATE: _____

JOB LOCATION: _____

COMPANY: _____

SPECIFIER: _____

PLEASE USE ADOBE READER OR ADOBE ACROBAT TO FILL OUT AND SAVE FORM. USING OTHER PROGRAMS COULD RESULT IN UNSAVED DATA.

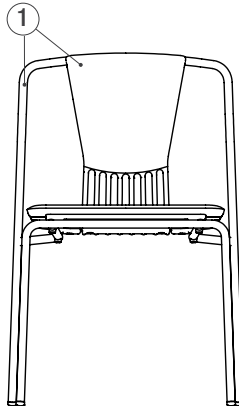
MODEL

QUANTITY	MODEL	
_____	SCFAC-CAL	Factor Chair, formed aluminum seat and back, no arms
_____	SCFAC-CAL-A	Factor Chair, formed aluminum seat and back, with arms
_____	SCFAC-CAC	Factor Chair, cast aluminum back with FSC® 100% Cumaru slat seat, no arms
_____	SCFAC-CAC-A	Factor Chair, cast aluminum back with FSC® 100% Cumaru slat seat, with arms
_____	SCFAC-CAT	Factor Chair, cast aluminum back with FSC® 100% Teak slat seat, no arms
_____	SCFAC-CAT-A	Factor Chair, cast aluminum back with FSC® 100% Teak slat seat, with arms

FSC License Code: FSC-C004453

OPTIONS

FACTOR CHAIR, CAST ALUMINUM BACK, HARDWOOD SEAT SLATS, NO ARMS



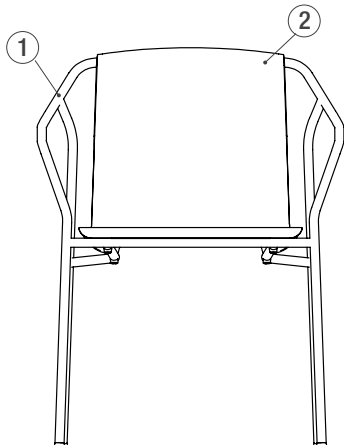
① Powdercoat Color Options

Please select **one** option below and write in specified color.

Standard Texture from F+S Powdercoat Color Chart

Custom RAL Powdercoat Color (subject to upcharge)

FACTOR CHAIR, FORMED ALUMINUM SEAT AND BACK, NO PERFORATION PATTERN, WITH ARMS



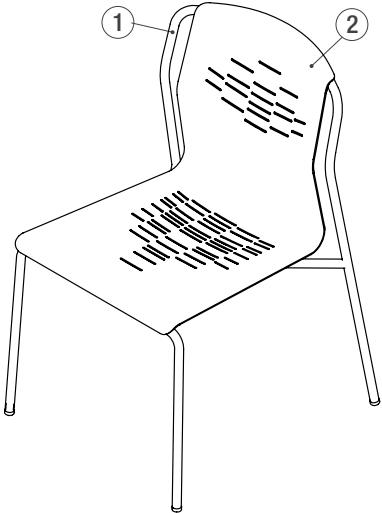
② Powdercoat Color Options

Please select **one** option below and write in specified color.

Standard Texture from F+S Powdercoat Color Chart

Custom RAL Powdercoat Color (subject to upcharge)

FACTOR CHAIR, FORMED ALUMINUM SEAT AND BACK,
VERVE PERFORATION PATTERN, WITHOUT ARMS



Perforation Options (for models with formed aluminum seat and back)

Please select **one** option.

No perforation pattern

Verve perforation pattern

NOTES

Please send completed forms to sales@forms-surfaces.com or contact us at 800.451.0410 with any questions.