

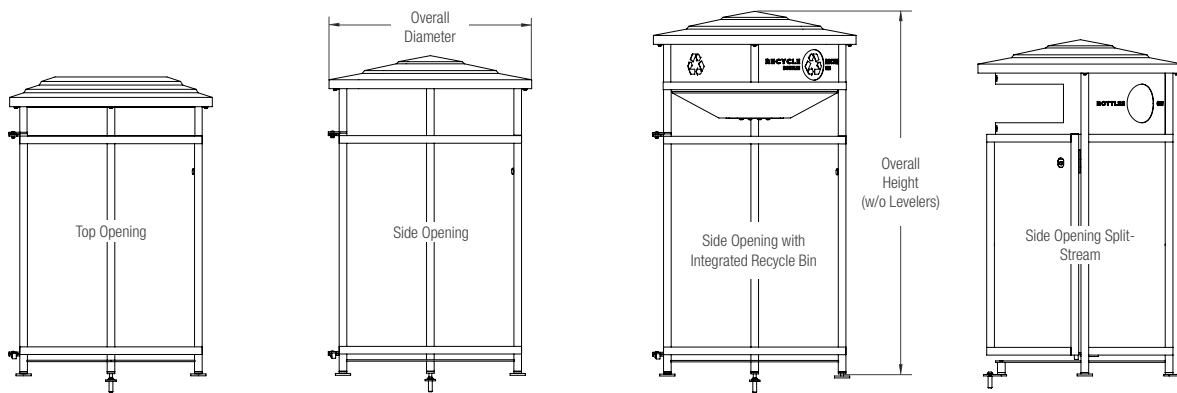
Urban Renaissance Litter & Recycling Receptacles combine classic urban architectural design with performance that meets the rigorous demands of modern city environments. Featuring corrosion-resistant stainless steel construction, this hardened, streetwise receptacle has been specifically designed to defend against abuse, graffiti, vandalism and theft. Three unique standard grillwork designs are available; custom grillwork can also be specified. With models ranging from basic litter receptacles to those utilizing innovative recycling mechanics, Urban Renaissance is an ideal solution for any city environment's litter & recycling needs.

MATERIAL & CONSTRUCTION DETAILS

INSTALLATION & MAINTENANCE

FRAME & GRILLWORK	LID	FINISHES	INSTALLATION
<ul style="list-style-type: none"> Receptacle frame is made of square tubular stainless steel with powdercoat finish. Grillwork is stainless steel sheet with perforations. Standard patterns are Updrop, Vertical and Vista (see page 2); custom designs available for an upcharge. 	<ul style="list-style-type: none"> Lid is made of heavy gauge spun aluminum with an internal structural frame. Lids with sand-filled ash urns for cigarettes are available for an upcharge. 	<ul style="list-style-type: none"> See the Forms+Surfaces Powdercoat Chart for details. Custom RAL colors are available for an upcharge. 	<ul style="list-style-type: none"> Receptacles can be used freestanding or surface mounted. Levelers are supplied for all units. For surface mounting, stainless steel anchors and mounting bolts sold separately.
INTEGRATED RECYCLE BIN CONFIGURATION	SIDE ACCESS DOOR AND LATCH	LINERS	MAINTENANCE
<ul style="list-style-type: none"> Receptacles with integrated recycle bins feature a spring-loaded "trap door" in the bottom of the recycle bin used to empty the bin or to allow non-recyclables to be flushed into the main receptacle below. Allows for emptying by regular maintenance personnel or, as encouraged by some users in urban environments, passersby may empty for scrap or redemption value. 	<ul style="list-style-type: none"> Receptacle opens in a clamshell fashion with half of the body serving as a swing-out door. Latches and hinges are stainless steel. Standard latch option is a lift latch; a security latch operated with a special tool is available for an upcharge. 	<ul style="list-style-type: none"> Both single-stream and split-stream receptacles use independent, replaceable internal liners designed to be used with or without plastic litter bags. Liners are molded from durable black polyethylene with a UL94HB fire rating. 	<ul style="list-style-type: none"> Metal surfaces can be cleaned as needed using a soft cloth or brush with warm water and a mild detergent. Avoid abrasive cleaners.

NOMINAL DIMENSIONS

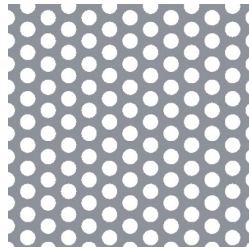


MODEL	OVERALL HEIGHT	OVERALL DIAMETER	OVERALL WEIGHT	CAPACITY
SLURB-36TO	38.6" (980 mm)	26.6" (676 mm)	94.1 lbs (42.67 kg)	36 gallons (136 liters)
SLURB-45TO	43.0" (1092 mm)	28.4" (721 mm)	114.7 lbs (52.03 kg)	45 gallons (170 liters)
SLURB-36SO	41.4" (1052 mm)	26.6" (676 mm)	85.4 lbs (38.71 kg)	36 gallons (136 liters)
SLURB-45SO	45.9" (1166 mm)	28.3" (719 mm)	108.0 lbs (48.97 kg)	45 gallons (170 liters)
SLURB-36RB	47.3" (1201 mm)	26.6" (676 mm)	107.3 lbs (48.67 kg)	36 gallons (136 liters)
SLURB-36SS	43.4" (1101 mm)	26.6" (676 mm)	88.5 lbs (40.14 kg)	36 gallons (136 liters)
SLURB-45SS	47.4" (1204 mm)	28.3" (719 mm)	111.3 lbs (50.48 kg)	45 gallons (170 liters)

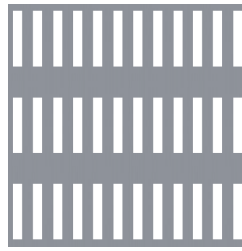
STANDARD GRILLWORK DESIGN OPTIONS (Not to scale)



Updrop



Vista



Vertical

ENVIRONMENTAL CONSIDERATIONS

- Please refer to the Urban Renaissance Environmental Data Sheet for detailed environmental impact information.
- Urban Renaissance has up to 68% recycled content.
- All components are fully recyclable.
- Stainless steel construction ensures a long product life cycle.
- Standard powdercoat finishes are no-VOC; non-standard powdercoat finishes are no- or low-VOC, depending on color.
- Urban Renaissance can make an important contribution to local recycling programs.
- Low maintenance.

MODEL NUMBERS AND DESCRIPTIONS

MODEL	DESCRIPTION
SLURB-36TO	Urban Renaissance, 36-gallon, top opening litter receptacle
SLURB-45TO	Urban Renaissance, 45-gallon, top opening litter receptacle
SLURB-36SO	Urban Renaissance, 36-gallon, side opening litter receptacle, dome lid
SLURB-45SO	Urban Renaissance, 45-gallon, side opening litter receptacle, dome lid
SLURB-36RB	Urban Renaissance, 36-gallon, side opening litter & recycling receptacle, integrated recycle bin, dome lid
SLURB-36SS	Urban Renaissance, 36-gallon, side opening, split-stream litter & recycling receptacle, dome lid
SLURB-45SS	Urban Renaissance, 45-gallon, side opening, split-stream litter & recycling receptacle, dome lid

PRODUCT OPTIONS

The following options are available for an upcharge

Add stainless steel mounting hardware	Upgrade lift latch to tool-operated security latch
Custom RAL powdercoat color	Upgrade dome lid to sand-filled ash lid
Custom grillwork design	

LEAD TIME: 6 to 8 weeks. Shorter lead times may be available upon request. Please contact us to discuss your specific timing requirements.

PRICING: Please contact us at **800.451.0410** or **sales@forms-surfaces.com**. At Forms+Surfaces, we design, manufacture and sell our products directly to you. Our sales team is available to assist you with questions about our products, requests for quotes, and orders. Territory Managers are located worldwide to assist with the front-end specification and quoting process, and our in-house Project Sales Coordinators follow your project through from the time you place an order to shipment.

TO ORDER SPECIFY: Quantity, model, grillwork, powdercoat color, liner with or without drain holes, dome lid or ash lid for side opening litter receptacles. Design Guides are available on our website to lead you through the specification process in a simple checkbox format.