

Tenza Charging Stations bring power for mobile devices and more to any space, indoors or out, in an eye-catching, wedge-shaped form that invites engagement. Tenza's design emphasizes stainless steel—a material that performs beautifully in virtually any setting—and provides convenient, comfortable charging for seated and standing users with a choice of fixture heights. The 36" tall model is all stainless steel and has one charging garage. The taller 53" model is stainless steel with a powdercoated aluminum shell and one or two garages. Each garage houses two traditional outlets plus one each USB-A and USB-C. Regardless of size selected, Tenza can also serve as a canvas for customization: branding elements, regional maps, and wayfinding graphics are just some of the many options.

MATERIAL & CONSTRUCTION DETAILS

CONFIGURATIONS	MATERIALS & FINISHES	WEIGHT
<ul style="list-style-type: none"> Tenza Charging Stations are available in two heights: 36" and 53". 36" models have 1 charging garage. 53" models have an extended perforated shell and are available with either 1 or 2 charging garages. 53" models have a shelf mounted below each garage to hold devices while charging. Shelves are slightly angled and include a slot for drainage. 	<ul style="list-style-type: none"> All charging stations have a stainless steel front/top panel with Satin finish and Ceramiloc treatment. 53" charging stations have a powdercoated aluminum outer shell with perforations on the extended portion. 36" charging stations have a stainless steel outer shell with a Satin finish and Ceramiloc treatment. Charging garages and shelves are powdercoated aluminum. Bases are aluminum with standard Slate Texture powdercoat. For optional powdercoat colors see the Forms+Surfaces Powdercoat Chart. Custom RAL colors are available for an upcharge. Outer shells can be customized with site-specific branding and graphics. Please contact us to discuss your project's specific needs. 	<ul style="list-style-type: none"> 53" with 2 garages: 54.6 lbs 53" with 1 garage: 49.9 lbs 36" with 1 garage: 44.8 lbs
<h3>CHARGING GARAGE DETAILS</h3> <ul style="list-style-type: none"> Garage door is self-closing for protection from water and debris. Garage interior 4000K LED task light turns on automatically when garage door is opened. Each garage houses a standard Legrand® 15A GFCI receptacle. Each receptacle includes two traditional outlets plus one each USB-A and USB-C. 2.0A charging capacity is shared between ports. Receptacle color is Graphite. Receptacles self-test every three seconds and meet NEC® Tamper-Resistant requirements. 		<h3>INSTALLATION & MAINTENANCE</h3> <ul style="list-style-type: none"> Standard mounting is surface mount. Stainless steel mounting hardware sold separately. Templates are available upon request. Installation of a surge protector as part of each unit's wiring is recommended. Metal surfaces can be cleaned as needed using a soft cloth or brush with warm water and a mild detergent. Avoid abrasive cleaners.

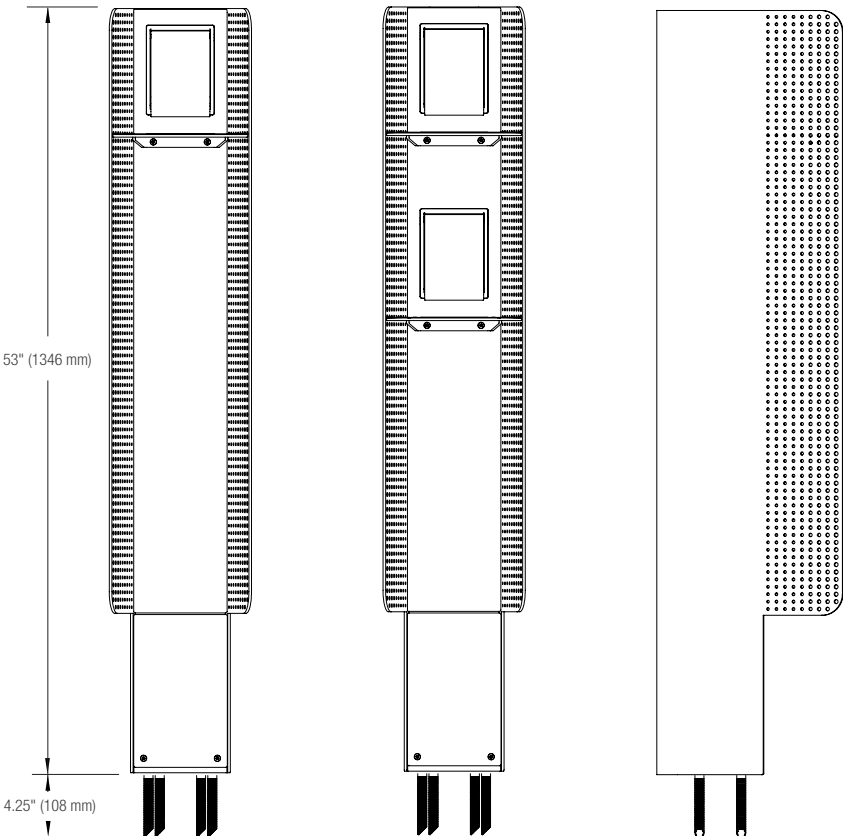
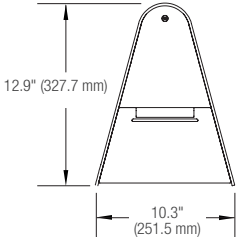
CERAMILOC TREATMENT

Ceramiloc is an invisible surface treatment that offers significantly enhanced protection from weather and graffiti and increases the maintenance ease of stainless steel. Ceramiloc combines ceramic durability with an unparalleled ability to lock out water spots, fingerprints, graffiti and more. Patented technology bonds nano-silica particles to the surface of the stainless steel. The treatment minimally alters the surface appearance of the stainless and offers numerous benefits:

- Easily Cleaned:** The Ceramiloc treatment creates a surface that simultaneously resists fingerprints and is easy to clean. Water spots, grease marks and more can be quickly wiped away. It also creates an "anti-graffiti" surface – even permanent marker is easily removed with a clean microfiber towel and water.
- Durable:** Ceramiloc-treated materials are abrasion- and scratch-resistant. The treatment is permanent, UV stable, and will not degrade or discolor over time.
- Environmentally Sound:** The Ceramiloc treatment is a no-VOC, water-based process. Because Ceramiloc surfaces are so easily maintained, cleaning solutions and maintenance are kept to a minimum.

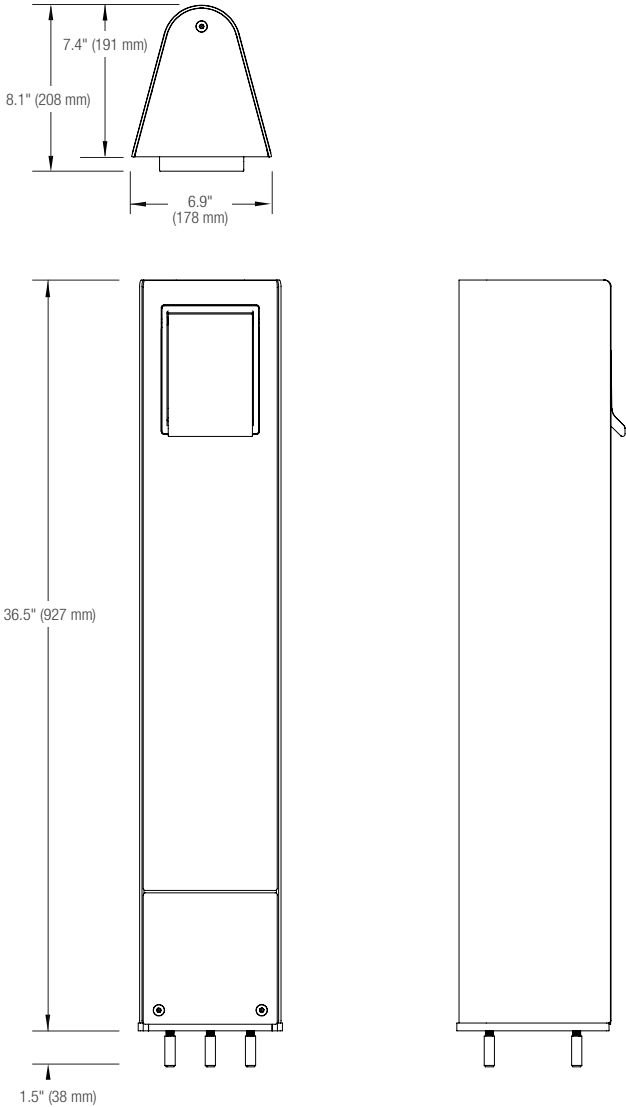
NOMINAL DIMENSIONS

53" TENZA CHARGING STATION



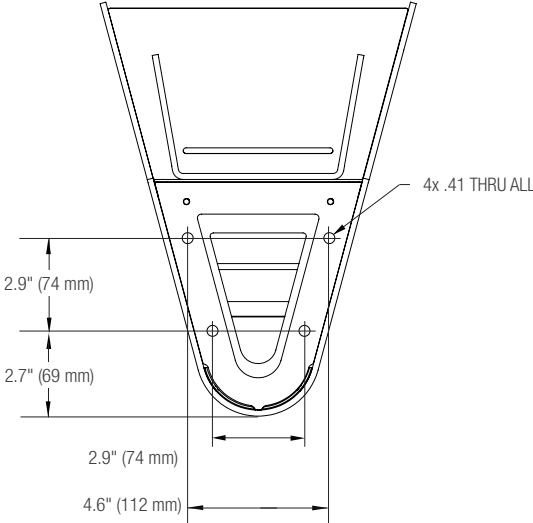
NOMINAL DIMENSIONS

36" TENZA CHARGING STATION

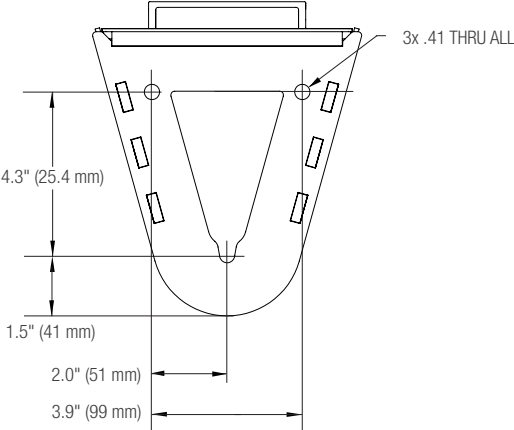


NOMINAL DIMENSIONS

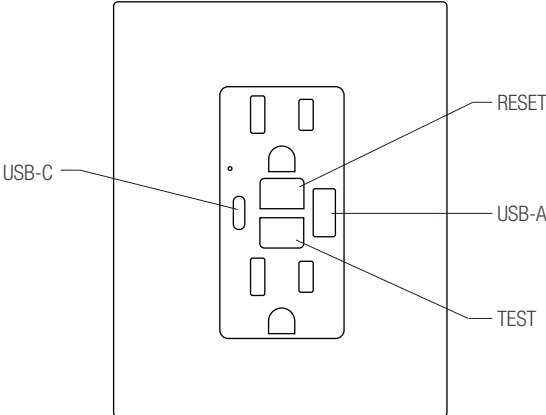
53" MOUNTING DETAILS



36" MOUNTING DETAILS



CHARGING RECEPTACLE DETAILS



CERTIFICATIONS

- UL 1773, UL 1310, and UL 50E Type 3R listed.

ENVIRONMENTAL CONSIDERATIONS

- Please refer to the Tenza Charging Station Environmental Data Sheets for detailed environmental impact information.
- Tenza Charging Station has high recycled content and is highly recyclable.
- Powdercoat finishes are no- or low-VOC, depending on color.
- Low maintenance.

MODEL NUMBERS AND DESCRIPTIONS

MODEL	DESCRIPTION
SATNZ-53-1G	Tenza Charging Station, 53", Stainless Steel/Satin with powdercoated aluminum shell, 1 garage
SATNZ-53-2G	Tenza Charging Station, 53", Stainless Steel/Satin with powdercoated aluminum shell, 2 garages
SATNZ-36-1G	Tenza Charging Station, 36", Stainless Steel/Satin, 1 garage

PRODUCT OPTIONS

The following options are available for an upcharge

Custom RAL powdercoat color	Add custom graphics
Add stainless steel mounting hardware	

LEAD TIME: 6 to 8 weeks. Shorter lead times may be available upon request. Please contact us to discuss your specific timing requirements.

PRICING: Please contact us at **800.451.0410** or **sales@forms-surfaces.com**. At Forms+Surfaces, we design, manufacture and sell our products directly to you. Our sales team is available to assist you with questions about our products, requests for quotes, and orders. Territory Managers are located worldwide to assist with the front-end specification and quoting process, and our in-house Project Sales Coordinators follow your project through from the time you place an order to shipment.

TO ORDER SPECIFY: Quantity, model and finish. Design Guides are available on our website to lead you through the specification process in a simple checkbox format.