

PROJECT NAME: _____

DATE: _____

JOB LOCATION: _____

COMPANY: _____

SPECIFIER: _____

PLEASE USE ADOBE READER OR ADOBE ACROBAT TO FILL OUT AND SAVE FORM. USING OTHER PROGRAMS COULD RESULT IN UNSAVED DATA.

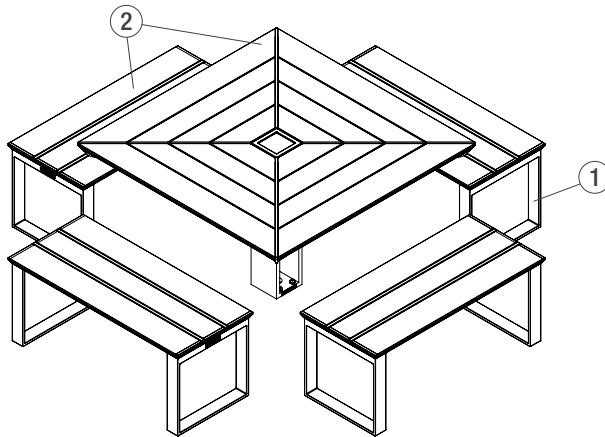
MODEL

QUANTITY	MODEL	
_____	STAPX-OBA	Apex Table, aluminum slats
_____	STAPX-OBC	Apex Table, FSC® 100% Cumaru hardwood slats
_____	STAPX-2BA	Apex Table Ensemble, two surface mount benches with narrow legs, aluminum slats
_____	STAPX-2BC	Apex Table Ensemble, two surface mount benches with narrow legs, FSC® 100% Cumaru hardwood slats
_____	STAPX-2BQA	Apex Table Ensemble, two freestanding benches with square legs, aluminum slats
_____	STAPX-2BQC	Apex Table Ensemble, two freestanding benches with square legs, FSC® 100% Cumaru hardwood slats
_____	STAPX-3BA	Apex Table Ensemble, three surface mount benches with narrow legs, ADA option, aluminum slats
_____	STAPX-3BC	Apex Table Ensemble, three surface mount benches with narrow legs, ADA option, FSC® 100% Cumaru hardwood slats
_____	STAPX-3BQA	Apex Table Ensemble, three freestanding benches with square legs, ADA option, aluminum slats
_____	STAPX-3BQC	Apex Table Ensemble, three freestanding benches with square legs, ADA option, FSC® 100% Cumaru hardwood slats
_____	STAPX-4BA	Apex Table Ensemble, four surface mount benches with narrow legs, aluminum slats
_____	STAPX-4BC	Apex Table Ensemble, four surface mount benches with narrow legs, FSC® 100% Cumaru hardwood slats
_____	STAPX-4BQA	Apex Table Ensemble, four freestanding benches with square legs, aluminum slats
_____	STAPX-4BQC	Apex Table Ensemble, four freestanding benches with square legs, FSC® 100% Cumaru hardwood slats

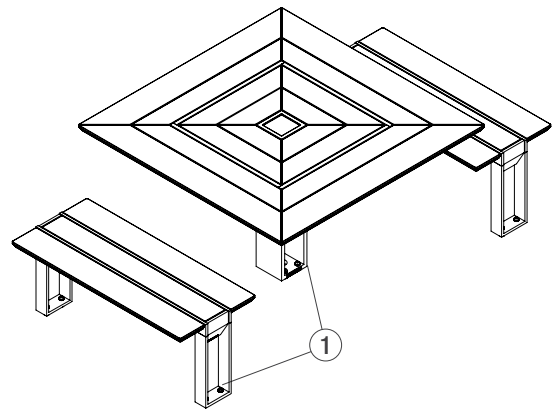
FSC License Code: FSC-C004453

OPTIONS

APEX TABLE ENSEMBLE, FOUR FREESTANDING BENCHES WITH SQUARE LEGS, ALUMINUM SLATS



APEX TABLE ENSEMBLE, TWO SURFACE MOUNT BENCHES WITH NARROW LEGS, FSC® 100% CUMARU HARDWOOD SLATS



Powdercoat Color Options
<i>Please select one option for each component below and write in specified color.</i>
<p>① Bench & Table Frames</p> <p>Standard Texture from F+S Powdercoat Chart _____</p> <p>Custom RAL Powdercoat Color <i>(subject to upcharge)</i> _____</p> <p>② Aluminum Slats <i>(when specified)</i></p> <p>Standard Texture from F+S Powdercoat Chart _____</p> <p>Custom RAL Powdercoat Color <i>(subject to upcharge)</i> _____</p>

Umbrella Hole	Surface Mount Hardware Options
<i>Please select one option below</i>	
<p>No Umbrella Hole</p> <p>Umbrella Hole and Sleeve <i>(subject to upcharge)</i></p> <p>Umbrella Hole for use with Soleris Sunshade <i>(subject to upcharge)</i></p>	<p>Add F+S stainless steel mounting hardware kit*</p> <p>Do not include F+S mounting hardware kit</p> <p><small>*Hardware is required for surface mount tables & chairs. Mounting kits can be purchased from F+S for an additional charge.</small></p>

NOTES

Please send completed forms to sales@forms-surfaces.com or contact us at **800.451.0410** with any questions.