

PROJECT NAME: _____

DATE: _____

JOB LOCATION: _____

COMPANY: _____

SPECIFIER: _____

PLEASE USE ADOBE READER OR ADOBE ACROBAT TO FILL OUT AND SAVE FORM. USING OTHER PROGRAMS COULD RESULT IN UNSAVED DATA.

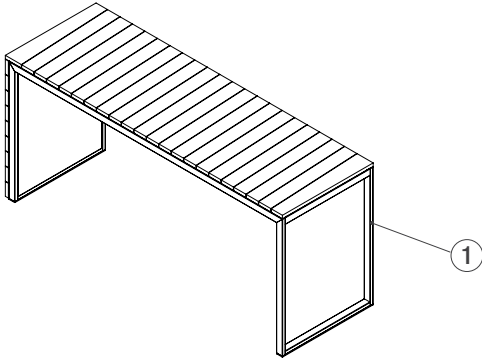
MODEL

QUANTITY	MODEL	
_____	STDUO-B3092-0-C	Duo Bar Table, FSC® 100% Cumaru hardwood slats
_____	STDUO-B3092-0-RO	Duo Bar Table, FSC® Mix Credit Thermally Modified Red Oak slats
_____	STDUO-T4092-0-C	Duo Table, FSC® 100% Cumaru hardwood slats
_____	STDUO-T4092-0-RO	Duo Table, FSC® Mix Credit Thermally Modified Red Oak slats
_____	STDUO-T4092-N-C	Duo Table Ensemble, FSC® 100% Cumaru hardwood slats
_____	STDUO-T4092-N-RO	Duo Table Ensemble, FSC® Mix Credit Thermally Modified Red Oak slats
_____	STDUO-T4092-NADA-C	Duo Table Ensemble, ADA option, FSC® 100% Cumaru hardwood slats
_____	STDUO-T4092-NADA-RO	Duo Table Ensemble, ADA option, FSC® Mix Credit Thermally Modified Red Oak slats

FSC License Code: FSC-C004453

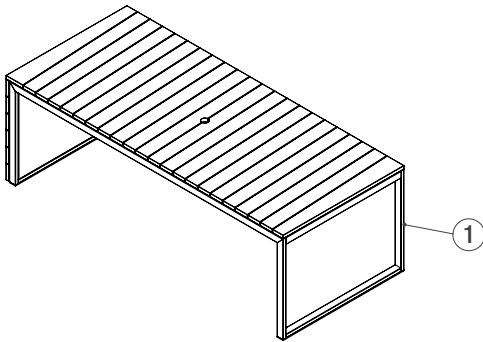
OPTIONS

DUO BAR TABLE

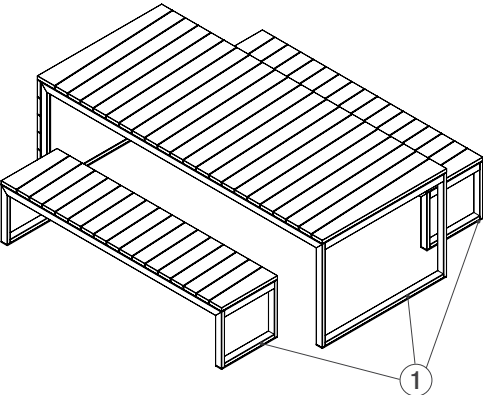


DUO TABLE

Shown with umbrella hole

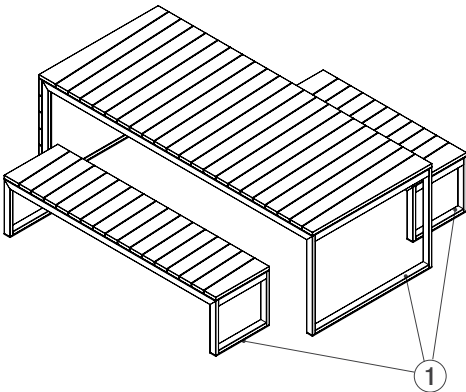


DUO TABLE ENSEMBLE



DUO TABLE ENSEMBLE

Shown in ADA option



Finish Options

Please select **one** option below and write in specified color.

① Table/Bench Frame

Polished Stainless Steel

Standard Texture from F+S Powdercoat Chart _____

Custom RAL Powdercoat Color (subject to upcharge) _____

Umbrella Hole

Available for all tables. Subject to upcharge.

Include

Do not include

Mounting Options

Freestanding

Surface Mount*

Add F+S stainless steel mounting hardware kit*

Do not include F+S mounting kit

**Hardware is required for surface mount benches. Mounting kits can be purchased from F+S for an additional charge.*

NOTES

Please send completed forms to sales@forms-surfaces.com or contact us at **800.451.0410** with any questions.