

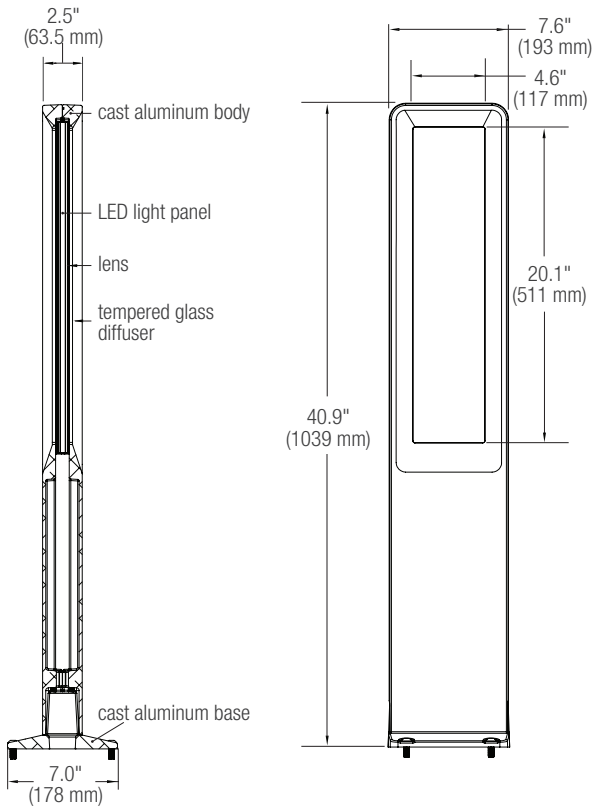
The **Tangent Bollard** is a narrow bollard with wide appeal; its slender profile and translucent lens give it a simple sophisticated look that will shine in any setting. Tangent Bollards offer high light output and durability, taking advantage of the latest in edge-lit technology without the size and bulk of more traditional bollards on the market today. This sleek design looks as good during the daytime as it does at night.

MATERIAL & CONSTRUCTION DETAILS

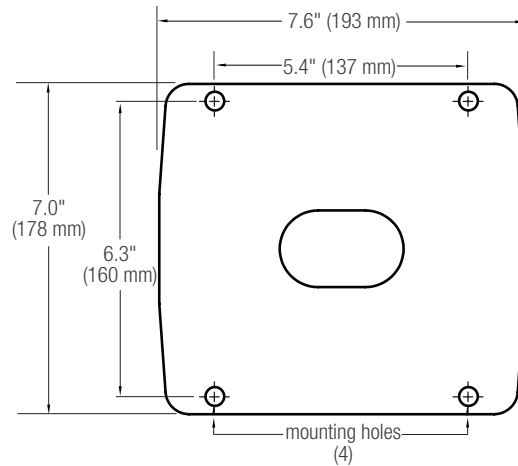
INSTALLATION & MAINTENANCE

CONSTRUCTION	LED LIGHT ENGINE & LENS	FINISH	INSTALLATION
<ul style="list-style-type: none"> Body and base are made from corrosion-resistant solid cast aluminum. An edge-lit LED light panel is framed by rectangular openings in the body; the light panel is visible from both sides of the fixture. LED light panel consists of LED light engine, lens, and diffuser. 	<ul style="list-style-type: none"> Custom LED light engine is powered by Osram chips. Edge-lit lens is made of a light-conducting PMMA with embedded diffusing particles that orient and emit light evenly across the face of the material. 	<ul style="list-style-type: none"> See the Forms+Surfaces Powdercoat Chart for details. Custom RAL colors are available for an upcharge. Due to the inherent nature of metal castings, gloss powdercoats are not offered for cast components. 	<ul style="list-style-type: none"> Surface mount using four tamper resistant bolts. Installation of a surge protector as part of each units wiring is recommended. Stainless steel hardware sold separately. Templates are available upon request.
DIFFUSER	DRIVER	WEIGHT	MAINTENANCE
<ul style="list-style-type: none"> A tempered glass diffuser, located on either side of the lens, has a very finely etched surface. 	<ul style="list-style-type: none"> LED electronic driver: input power is 90-305V, -30°C starting temperature. Driver has 0-10V dimming capabilities. LED driver certifications include: IP66 (waterproof), Class A sound rating. 	<ul style="list-style-type: none"> 30 lbs. 	<ul style="list-style-type: none"> Metal surfaces can be cleaned as needed using a soft cloth or brush with warm water and a mild detergent. Avoid abrasive cleaners.

NOMINAL DIMENSIONS



BASE PLATE MOUNTING DETAIL



LIGHT ENGINE DESCRIPTION

LED ENGINE	DESCRIPTION	COLOR TEMPERATURE	LUMINAIRE LUMENS*	B.U.G. RATING	STARTING TEMPERATURE °C
4000K LED	22W custom LED light engine	4,000K	294	B0-U3-G1	-30

*Luminaire lumens represents the absolute photometry for the luminaire, and indicates the lumens out of the entire fixture.

NOTE: Polar candela and isofootcandle plots can be found on the Tangent Bollard product page on our website.

CERTIFICATION

- LBTAN-LED is ETL and C-ETL listed for wet locations.

ENVIRONMENTAL CONSIDERATIONS

- Please refer to the Tangent Bollard Environmental Data Sheet for detailed environmental impact information.
- Metal components have a long life cycle and are 100% recyclable.
- Standard powdercoat finishes are no-VOC; non-standard powdercoat finishes are no- or low-VOC, depending on color.
- Low maintenance; easy to disassemble.

MODEL NUMBERS AND DESCRIPTIONS

MODEL	DESCRIPTION
LBTAN-LED	Tangent Bollard, LED

PRODUCT OPTIONS

The following options are available for an upcharge

Custom RAL powdercoat color	Add stainless steel mounting hardware
-----------------------------	---------------------------------------

LEAD TIME: 6 to 8 weeks. Shorter lead times may be available upon request. Please contact us to discuss your specific timing requirements.

PRICING: Please contact us at **800.451.0410** or **sales@forms-surfaces.com**. At Forms+Surfaces, we design, manufacture and sell our products directly to you. Our sales team is available to assist you with questions about our products, requests for quotes, and orders. Territory Managers are located worldwide to assist with the front-end specification and quoting process, and our in-house Project Sales Coordinators follow your project through from the time you place an order to shipment.

TO ORDER SPECIFY: Quantity, powdercoat color, and color temperature. Design Guides are available on our website to lead you through the specification process in a simple checkbox format.