

Slim Cleat is a slim profile mounting system designed to seamlessly secure loose lites of our VividGlass laminated glass to an existing substrate. Because every application is unique, we recommend contacting our project management team for help with your project's specific requirements.

PRODUCT FEATURES

- Suitable for interior applications.
- Glass shapes and sizes can vary according to specification and field requirements.
- Can be specified for walls, columns, and architectural accents or custom fabrications.
- Designed continuity throughout a space; coordinates with F+S materials.

SLIM CLEAT MOUNTING SYSTEM

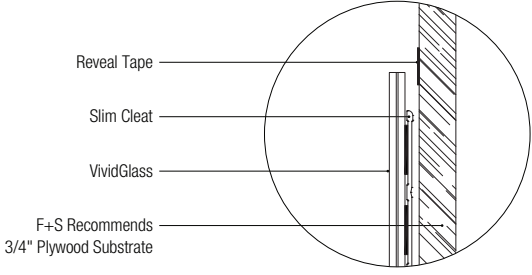
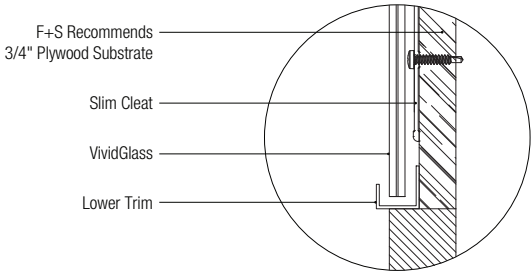
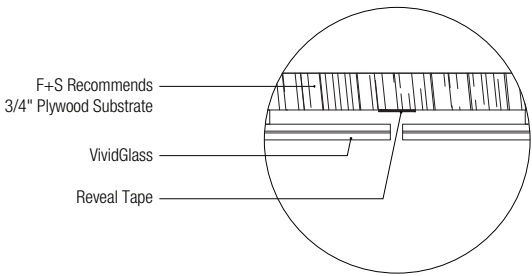
As described below and on the following pages, F+S can supply a slim profile mounting cleat system for use with VividGlass. The mounting cleat allows you to mount the glass to any existing wall without the use of through holes, eliminating the need for tempering. Please contact our project management team for help with your project-specific needs.

| SLIM PROFILE MOUNTING CLEAT | |
|--|--|
| <p>0.59 in (15.0 mm)</p> <p>0.25 in (6.35 mm)</p> <p>4.34 in (110.2 mm)</p> <p>4.34 in (110.2 mm)</p> <p>VividGlass</p> <p>Structural Glazing Tape</p> <p>Mounting Cleat</p> | <p>The mounting cleat is easy to install and arrives pre-mounted to your VividGlass selection. There is no visible profile from the front of the glass.</p> <p>The mounting cleat consists of two pieces of extruded aluminum: the one pre-mounted to the back of the glass; the other for attachment to the existing wall. The extrusion on the back of the glass is attached using structural glazing tape. It creates a channel to engage with the second extrusion, which is fastened to the existing wall using the appropriate mounting hardware.</p> <p>It is the installer's responsibility to determine the specific hardware that is appropriate for the existing wall or substrate.</p> |

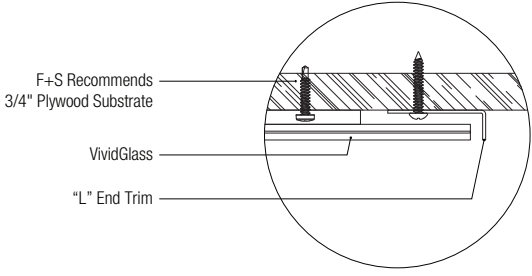
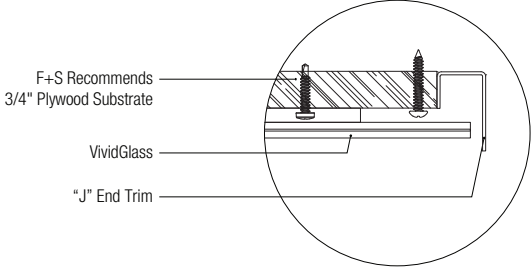
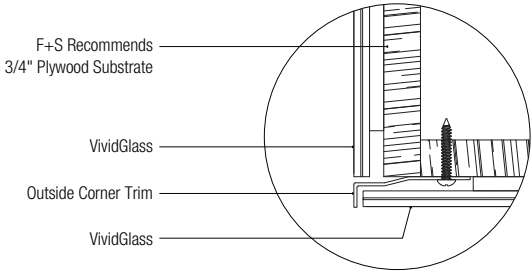
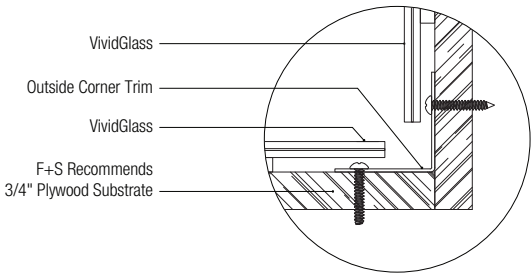
VIVIDGLASS OPTIONS

The Slim Cleat Mounting System is designed for use with VividGlass, our line of laminated glass. Glass options draw from various VividGlass families and offer an impressive array of design possibilities. Please refer to the individual VividGlass Product Data Sheets for swatches and additional information.

SYSTEM COMPONENTS

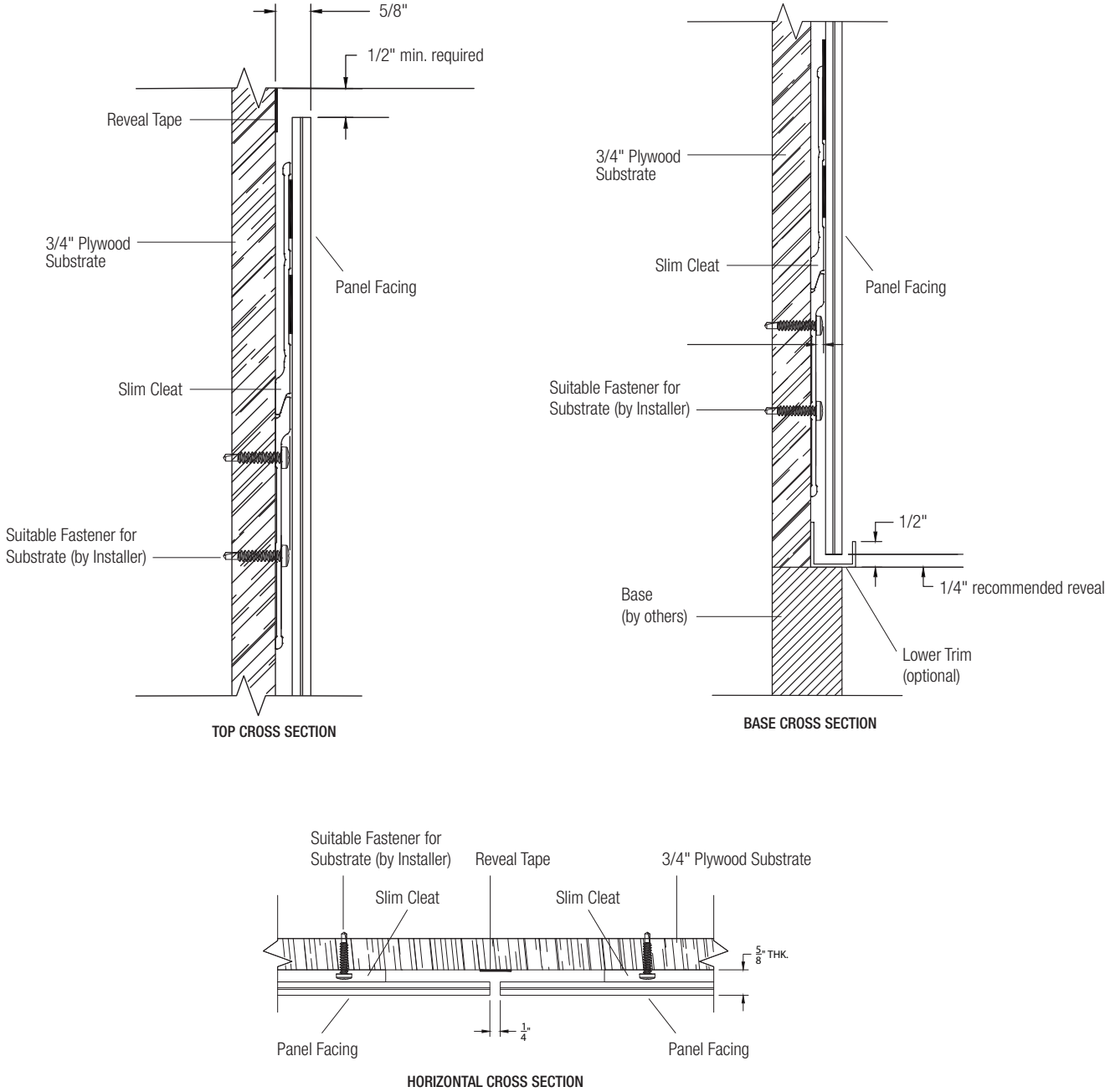
| | |
|--|--|
| <p>HEAD DETAILS</p> <p>Reveal Tape is optional and available in black.</p> |  <p>Reveal Tape</p> <p>Slim Cleat</p> <p>VividGlass</p> <p>F+S Recommends 3/4" Plywood Substrate</p> |
| <p>LOWER TRIM</p> <p>Lower Trim is optional and available in our standard Architectural Metal finishes.</p> |  <p>F+S Recommends 3/4" Plywood Substrate</p> <p>Slim Cleat</p> <p>VividGlass</p> <p>Lower Trim</p> |
| <p>PANEL REVEAL</p> <p>Panel reveals are recessed. Reveal strips are available in black.</p> |  <p>F+S Recommends 3/4" Plywood Substrate</p> <p>VividGlass</p> <p>Reveal Tape</p> |

SYSTEM COMPONENTS

| | |
|--|--|
| <p>END TRIM</p> <p>"L" End Trim is optional and available in our standard Architectural Metal finishes.</p> |  <p>F+S Recommends 3/4" Plywood Substrate</p> <p>VividGlass</p> <p>"L" End Trim</p> |
| <p>"J" End Trim is optional and available in our standard Architectural Metal finishes.</p> |  <p>F+S Recommends 3/4" Plywood Substrate</p> <p>VividGlass</p> <p>"J" End Trim</p> |
| <p>OUTSIDE CORNER TRIM</p> <p>Outside Corner Trim is optional and available in our standard Architectural Metal finishes.</p> |  <p>F+S Recommends 3/4" Plywood Substrate</p> <p>VividGlass</p> <p>Outside Corner Trim</p> <p>VividGlass</p> |
| <p>INSIDE CORNER TRIM</p> <p>Inside Corner Trim is optional and available in our standard Architectural Metal finishes.</p> |  <p>VividGlass</p> <p>Outside Corner Trim</p> <p>VividGlass</p> <p>F+S Recommends 3/4" Plywood Substrate</p> |

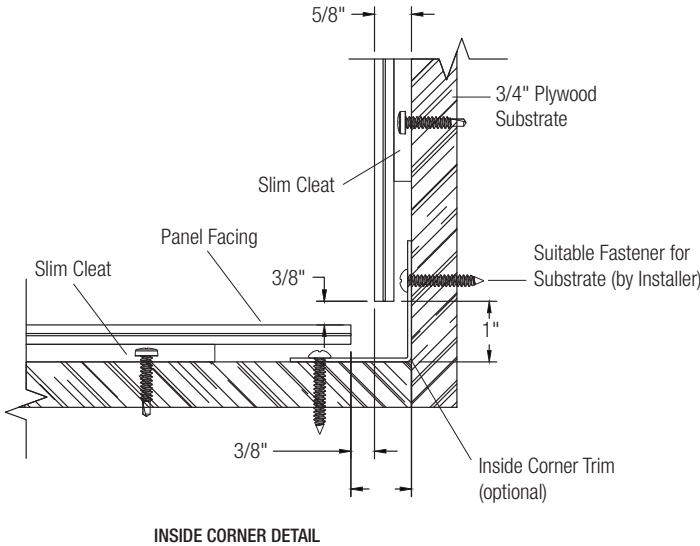
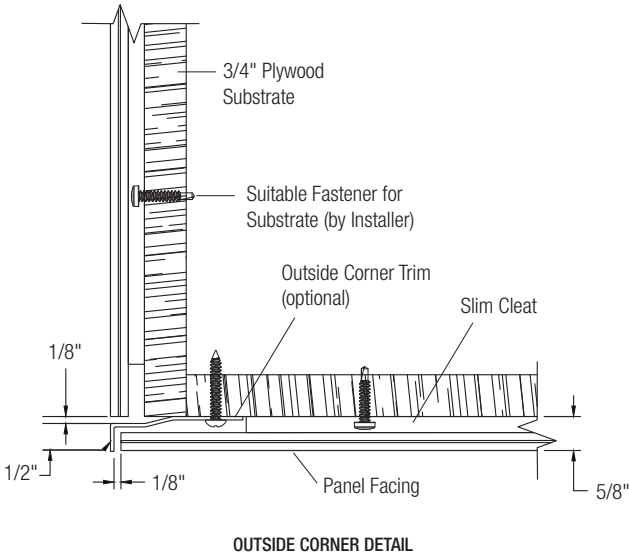
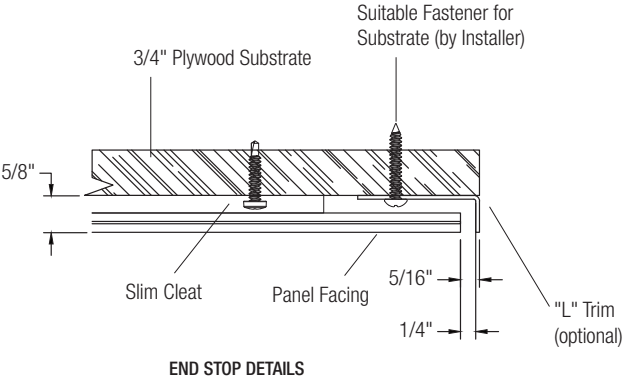
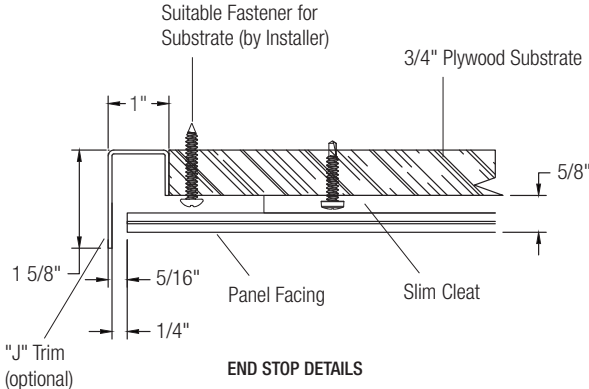
SYSTEM DETAILS

All trim details shown are optional.



SYSTEM DETAILS

All trim details shown are optional.



DELIVERY & INSTALLATION

| DELIVERY | INSTALLATION |
|--|---|
| <p>Glass should arrive in a single crate with factory applied Slim Cleats along with the matching Slim Cleat mounting system and specified trim, making it easy to organize materials on site.</p> <p>The crate arrives with components neatly organized and includes all the necessary fasteners and installation instructions.</p> | <p>A 1/2" minimum above top of glass is required for installation and/or removal of panel.</p> <p>The installer is responsible for determining the specific hardware that is appropriate for the existing wall or substrate. F+S recommends using 3/4" plywood substrate.</p> <p>Please contact our project management team for assistance with the details of your specific project needs.</p> |

CUSTOM

If your design requirements go beyond the standard Slim Cleat Mounting System or material and finish options, customized variations are available for an additional charge. Please call us to discuss your needs.

TECHNICAL SUPPORT & PROJECT MANAGEMENT

Because each project is unique, our knowledgeable support team is ready to help. Our technical sales, engineering, sustainability, and project management professionals regularly assist our clients worldwide. Please contact us at 800.451.0410 or sales@forms-surfaces.com to discuss your project.

HOW TO SPECIFY

Due to the specific nature of each project, please contact our sales team to further discuss your project needs at sales@forms-surfaces.com.