

PROJECT NAME: _____

DATE: _____

JOB LOCATION: _____

COMPANY: _____

SPECIFIER: _____

PLEASE USE ADOBE READER OR ADOBE ACROBAT TO FILL OUT AND SAVE FORM. USING OTHER PROGRAMS COULD RESULT IN UNSAVED DATA.

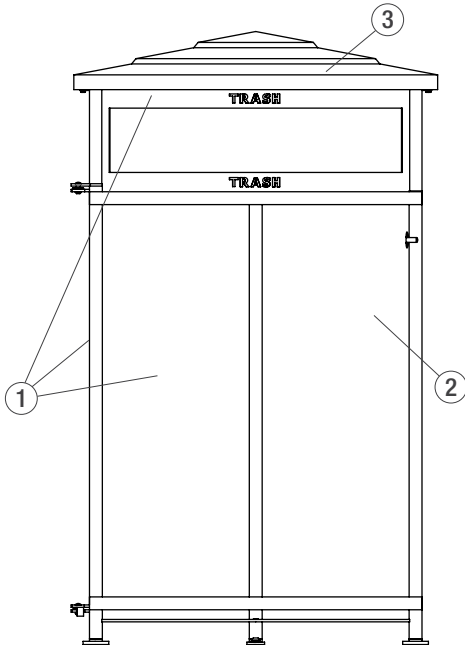
MODEL

QUANTITY	MODEL	
_____	SLURB-36TO	Urban Renaissance, 36 gallon, top opening litter receptacle
_____	SLURB-45TO	Urban Renaissance, 45 gallon, top opening litter receptacle
_____	SLURB-36SO	Urban Renaissance, 36 gallon, side opening litter receptacle
_____	SLURB-45SO	Urban Renaissance, 45 gallon, side opening litter receptacle
_____	SLURB-36RB	Urban Renaissance, 36 gallon, side opening litter & recycling receptacle with integrated recycle bin
_____	SLURB-36SS	Urban Renaissance, 36 gallon, side opening, split-stream litter & recycling receptacle
_____	SLURB-45SS	Urban Renaissance, 45 gallon, side opening, split-stream litter & recycling receptacle

OPTIONS

URBAN RENAISSANCE RECEPTACLE

45 gallon, side opening, split-stream shown



① Powdercoat Color Options

Please select **one** option below and write in specified color.

Standard Texture from F+S Powdercoat Color Chart

Custom RAL Powdercoat Color *(subject to upcharge)*

② Grillwork Options

Please select **one** option below.

Updrop

Vista

Vertical

③ Lid Options

Sand-filled ash lid

Yes

No

NOTE: Option **only** available for side-opening receptacles

Latch Options	
<i>Please select one option below.</i>	
Standard lift latch	Tool-operated security latch

Mounting Options
Freestanding with levelers Surface Mount* Add F+S stainless steel mounting hardware kit* Do not include F+S mounting hardware kit
<i>*Hardware is required for surface mount litter receptacles. Mounting kits can be purchased from F+S for an additional charge.</i>

NOTES

Please send completed forms to sales@forms-surfaces.com or contact us at **800.451.0410** with any questions.