

PROJECT NAME: \_\_\_\_\_

DATE: \_\_\_\_\_

JOB LOCATION: \_\_\_\_\_

COMPANY: \_\_\_\_\_

SPECIFIER: \_\_\_\_\_

PLEASE USE ADOBE READER OR ADOBE ACROBAT TO FILL OUT AND SAVE FORM. USING OTHER PROGRAMS COULD RESULT IN UNSAVED DATA.

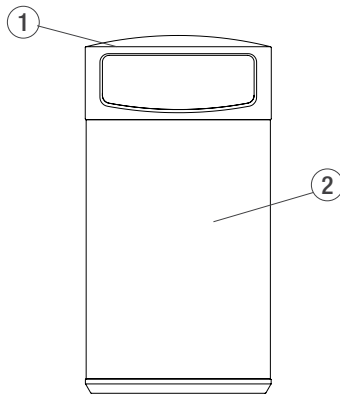
**MODEL**

**QUANTITY MODEL**

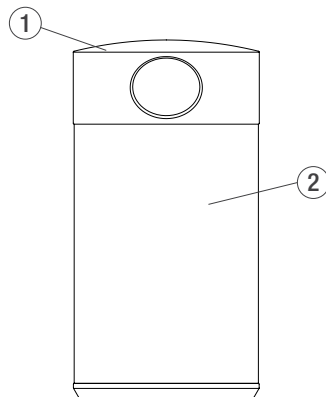
_____	SLUNN-24T10	Universal Receptacle, 24 gallon, top opening, 10" diameter opening
_____	SLUNN-24TS	Universal Receptacle, 24 gallon, top opening, split-stream
_____	SLUNN-24SSS	Universal Receptacle, 24 gallon, side opening, standard opening / standard opening
_____	SLUNN-24SSR	Universal Receptacle, 24 gallon, side opening, standard opening / round opening

**OPTIONS**

**UNIVERSAL RECEPTACLE, 24 GALLON,  
SIDE OPENING, STANDARD OPENING**



**UNIVERSAL RECEPTACLE, 24 GALLON,  
SIDE OPENING, ROUND OPENING**



①

---

**Lid Material Options**

*Please select **one** option below.*

Polyethylene, Slate-colored  
Stainless Steel, Satin finish\*

*\*Only available for top opening, 10" diameter opening lid.*

②

---

**Body Finish & Pattern Options**

*Place an "x" in one box for your body finish/pattern combination.*

	Patterns			
	No Pattern	Horizon Eco-Etch	Dune Impression	Fade Perforation
<b>Finishes</b>				
Stainless Steel, Sandstone				
Stainless Steel, Seastone				
Stainless Steel, Linen				
Stainless Steel, Diamond				
Stainless Steel, Satin				

<b>Lid Tether</b>		<b>Number of Liners (side opening receptacles)</b>	
<i>Please select <b>one</b> option below.</i>		<i>Please select <b>one</b> option below.</i>	
Yes	No	Two half liners	One full liner

**Mounting Options**

Freestanding with levelers

Surface Mount\*

Add F+S stainless steel mounting hardware kit\*

Do not include F+S mounting hardware kit

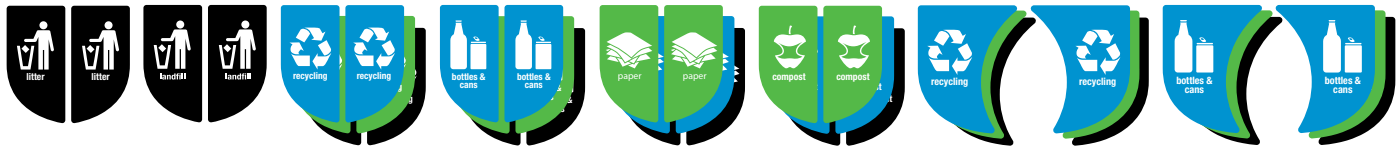
\*Hardware is required for surface mount litter receptacles. Mounting kits can be purchased from F+S for an additional charge.

**GRAPHIC EXAMPLES**

**Top-Opening Graphics**



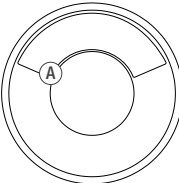
**Side-Opening Graphics**



**Graphic Message & Background Color Options**

Please select a message and color for Graphic A for single-stream models, or both Graphic A and B for split-stream models. **NOTE:** All letters and symbols are white; specified color is for the graphic's background. Please see Page 2 for graphic examples.

**Top opening, 10" diameter opening**



**Graphic A Message**

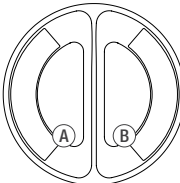
no graphic	bottles & cans
litter*	paper
landfill*	compost
recycling	

**Graphic A Background Color**

black
blue
green

\*Note: Litter and Landfill graphics are only available in black background color.

**Top opening, split-stream**



**Graphic A Message**

no graphic	bottles & cans
litter*	paper
landfill*	compost
recycling	

**Graphic A Background Color**

black
blue
green

**Graphic B Message**

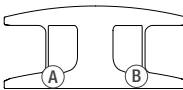
no graphic	bottles & cans
litter*	paper
landfill*	compost
recycling	

**Graphic B Background Color**

black
blue
green

\*Note: Litter and Landfill graphics are only available in black background color.

**Side opening, standard opening / standard opening**



**Graphic A Message**

no graphic	bottles & cans
litter*	paper
landfill*	compost
recycling	

**Graphic A Background Color**

black
blue
green

**Graphic B Message**

no graphic	bottles & cans
litter*	paper
landfill*	compost
recycling	

**Graphic B Background Color**

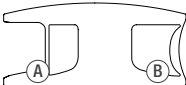
black
blue
green

\*Note: Litter and Landfill graphics are only available in black background color.

**Graphic Message & Background Color Options (continued)**

Please select a message and color for Graphic A for single-stream models, or both Graphic A and B for split-stream models. **NOTE:** All letters and symbols are white; specified color is for the graphic's background. Please see Page 2 for graphic examples.

**Side opening, standard opening / round opening**



**Graphic A Message**

- no graphic      bottles & cans
- litter\*          paper
- landfill\*        compost
- recycling

**Graphic A Background Color**

- black
- blue
- green

**Graphic B Message**

- no graphic
- recycling
- bottles & cans

**Graphic B Background Color**

- black
- blue
- green

\*Note: Litter and Landfill graphics are only available in black background color.

**NOTES**

Please send completed forms to [sales@forms-surfaces.com](mailto:sales@forms-surfaces.com) or contact us at 800.451.0410 with any questions.