

PROJECT NAME: \_\_\_\_\_

DATE: \_\_\_\_\_

JOB LOCATION: \_\_\_\_\_

COMPANY: \_\_\_\_\_

SPECIFIER: \_\_\_\_\_

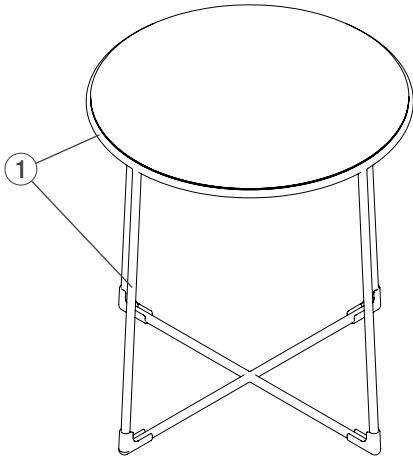
PLEASE USE ADOBE READER OR ADOBE ACROBAT TO FILL OUT AND SAVE FORM. USING OTHER PROGRAMS COULD RESULT IN UNSAVED DATA.

**MODEL**

QUANTITY	MODEL	
_____	STLIN-S	Linia Side Table

**OPTIONS**

**LINIA SIDE TABLE WITH NO TABLE TOP PERFORATION**



**① Frame Finish Options**

Please select **one** option below and write in powdercoat color if applicable.

Stainless Steel Finish  
Electropolished

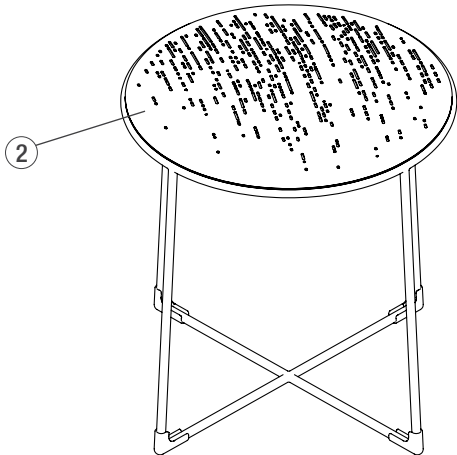
Powdercoat Color Options  
Standard Texture from F+S Powdercoat Color Chart

\_\_\_\_\_

Custom RAL Powdercoat Color (subject to upcharge)

\_\_\_\_\_

**LINIA SIDE TABLE WITH SWEEP TABLE TOP PERFORATION**



**② Table Top Powdercoat Options**

Please select **one** option below and write in specified color.

Standard Texture from F+S Powdercoat Color Chart

\_\_\_\_\_

Custom RAL Powdercoat Color (subject to upcharge)

\_\_\_\_\_

**Table Top Perforation Options**

Please select **one** option below.

Sweep Perforation

No Perforation

NOTES

Please send completed forms to [sales@forms-surfaces.com](mailto:sales@forms-surfaces.com) or contact us at **800.451.0410** with any questions.