

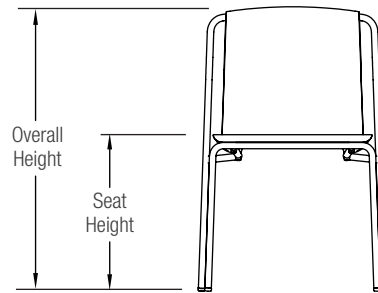
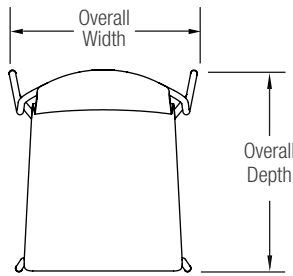
Factor Chairs and Tables unite clean lines, simple geometry, and go-anywhere versatility. This highly configurable family plays on the idea that multiple individual factors contribute to making a whole. In this case, you can select and combine different Factor factors in different ways to meet project-specific goals. A variety of chair materials and styles, square tables with a choice of wood or aluminum tops, and standard and custom powdercoat colors are among the options that make customization easy. In addition, the line's refined good looks and solid construction add up to beautifully durable designs that can be used across a property – from indoors to outdoors and anywhere in between.

MATERIAL & CONSTRUCTION DETAILS

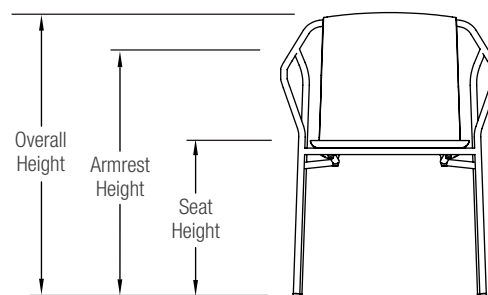
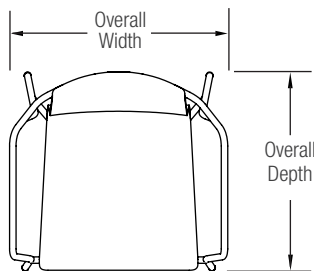
INSTALLATION & MAINTENANCE

FRAME	SEAT & BACK CONFIGURATION OPTIONS	INSTALLATION
<ul style="list-style-type: none"> Frames and optional armrests are powdercoated tubular stainless steel. See the Forms+Surfaces Powdercoat Chart for details. Custom RAL colors are available for an upcharge. Due to the inherent nature of metal castings, gloss powdercoats are not offered for cast components. 	<ul style="list-style-type: none"> Chairs with seat and back of powdercoated formed aluminum are available with or without Verve perforation pattern. Chairs with powdercoated cast aluminum back are available with seat slats of FSC® 100% Cumaru or FSC® 100% Teak hardwood. Hardwood slats have a natural oiled finish that enhances the wood's rich color. (FSC License Code: FSC-C004453) 	<ul style="list-style-type: none"> Factor Chairs are freestanding with nylon glides.
STACKING		MAINTENANCE
<ul style="list-style-type: none"> Chairs can generally be stacked to a height of four units, depending on surface levelness, winds, and other conditions. Chairs with and without arms can be stacked together. 		<ul style="list-style-type: none"> Metal surfaces can be cleaned as needed using a soft cloth or brush with warm water and a mild detergent. Avoid abrasive cleaners. Cumaru and Teak hardwood can be maintained by re-oiling as needed with Penofin® hardwood finish or similar products.

NOMINAL DIMENSIONS

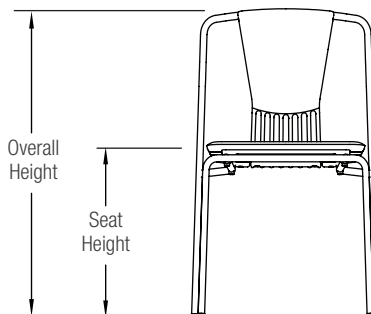
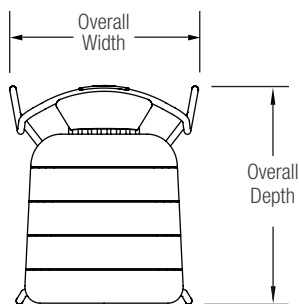


MODEL	OVERALL WIDTH	OVERALL DEPTH	OVERALL HEIGHT	SEAT HEIGHT	WEIGHT
SCFAC-CAL	21.9" (556mm)	23.1" (567 mm)	33" (838 mm)	18.1" (460 mm)	16.8 lbs (7.6 kg)

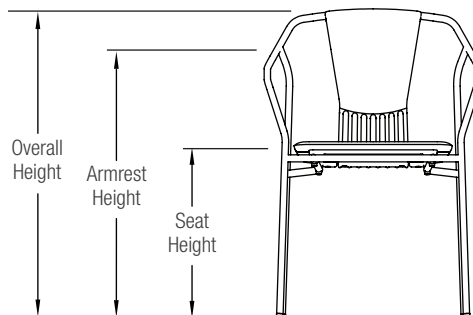
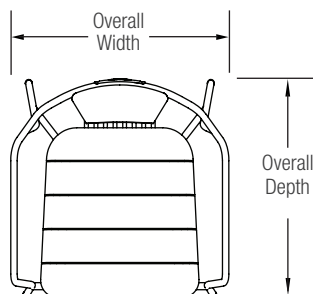


MODEL	OVERALL WIDTH	OVERALL DEPTH	OVERALL HEIGHT	SEAT HEIGHT	ARMREST HEIGHT	WEIGHT
SCFAC-CAL-A	25.3" (643 mm)	23.2" (589 mm)	33" (838 mm)	18.1" (460 mm)	26.2" (666 mm)	18.8 lbs (8.5 kg)

NOMINAL DIMENSIONS CONTINUED

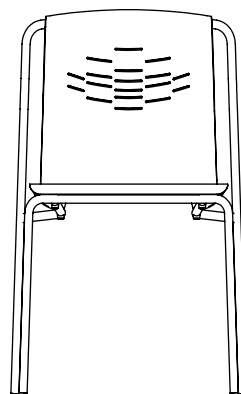
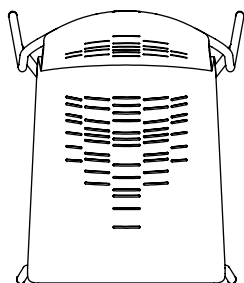


MODEL	OVERALL WIDTH	OVERALL DEPTH	OVERALL HEIGHT	SEAT HEIGHT	WEIGHT
SCFAC-CAC	21.9" (556mm)	23.1" (567 mm)	32.8" (833 mm)	18.6" (460 mm)	17.9 lbs (8.1)
SCFAC-CAT	21.9" (556mm)	23.1" (567 mm)	32.8" (833 mm)	18.6" (460 mm)	17.9 lbs (8.1)



MODEL	OVERALL WIDTH	OVERALL DEPTH	OVERALL HEIGHT	SEAT HEIGHT	ARMREST HEIGHT	WEIGHT
SCFAC-CAC-A	25.3" (643 mm)	23.1" (567 mm)	32.8" (833 mm)	18.6" (460 mm)	26.2" (666 mm)	18.8 lbs (8.5 kg)
SCFAC-CAT-A	25.3" (643 mm)	23.1" (567 mm)	32.8" (833 mm)	18.6" (460 mm)	26.2" (666 mm)	18.8 lbs (8.5 kg)

VERVE PERFORATION PATTERN - ALUMINUM SEAT AND BACK



CERTIFICATIONS

- Factor Chairs with formed aluminum seats are ANSI/BIFMA X5 1-2017 and UL 4041 compliant.

MODEL NUMBERS AND DESCRIPTIONS

MODEL	DESCRIPTION
SCFAC-CAL	Factor Chair, formed aluminum seat and back, no arms
SCFAC-CAL-A	Factor Chair, formed aluminum seat and back, with arms
SCFAC-CAC	Factor Chair, cast aluminum back with FSC® 100% Cumaru slat seat, no arms
SCFAC-CAC-A	Factor Chair, cast aluminum back with FSC® 100% Cumaru slat seat, with arms
SCFAC-CAT	Factor Chair, cast aluminum back with FSC® 100% Teak slat seat, no arms
SCFAC-CAT-A	Factor Chair, cast aluminum back with FSC® 100% Teak slat seat, with arms

PRODUCT OPTIONS

The following options are available for an upcharge

Custom RAL powdercoat color

LEAD TIME: 6 to 8 weeks. Shorter lead times may be available upon request. Please contact us to discuss your specific timing requirements.

PRICING: Please contact us at **800.451.0410** or **sales@forms-surfaces.com**. At Forms+Surfaces, we design, manufacture and sell our products directly to you. Our sales team is available to assist you with questions about our products, requests for quotes, and orders. Territory Managers are located worldwide to assist with the front-end specification and quoting process, and our in-house Project Sales Coordinators follow your project through from the time you place an order to shipment.

TO ORDER SPECIFY: Quantity, model, powdercoat color(s), and freestanding or surface mount. Design Guides are available on our website to lead you through the specification process in a simple checkbox format.