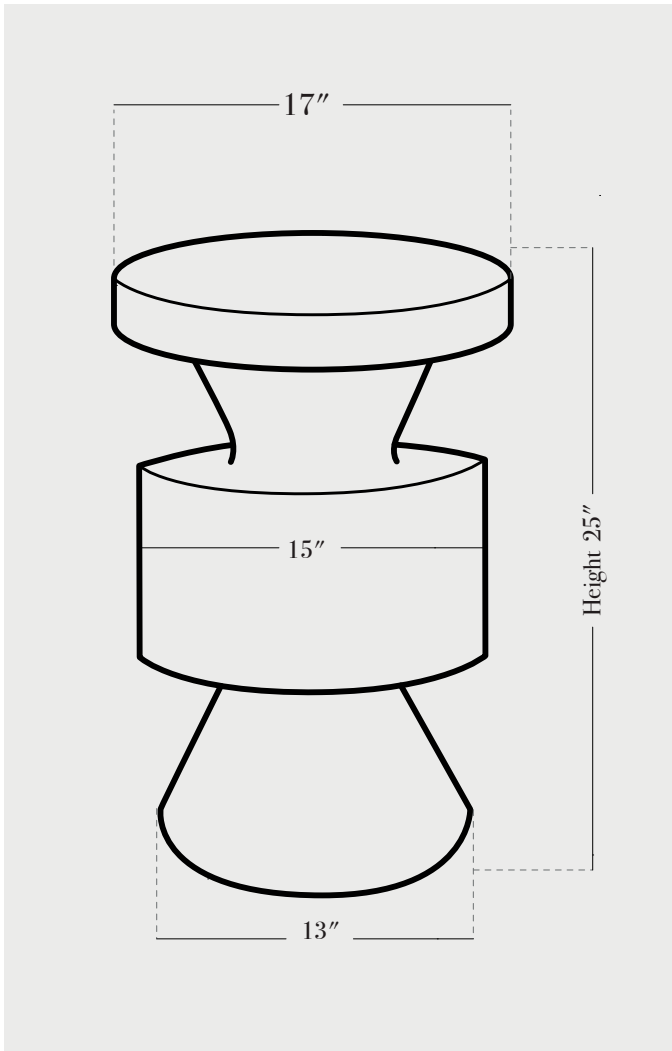




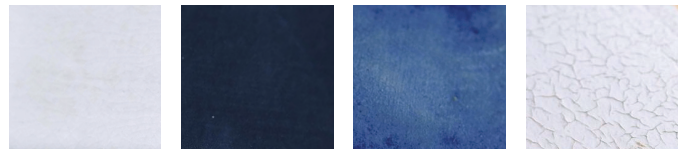
Arthur side table 25 inches



PRODUCT SPECIFICATIONS

BASE FINISHES

stone, anthracite, lapis, terrasig



BASE DETAILS

glazed ceramic, 50 - 60 lbs. depending on size

PRODUCTION LEAD TIME

12-14 weeks

NOTES

This item is handmade, and may exhibit variability within the same piece. We do our best to maintain a consistent product, but honor the handmade craftsmanship. Dimensions may vary within an inch.
