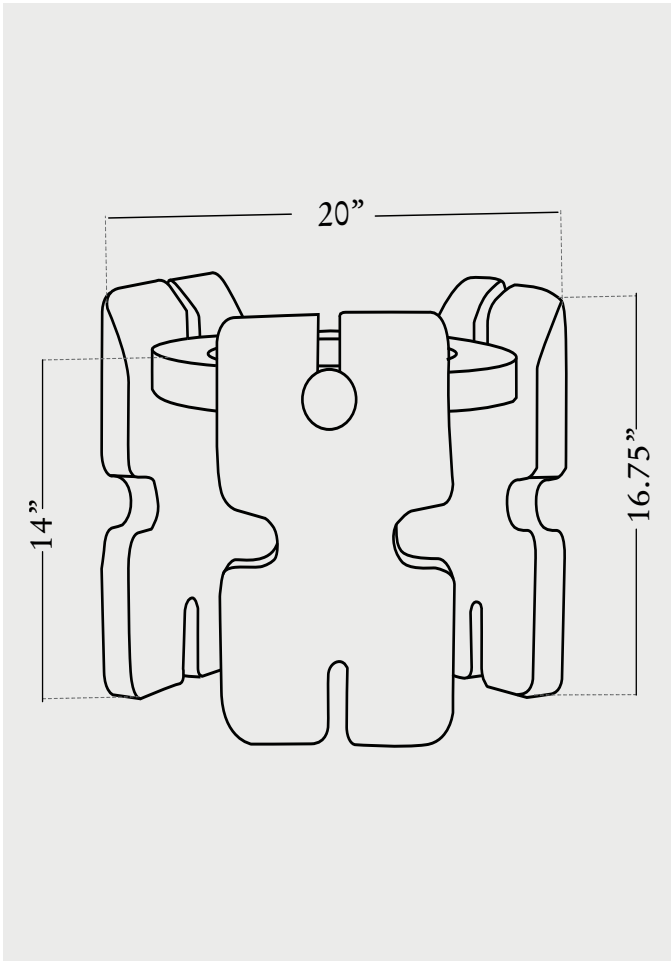




# Talisman Side Table



---

## PRODUCT SPECIFICATIONS

---

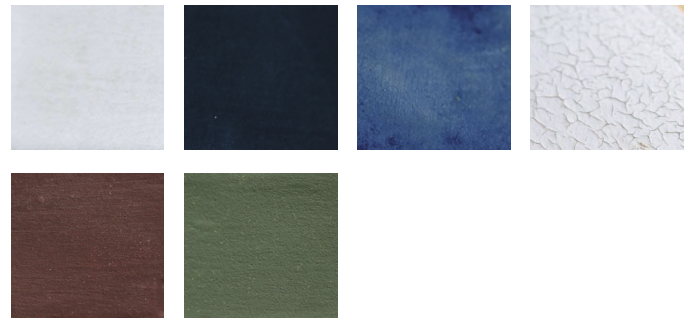
### CERAMIC LEGS

terrasig finish, 25 lbs each

---

### CERAMIC TOP INLAY

stone, anthracite, lapis, terrasig, chestnut, ivy



---

### WOOD DETAILS

oiled white oak or ebonized oak

---

### METAL DETAILING

unfinished brass

---

### PRODUCTION LEAD TIME

12-14 weeks

---

### NOTES

---

1. This item is handmade, and may exhibit variability within the same piece. We do our best to maintain a consistent product, but honor the handmade craftsmanship. Dimensions may vary within an inch.

---