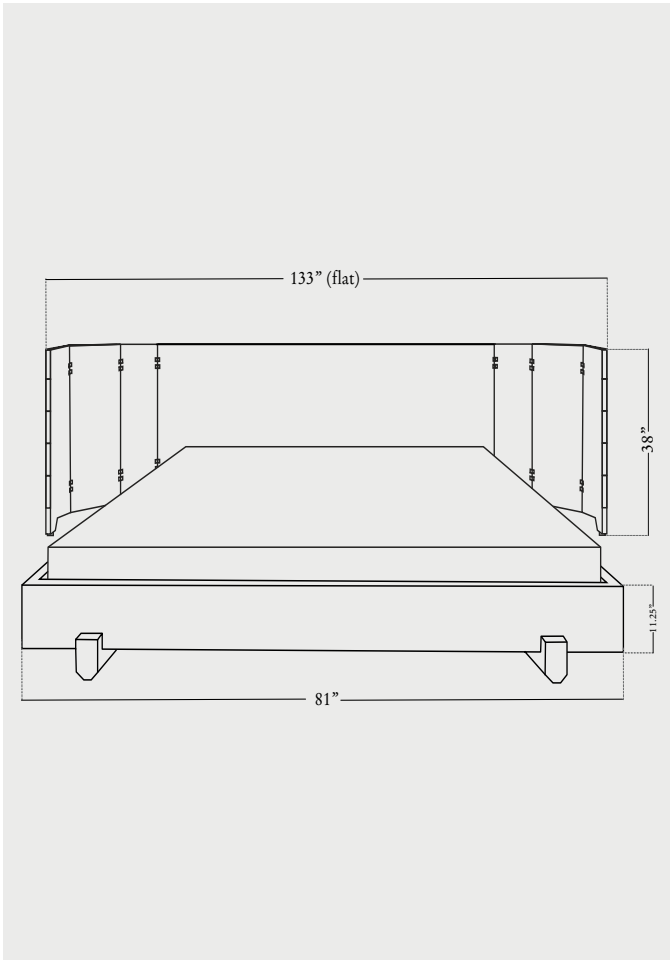




# Paravent Bed

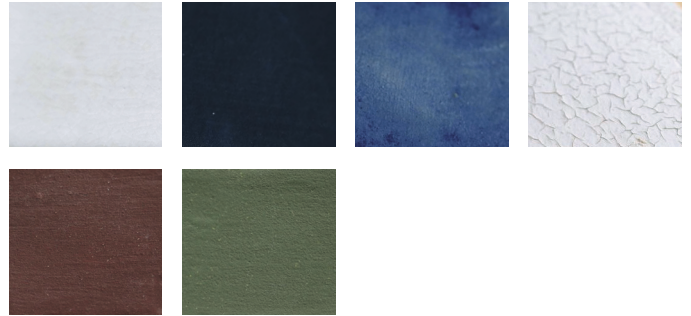


## PRODUCT SPECIFICATIONS

---

### CERAMIC DETAILS

stone, anthracite, lapis, terrasig, chestnut, ivy



### WOOD DETAILS

oiled white oak or ebonized oak

---

### METAL HINGES

unfinished brass

---

### PRODUCTION LEAD TIME

12-14 weeks

---

### NOTES

---

1. This item is handmade, and may exhibit variability within the same piece. We do our best to maintain a consistent product, but honor the handmade craftsmanship. Dimensions may vary within an inch.

---